

Installation/Owners Manual

Ranger® I Single Swing Gate Operator



Ranger® II Dual Swing Gate Operator



MADE IN THE USA



Heavy Duty

Battery Powered

Solar or AC Charged

WARNING

TO REDUCE THE RISK OF INJURY OR DEATH

1. **READ AND FOLLOW ALL INSTRUCTIONS**
2. Study the entire Safety Section paying particularly close attention to the entrapment zones and be aware of these areas not only during use but also during any adjustments to the unit.
3. Do not attempt to enter the gate area while the gate is moving. Wait until the gate comes to a complete stop.
4. Never let children operate or play with gate controls or any other activation device. Keep remote control away from children.
5. **DO NOT ALLOW CHILDREN TO PLAY IN THE AREA OF THE GATE.**
6. Do not allow anyone to ride on the gate.
7. Always keep people and objects away from the gate.
8. **NO ONE SHOULD CROSS THE PATH OF A MOVING GATE.**
9. Operate the gate only when it is fully visible, free of persons or obstructions, and properly adjusted.
10. Do not attempt to “beat the gate” while the gate is opening or closing. This is extremely dangerous.
11. Test gate operator monthly. The gate must stop and reverse directions upon contacting a rigid object or when the secondary entrapment device is activated.
12. After all adjustments have been made to the sensitivity (current sense) circuit, secondary entrapment devices and all other external devices installed, the safety devices must be checked again. Failure to adjust and retest the gate operator can increase the risk of injury or death.
13. Verify that the emergency release (manual release) pin can be easily removed.
14. **KEEP GATES PROPERLY MAINTAINED.** Tighten all bolts and grease hinges and pivot points.
15. **THE ENTRANCE IS TO BE USED BY VEHICLES ONLY.** Pedestrians must use a separate entrance.
16. All safety features required by UL 325 are incorporated in the capabilities of all USAutomatic control boards and should be utilized, including but not limited to, safety edges, photo electric eyes, reverse sensing.
17. Test the current sense feature and all safety devices regularly to insure correct operation.
18. All control stations should be located at least 6 feet from any moving part of the gate or operator.
19. Do not ever install any control device where a user will be tempted to reach through the gate or fence to activate a gate.
20. Do not attempt to completely seal the control box. Battery needs some air flow.
21. **SAVE THESE INSTRUCTIONS!!**



RANGER Series AUTOMATIC GATE OPERATORS

The Ranger Gate Operator is intended to be installed on vehicular Class I, II, III or IV gates as defined by the current UL 325 standard (the standard that regulates gate operator safety).

A monitored external entrapment device is required for UL compliant installation per UL325.

All USAutomatic control boards can identify the following external entrapment devices:

1. Contact edge 10K resistor presence
2. Photo Eye N/C contact switching

Maximum gate load not to exceed 400 pounds and 13 feet in length.

Solar Friendly

The Ranger system design and the accessories recommended are all Solar Friendly meaning that they require the least amount of energy possible to perform the job they were designed to do. The solar option allows you to install the gate operator in remote areas or in applications where you prefer to be solar charged. Solar charging provides additional isolation from lightning that might damage the unit via the AC power needed for the transformer.

BATTERY REQUIRED FOR OPERATION *(Battery not included)*

Recommended battery type:

Battery 12-volt, Group U-1; sealed (maintenance free); 30 amp hour minimum.
Using a smaller amp hour battery may cause damage to the charging system.
The wiring harness has two 1/4" ring terminals to connect to battery posts.

CAUTION: Do not install wet cell battery into control box; this type of battery usually has removable caps used for service and will vent into control box.

The battery is charged using the 120V AC Powered Transformer (PN #520004) **OR** the Solar Panel kit (PN 520025). Typically only one panel will be required. The Ranger gate operator is capable of a high number of cycles per day. For information on what you can expect from a solar charged system see the solar charging section of this manual. Accessories that are added to your gate operator must be solar friendly accessories and they will be identified as such.

PLEASE READ THE ENTIRE MANUAL CAREFULLY PRIOR TO INSTALLATION.

© USAutomatic, LTD, 2017 rev. A

All rights reserved. No part of this manual may be reproduced by any means without the expressed written consent of the publisher.

USAutomatic Part # 720210



Understanding Current UL325 & ASTM F2200-14 Requirements

Effective January 12, 2016 a vehicular gate operator or vehicular barrier (arm) operator shall have provisions for, or be supplied with, at least two independent entrapment protection means as specified in current UL325 standard Table 31.1. At installation, both entrapment protection devices must be installed and operational before gate operation is allowed.

USAutomatic control boards utilize Type A (Inherent entrapment protection system) as the first entrapment protection means identified. This is designed into the control boards for all USAutomatic operators. The second entrapment identified must be a monitored Type B1 or Type B2 device that is UL325 compliant and monitored.

Type B1 - Non-contact sensor (photoelectric sensor or the equivalent). Identified as Normally Closed N/C contact switching.

Type B2 - Contact sensor (edge device or the equivalent). Identified as 10K resistor installed for presence monitoring.

The entrapment zones illustration defines the most common entrapment areas. It is the responsibility of the installer to identify these entrapment areas and install the UL325 compliant monitored entrapment device or devices to protect each area identified.

When installing a USAutomatic control board (part # 500510) in a system manufactured before Jan. 12, 2016 that is not being upgraded to meet the current UL325 standard the Pre 2016 jumper must be installed into J5 terminal block for proper operation.



USAutomatic recommends upgrading all systems to current UL325 standards

UL325 identifies four different classes of gate operators.

These classes are:

RESIDENTIAL VEHICULAR GATE OPERATOR – CLASS I

A vehicular gate operator (or system) intended for use in garages or parking areas associated with a residence of one-to four single families.

COMMERCIAL/GENERAL ACCESS VEHICULAR GATE OPERATOR – CLASS II

A vehicular gate operator (or system) intended for use in a commercial location or building such as a multi-family housing unit (five or more single family units), hotel, garages, retail store, or other buildings accessible by or servicing the general public.

INDUSTRIAL/LIMITED ACCESS VEHICULAR GATE OPERATOR – CLASS III

A vehicular gate operator (or system) intended for use in an industrial location or building such as a factory or loading dock area or other locations not accessible by or intended to service the general public.

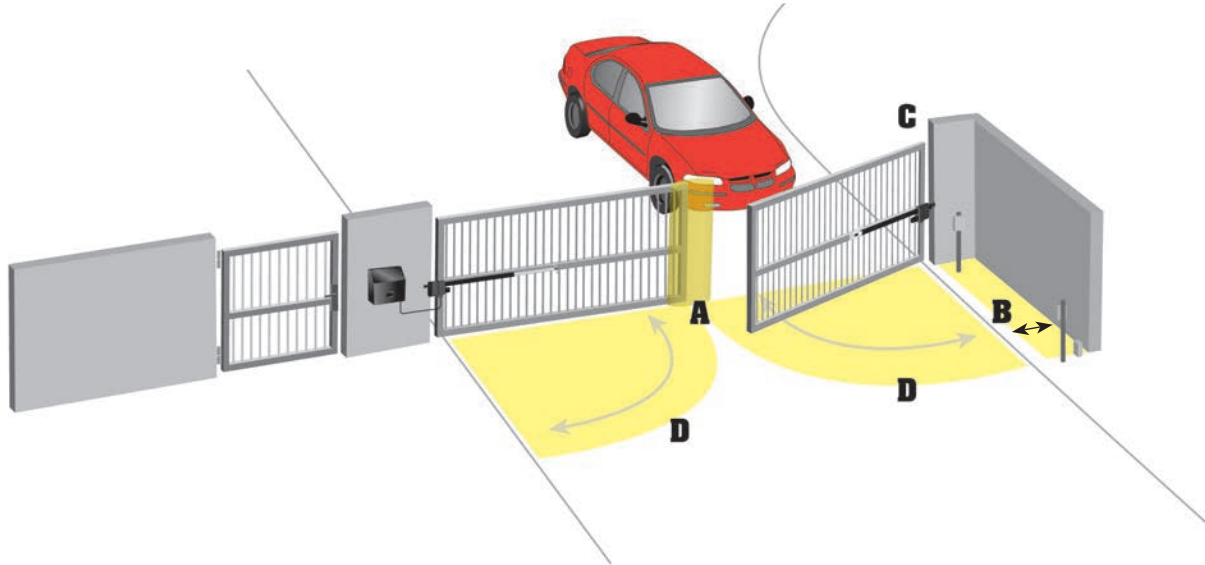
RESTRICTED ACCESS VEHICULAR GATE OPERATOR – CLASS IV

A vehicular gate operator (or system) intended for use in a guarded industrial location or building such as an airport security area or other restricted access locations not servicing the general public, in which unauthorized access is prevented via supervision by security personnel.

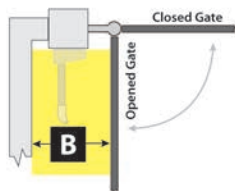
Ranger gate operators are intended for use on Class I, II, III, & IV vehicular gates.

ENTRAPMENT ZONES

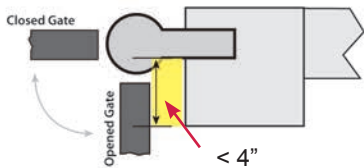
The illustrations below are a guide to help identify entrapment areas for swing gate installations that must be protected. Other entrapment areas may exist and must be identified by the installer and protected by the appropriate entrapment protection device for the situation.



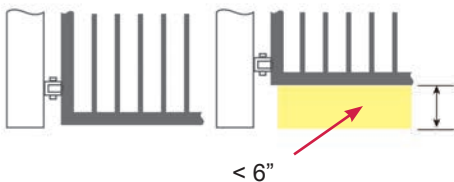
Zone A - Leading edge of gate where it meets a 2nd gate, stop post or passes a column or post corner. - recommended monitored entrapment protection type is B2 contact sensor or equivalent.



Zone B - Gate opens toward an immovable object with less than 16 inches of clearance - recommended monitored entrapment protection type B1 photo eye or equivalent. If space is less than 16", entrapment protection in this area is required.
(ASTM F2200: 7.1.1.1 and 7.1.1.2)



Zone C - If distance from center of hinge rotation point to corner of column, post or immovable object is greater than 4 inches, recommended monitored entrapment protection type is B2 contact sensor or equivalent.



Zone D - If the bottom edge of a swing gate is greater than 6 inches (152 mm) above the ground at any point in its arc of travel, one or more contact sensors shall be located on the bottom edge.

TABLE OF CONTENTS

INTRODUCTION

Ranger Series Automatic Gate Operator	1
Understanding Current UL325 Requirements.....	2
Entrapment Zones.....	3
Safety Installation Information	5
Ranger Parts Inventory	6-7
General Tool Requirements	8

PREPARATION AND OVERVIEW

Gate Qualifications/Applications	9
Proper Gate Design	10

INSTALLATION STEPS

1. Mounting Site Review	11
2. Determine Opening Method (pull to open or push to open)	12
3. Determine Horizontal Mounting Location	13
4. Determine Best Method for Actuator Mounting Brackets - Pull to Open	14
Determine Best Method for Actuator Mounting Brackets - Push to Open	15
Determine Best Method for Actuator Mounting Brackets - Columns	16
5. Mount Support Bracket	17
6. Installing Actuator Mounting Tube - Pull to Open	18
Installing Actuator Mounting Tube - Push to Open	19
7. Installing Linear Actuator to Actuator Mounting Bracket	20
8. Install Gate Bracket to Linear Actuator	21
9. Install Gate Bracket to Gate	21
10. Install Ranger Control Box	22
11. Install Linear Actuator Cable	23
Splicing Linear Actuator Cable Cable and Dual Gate Cable	23
12. Installing Monitored Entrapment Protection Devices	24
Monitored Photo Eye Installation	24
Monitored Contact Edge Installation	25
13. Install Battery	25
14. Install Smart Charger / Charge Controller Power Source (AC or Solar)	26
15. Connect Power Source to Smart Charger / Charge Controller	27
16. Charge Controller Operation Check	28
17. Ranger Control Board Information	29-31
18. Control Board Dipswitch Setting Verification	32
19. Gate Delay Feature	32
20. Connect Linear Actuator Cable to Control Board	33
21. Operating Gate For The First Time.....	33
22. Making Final Adjustments	34
23. Sensitivity Adjustments and Entrapment Alarm	34
24. Verifying Monitored Entrapment Protection Devices Operation.....	36
25. Programming Transmitter and Receiver	37
26. Install Safety Signs	38
27. Emergency Manual Release	38

PERIODIC SERVICE	39
-------------------------------	----

ACCESSORIES	40-47
--------------------------	-------

TROUBLESHOOTING	48-59
------------------------------	-------

APPENDIX

A. Ranger Solar Charged System	60
B. Extending Charge Device Location	61
C. Charge Controller	62-63
D. Installing Ranger Control Board part # 500510 in Pre Jan. 12, 2016 operators.....	64

WARRANTY	65
-----------------------	----



SAFETY INSTALLATION INFORMATION

INSTALLATION

Install the gate operator when:

- Operator is appropriate for the construction of the gate and usage class is correct for the installation.
- All exposed pinch points are eliminated or guarded.
- The gate is a vehicular gate. Pedestrians must be supplied with a separate access opening.
- The gate is installed in a location where enough space is supplied between adjacent structures and the gate that when opening or closing the chance of entrapment is reduced.
- The gate does not swing into public access areas.
- The gate is properly installed and swings freely in both directions. Do not over adjust the sensitivity adjustment to compensate for an improper gate installation.
- All controls are located at least six feet away from the gate to eliminate the chance of the person operating the gate from coming in contact with the moving gate. Do not install external buttons, which can be used to operate the gate within the reach of children.
- Safety Signs are installed, one on each side of the gate and visible in the gate area.
- All hard wired sensors used for monitored entrapment protection devices and their wiring are installed in a manner which protects them from mechanical damage.
- All wireless sensors used for monitored entrapment protection devices are located so that the signal from the transmitter to the receiver is not interfered with by adjacent structures. All exposed wiring must also be protected from mechanical damage.

MONITORED ENTRAPMENT DEVICES

USAutomatic designs all control boards with monitored entrapment device inputs. USAutomatic recommends that UL325 listed monitored protection devices be installed with all installations.



PARTS INVENTORY

All Operators include:

Cabinet with Control Board and the following parts:



- Part # 600140 Cabinet
- Part # 600145 Cover
- Part # 500500 Control Board
- Part # 520006 Charge Controller



- Part # 030200 Radio Receiver w/Harness



- Part # 530015 Secondary Entrapment Siren



- Part # 630040 Charge Control Harness



Ranger Actuator

Part # 510310
Ranger I - 1 per
Ranger II - 2 per



Dual Gate Actuator Extension Cable 35'

Part # 630036
Ranger II ONLY



2 Button Transmitter

Part # 030210
2 per



AC Charging Transformer

Part # 520004
with Ranger AC Models



Solar Charging Kit

Part # 520025
with Ranger Solar Models



External Reset Button

Part # 630060
1 per



Safety Signs

Part # 601020
2 per



Optional Accessories & LCR Items:

See accessories section for complete list and descriptions

4 Button Transmitter - Part # 030212

Push to Operate Button - Part # 030215

Wireless Keypad - Plastic - Part # 050500

Wireless Keypad - Metal - Part # 050550

Garage Door Receiver - Part # 030214

12/24 Receiver - Part # 030207

Electric Gate Lock - Part # 070510

7 Day Timer - Part # 550015

Exit Sensor - #070305

Photo Eye - #550010 & #550011

Metal Photo Eye - #550014

HARDWARE INVENTORY

BRACKETS

Support Bracket

Part # 610425
Ranger I - 1 per
Ranger II - 2 per



Mounting Tube

Part # 610420
Ranger I - 1 per
Ranger II - 2 per



Gate Bracket

Part # 610105
Ranger I - 1 per
Ranger II - 2 per



Manual Release Pin

Part # 610534
Ranger I - 1 per
Ranger II - 2 per



Manual Release Pin Clip

Part # 610535
Ranger I - 1 per
Ranger II - 2 per



Nylon Washers

Part # 610528
Ranger I - 2 per
Ranger II - 4 per



Bronze Bushing

Part # 610530
Ranger I - 2 per
Ranger II - 4 per



$\frac{3}{8}$ " Bolt

Part # 610512
Ranger I - 1 per
Ranger II - 2 per



$\frac{3}{8}$ " SAE Flat Washers

Part #610516
Ranger I - 2 per
Ranger II - 4 per



$\frac{3}{8}$ " Lock Nuts

Part # 610518
Ranger I - 1 per
Ranger II - 2 per



Threaded Cable Strain Relief Conn.

Part # 630022
1 per



#12 Self Tapping Hex Screw

Part # 610532
4 per



GENERAL TOOL REQUIREMENTS

- SAE Standard wrenches & sockets
- Nut driver
- Level and tape measure
- Pliers
- Wire Cutters/Strippers
- Welder
- Drill and bits
- Drill adapter for socket attachment
- Hack saw

Welding is the recommended method of securing the linear actuator mounts to the gate and hinge post. Bolt on brackets require frequent service to keep tight. They must be very securely attached (i.e. carriage bolts with lock nuts and washers). Lag type bolts are not recommended. Loose or unstable linear actuator mounts will result in improper operation.

IMPORTANT CAUTIONS:

- A. Do not perform any welding with the actuator cable plugged into the control board or the battery connected. Serious damage to the control board and/or battery may occur if attempted.
- B. Do not attempt to hold control box and drill mounting holes with components installed. This could damage the components.
- C. Always disconnect the battery power from the control board using the quick connect harness prior to wiring any devices to the control board.

PREPARATION AND OVERVIEW

GATE QUALIFICATIONS/APPLICATIONS

This gate operator is rated for vehicular class I, II, III, or IV swing gates up to 13 feet in length and up to 400 pounds in weight, as defined by UL-325. If your gate exceeds either one of these limits, please consult a qualified technician or the factory for application questions and advice. (Example: Convert one 20' gate into two 10' gates and use a dual gate operator.)

Note: *The total gate opening cannot exceed 110 degrees.*

The Ranger Gate Operator is recommended for Gates that meet the following descriptions:



Ornamental Iron
13 feet max length
Max weight 400 lbs.



Farm Gate
20 feet max length
Max weight 250 lbs.



Ranch Gate
16 feet max length
Max weight 300 lbs.



Chain Link Gate
14 feet max length
Max weight 350 lbs.

PROPER GATE DESIGN

IMPORTANT- A GATE OPERATOR CANNOT OVERCOME A POORLY DESIGNED GATE.

Since the gate is a major component of the system, great care and concern must be given to the gate design. USAutomatic, LTD is not responsible for any damage to a gate on which the gate operator is installed. A poorly installed or misadjusted gate could be damaged. It is the responsibility of the installer to verify proper gate installation prior to operator installation. As a general rule, a gate, which is to be automatically operated, must be stronger and smoother than one operated manually.

- Does the gate swing smoothly without binds or excessive resistance?
- Swing gates should swing level and plumb to prevent the operator from having to lift the gate open or closed.
- Swing gates should not require a wheel to support them. Wheels create drag, which will cause operator problems. A wheel is generally a sign of a weak hinge system or a weak gate frame.
- Is the gate frame of substantial strength without excessive weight?
- Will the frame withstand normal wind load conditions without sway or vibration?
- Will the gate close correctly without being hand-guided or lifted to close?
- Are the hinges suited for an automatic gate operator? We recommend bearing type hinges to reduce friction drag.
- Will a reinforcement brace be required to attach the linear actuator to the gate or does a suitable cross member exist in the gate design?

If any of these problems exist, they must be corrected to achieve a reliable automatic gate system.

All Gates must have smooth bottom edges, no protrusions should exist. If gate hardware or sensors protrude, they must have smooth surfaces free of any sharp cutting edges that do not exceed $\frac{1}{2}$ inch beyond the base of the gate. (ASTM F2200: 4.8)



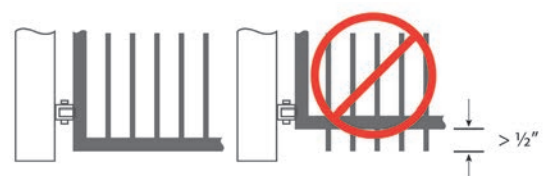
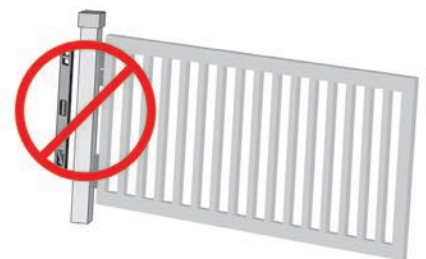
Gate should not require a wheel for support.



Gate should not be unlevel due to weak frame.



Gate should not be unlevel due to unlevel post.



I

Mounting Site Review

Review the following items prior to installation and predetermine the solution to any problems which may exist:

1. Does sufficient space exist for mounting and future servicing of the operator and control box?
2. Which direction will the gate swing?
 - a. Will the gate operator pull the gate open to the inside (Pull to Open)?
 - b. Will the gate operator push the gate open to the outside (Push to Open)?
(See Determine Opening Method Section)
3. Where and how will the actuator mounting brackets be secured to the hinge post and to the gate? (See Determine Actuator Mounting Brackets Sections)
4. How will the gate bracket be secured to the gate and will additional reinforcement be required?
(See Mount Support Bracket Section)
5. Where will the control box be mounted to support the weight of the battery and other components and can it be located within 8 feet to prevent splicing of the linear actuator cable?
(See Install Ranger Control Box Section)
6. For AC Charged System - How far away is the 120 VAC receptacle for the transformer?
Transformer is supplied with 12 feet of cable. If extension is needed use power source cable Extension Kit part #630038. See Power Source Cable Extension chart for identifying the wire size needed for the distance required. Transformer must be installed indoors or in a raintight enclosure. Transformer should not be exposed to moisture.
7. For Solar Charged System - Where will the solar panel mount so that optimum sunlight is received? Solar panel is provided with 15 feet of cable, If extension is needed use power source cable Extension Kit part #630038 or 75' Solar Extension part #520016. See Power Source Cable Extension chart for identifying the wire size needed for the distance required. Solar panel typically needs to be facing a South or Southwest direction.
8. How will accessory control wiring, if any, be brought to the control box? Knock outs are provided in control box bottom for conduit.
9. Have all safety concerns been addressed? Study the Safety Section and Entrapment Zones for more information.
10. Identify entrapment areas. Determine the appropriate UL325 compliant monitored entrapment device/devices that will be used to protect all entrapment areas.
11. Is there enough space beneath the linear actuator for the cable so that damage to the cable does not occur? Actuator must not be installed with cable on the top side of the actuator. Cable must exit actuator on the bottom side to prevent water from entering housing. (See Horizontal Mounting Location Section)



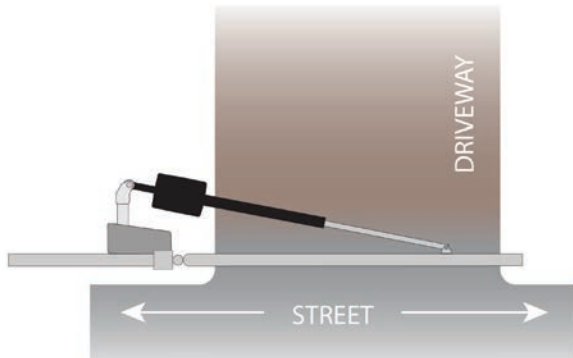
2 Determine Opening Method

(pull to open or push to open)

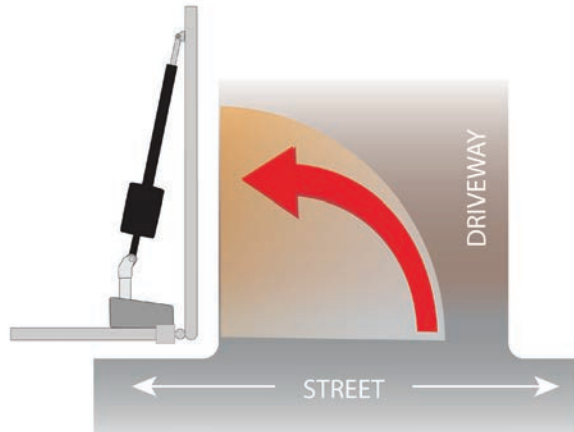
Pull to Open Installation

This installation method is the most common where the gate swings into the property and the operator **pulls** the gate open.

EXTENDED (Gate Closed)



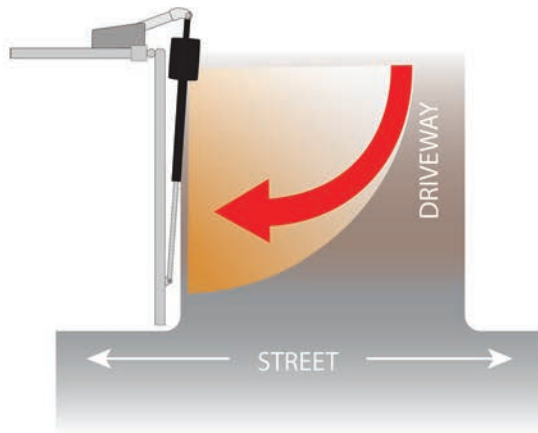
RETRACTED (Gate Open)



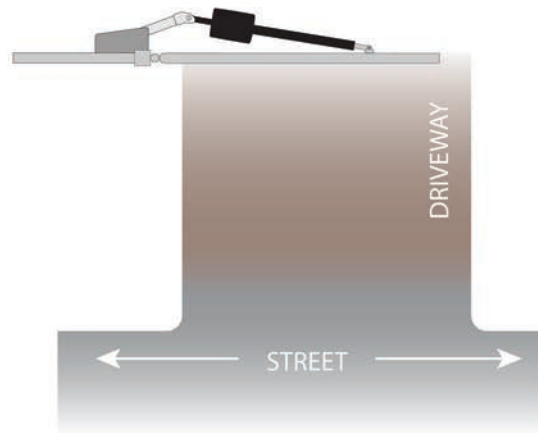
Push to Open Installation

This installation method is commonly used where the drive slopes upward into the property and the operator **pushes** the gate open. The gate swings outward away from the property.

EXTENDED (Gate Open)



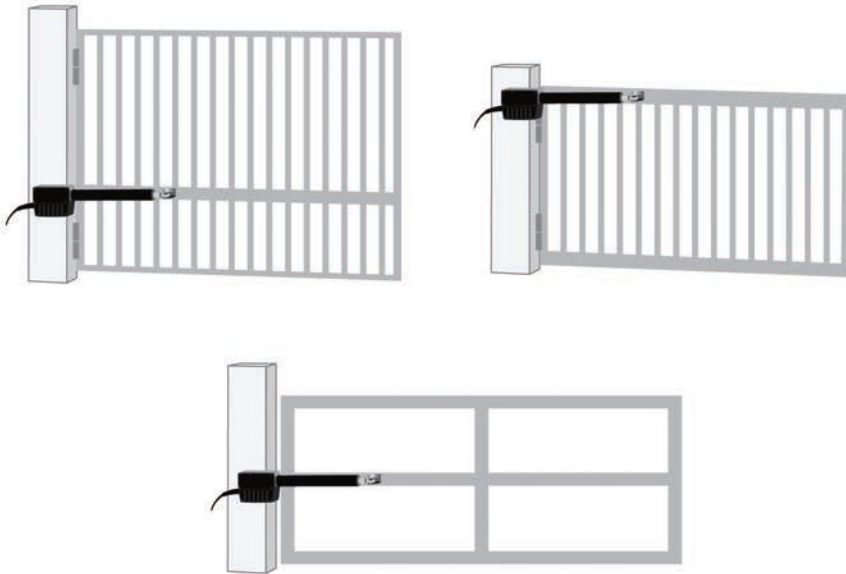
RETRACTED (Gate Closed)



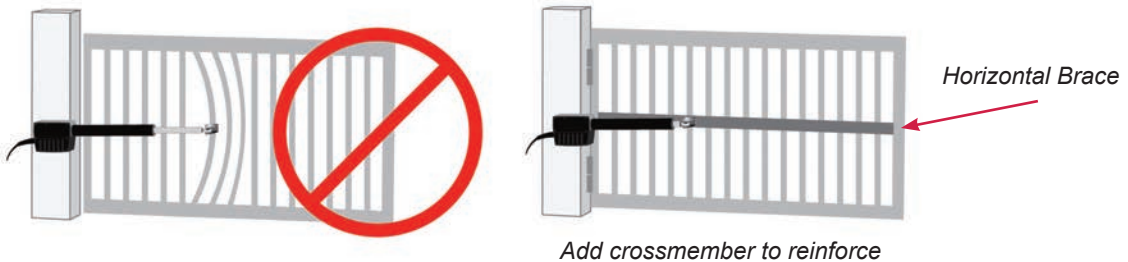
3 Determine Horizontal Mounting Location

Now that the type of installation (pull to open or push to open) has been determined, the vertical height position of the support bracket and actuator mounting tube must be determined. Refer to these examples to determine the mounting location of the gate bracket on the gate, which is needed to determine the location of the actuator mounting tube.

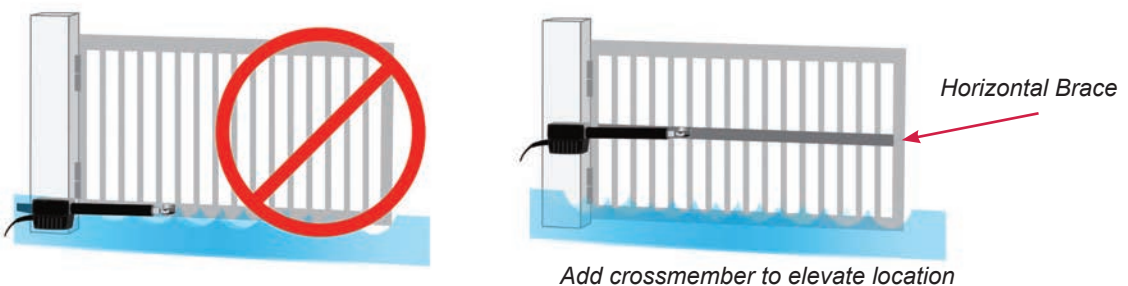
The actuator delivers force on the gate when operating. Aligning the actuator mounts with a horizontal gate frame member is the best choice. (as shown here)



Installation of a horizontal brace may be necessary to prevent damage to vertical gate pickets.



Avoid mounting actuator on bottom rail of gate. Unit will be more likely to be damaged by flooding and will be difficult to service and adjust.



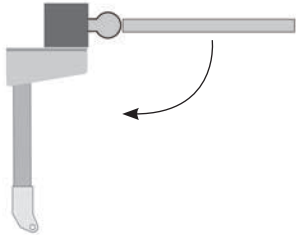
4a

Determine Best Method for Actuator Mounting Brackets - PULL TO OPEN

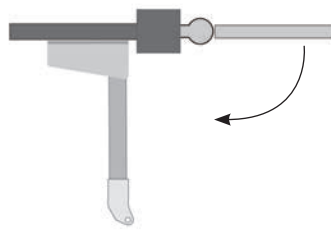
Study the examples below and determine the best method for your gate. The examples below are for left hand installations. Reverse for right hand installations.

Square Post

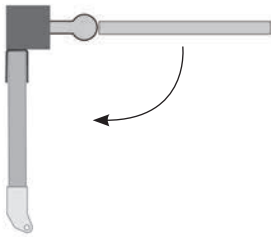
Actuator support bracket mounted horizontally on hinge post



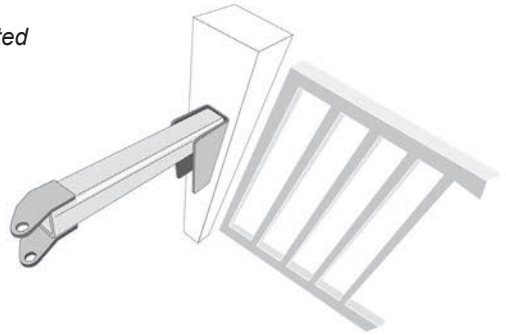
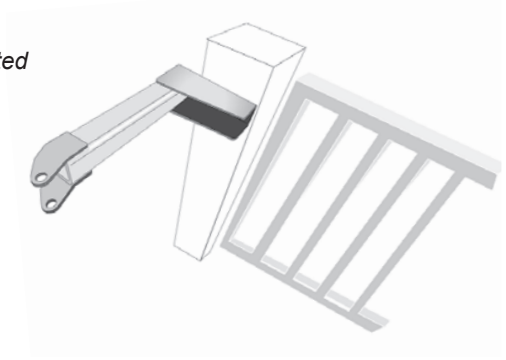
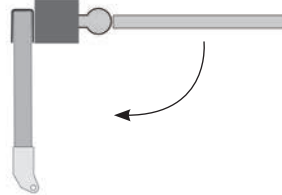
Actuator support bracket mounted horizontally on fence rail



Actuator support bracket mounted vertically on hinge post

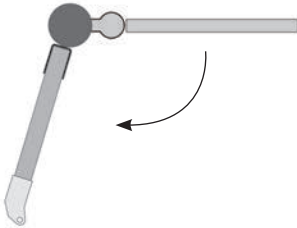


Actuator support bracket mounted vertically opposite hinge

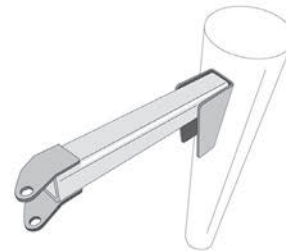


3D Example

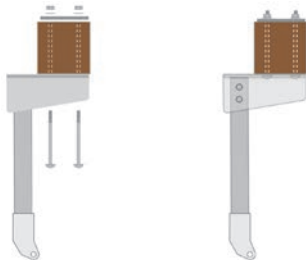
Round Post



Actuator support bracket mounted vertically on hinge post

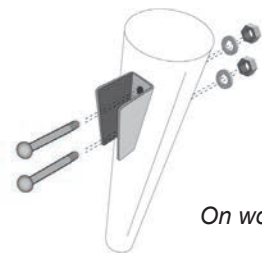


Wood or Aluminum Post



Drill through mounted.

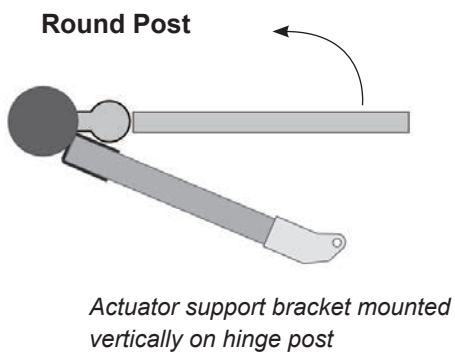
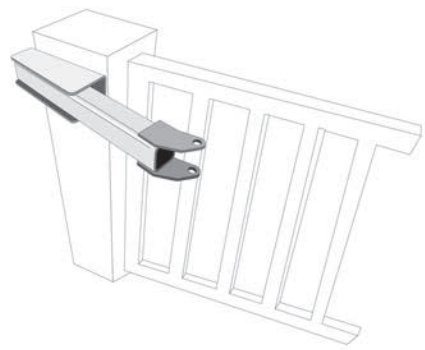
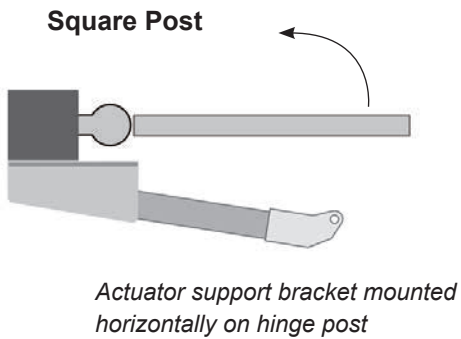
Drill through post and bracket. Use carriage bolts with back plate. (not included)



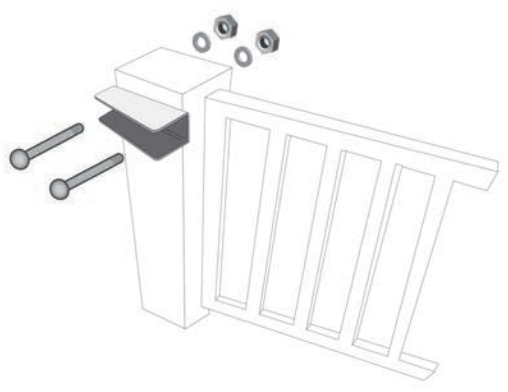
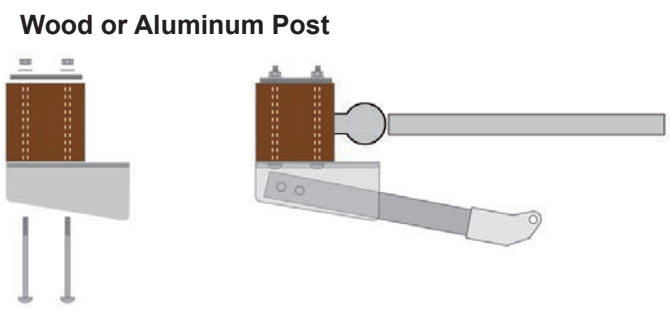
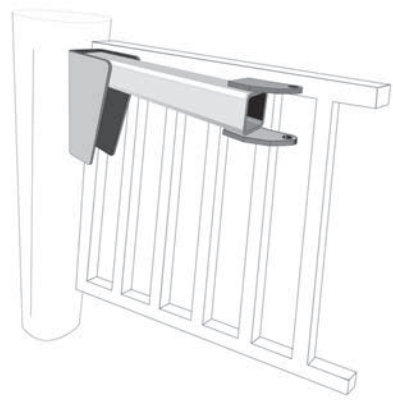
On wood post

4b Determine Best Method for Actuator Mounting Brackets - PUSH TO OPEN

Study the examples below and determine the best method for your gate. The examples below are for left hand installations. Reverse for right hand installations.



3D Example



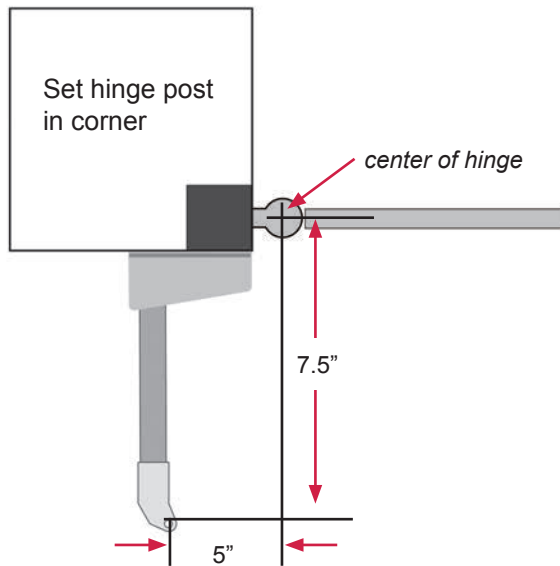
Drill through mounted.

Drill through post and bracket.
Use carriage bolts with back plate.
(not included)

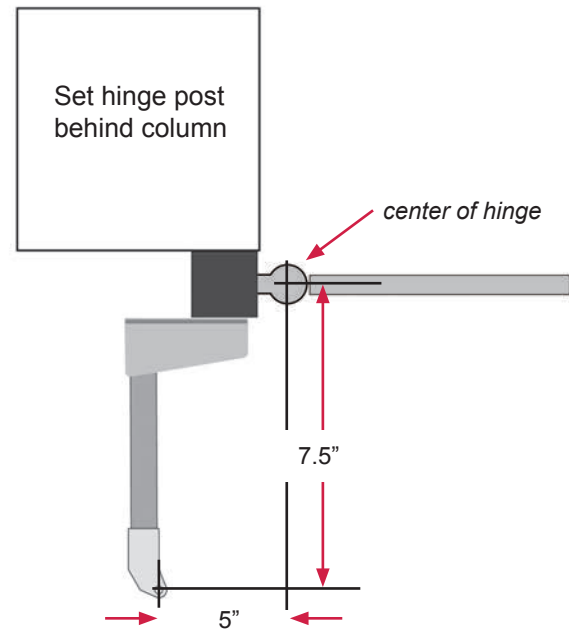
4C Determine Best Method for Actuator Mounting Brackets - COLUMNS

Dimensions shown are for 90° - 95° opening.

New Construction

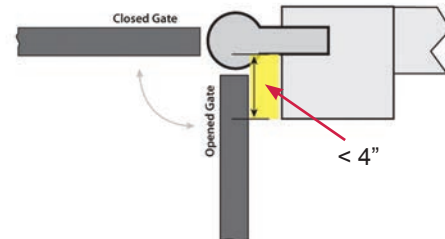


Existing Columns



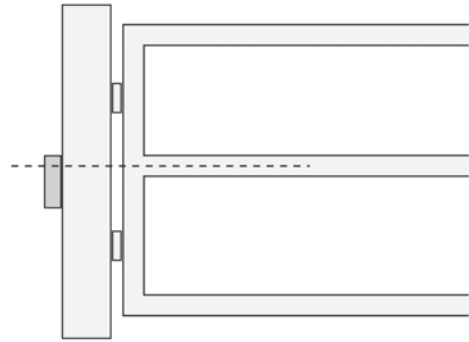
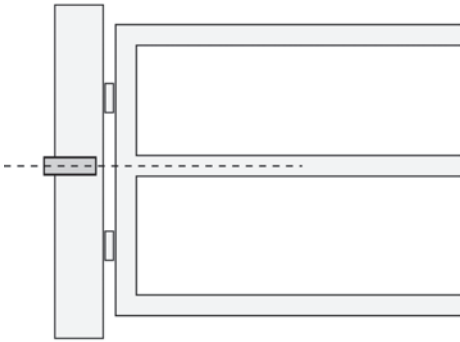
Entrapment Area

Avoid designing a system that places the hinge center rotation point more than 4 inches from the corner of the column. This will create an entrapment point between the gate and the column when the gate is moving in the open direction.

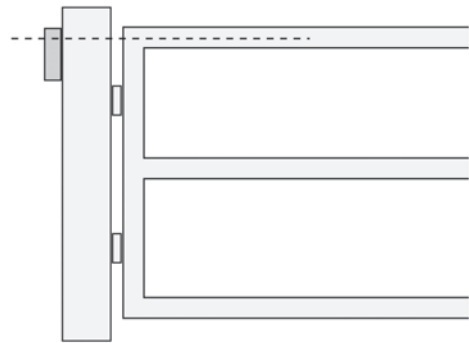
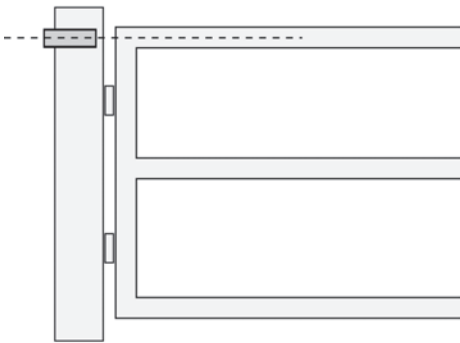


5 Mount Support Bracket

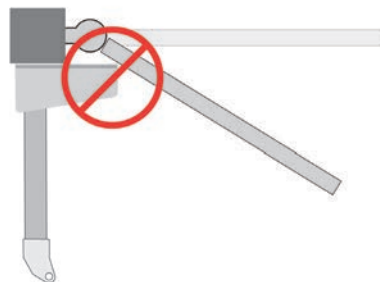
Now that you have determined the method and the vertical mounting location of the Actuator Support Bracket, mount the support bracket in alignment with predetermined horizontal frame member as per the following examples.



Bracket must be level in all directions.



DO NOT mount support bracket in a manner that obstructs gate movement or creates a pinch point.

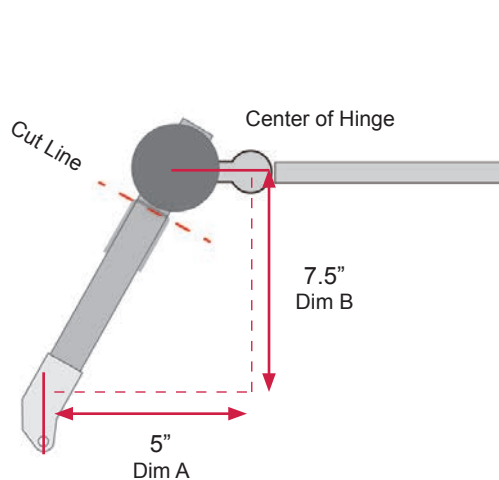
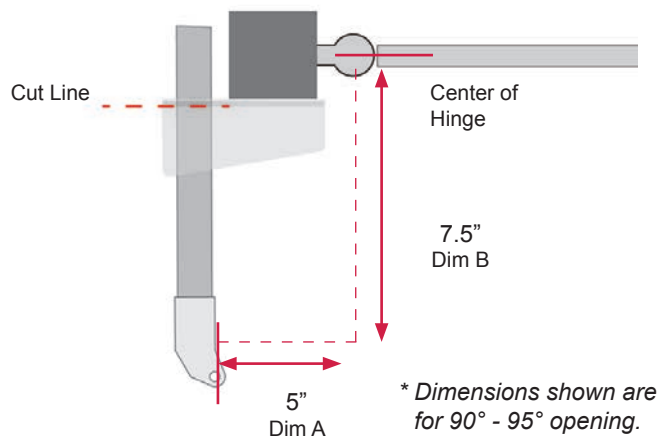


6a Install Actuator Mounting Tube - PULL TO OPEN

Cut Actuator Mount Tube to proper length. Weld to support bracket.
 (See table below for desired dimensions.)

The actuator mounting tube will need to be cut so that the $\frac{3}{8}$ " hole location matches the dimensions for a pull to open system.

Before welding in place, ensure the actuator mounting tube is level in all directions and the $\frac{3}{8}$ " pivot hole location on actuator mounting tube is at proper point per the dimension chart for the type of installation being performed.



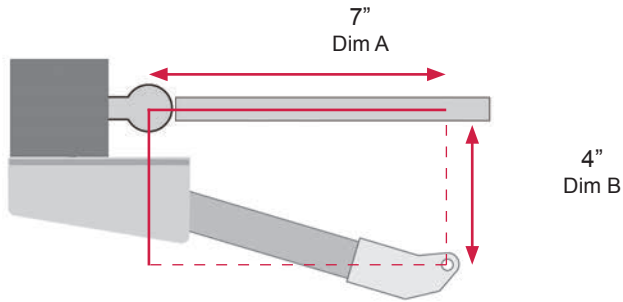
PULL TO OPEN - Actuator Hinge Mounting Tube Installation Dimensions		
Gate opening in degrees	Dimension A	Dimension B
90 degree opening	5"	7½"
100 degree opening	7"	7"
110 degree opening	8"	5½"

6b Install Actuator Mounting Tube - PUSH TO OPEN

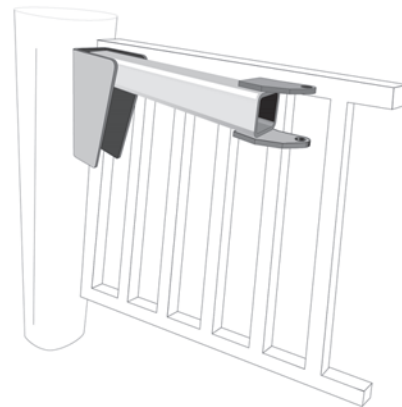
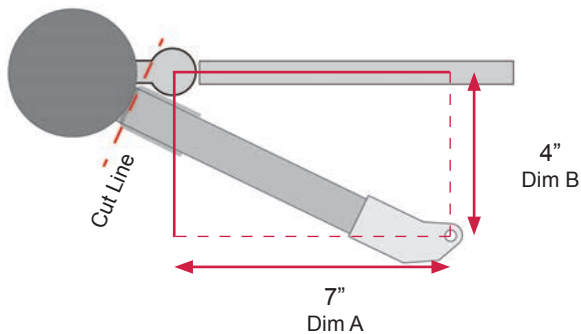
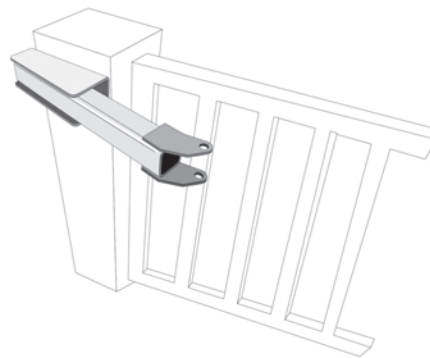
Cut Actuator Mount Tube to proper length. Weld to support bracket.
 (See table below for desired dimensions.)

The actuator mounting tube will need to be cut so that the $\frac{3}{8}$ " hole location matches the dimensions for a push to open system.

Before welding in place, ensure the actuator mounting tube is level in all directions and $\frac{3}{8}$ " pivot hole location on actuator mounting tube is at proper point per the dimension chart for the type of installation being performed.



* Dimensions shown are for 90° - 95° opening.

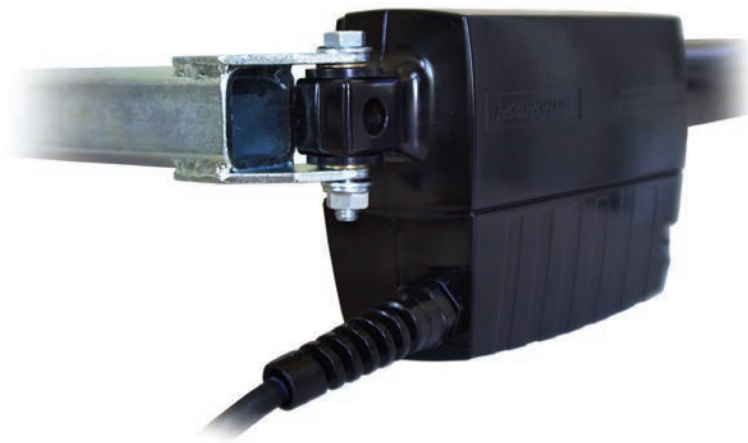
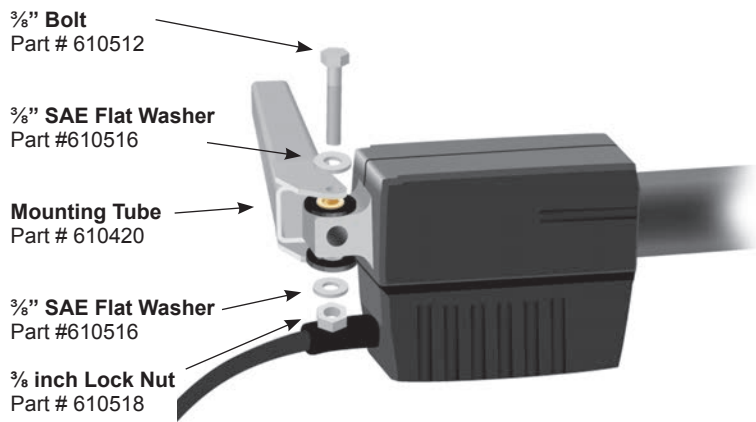
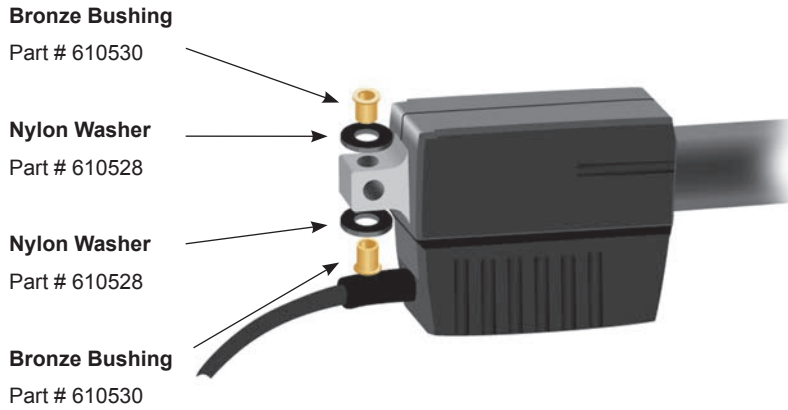


PUSH TO OPEN - Actuator Hinge Mounting Tube Installation Dimensions		
Gate opening in degrees	Dimension A	Dimension B
90 degree opening	7"	4"
100 degree opening	8.5"	4"

7

Install Linear Actuator to Actuator Mounting Bracket

The linear actuator should be mounted to the actuator mounting bracket using the provided hardware. Assemble as shown below. Tighten lock nut securely.



8 Install Gate Bracket to Linear Actuator

Install gate bracket and manual release pin to linear actuator as shown.

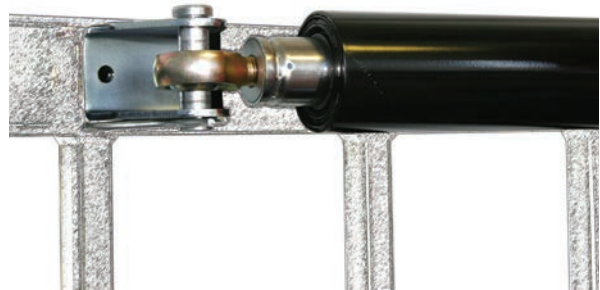


9 Install Gate Bracket to Gate

(PULL TO OPEN INSTALLATION ONLY)

The linear actuator was shipped from the factory set to the fully retracted position. The steps below will determine where the gate bracket is to be installed on the gate.

1. Swing gate to the fully open position.
2. Swing linear actuator around in a level position to meet the fully open gate. The contact point is where the gate bracket should be installed on the gate.
3. Weld or bolt the gate bracket to the gate.



(PUSH TO OPEN INSTALLATION ONLY)

The linear actuator was shipped from the factory set to the fully retracted position. The steps below will determine where the gate bracket is to be installed on the gate.

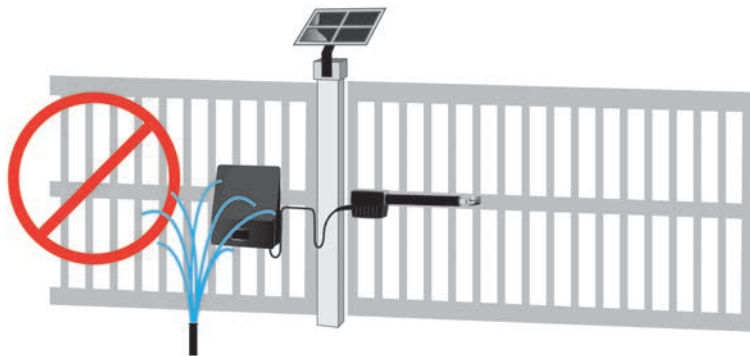
1. Swing gate to the fully closed position.
2. Swing linear actuator around in a level position to meet the fully closed gate. The contact point is where the gate bracket should be installed on the gate.
3. Weld or bolt the gate bracket to the gate.

10 Install Ranger Control Box

The control box should be securely mounted to an object or surface strong enough to support the weight of the box, battery and other components to be installed. The box can be screwed or bolted to a suitable mount. The most common mounts are to an adjoining fence panel or wall. Holes are provided in the control box for mounting. If drilling is required, avoid getting metal or other material shavings on the components by marking the hole locations first, then set the box aside prior to drilling.



When deciding where to mount the control box remember the actuator cable is 8 feet in length. If possible, mount the control box in a location that will allow the cable to be neatly routed. If it must be longer than the 8 feet, see Splicing Actuator Cable Step. Also avoid choosing a mounting location that is near sprinklers.



We have provided knockouts for conduit fittings in the control box bottom right corner. We highly recommend using conduit for all accessory wiring entering the control box. Determine which knockouts are to be used and punch out at this time.

NOTE: One 1 1/4" knockout is already removed for a single gate installation or for the closest gate on a dual gate installation.



11 Install Linear Actuator Cable

The linear actuator is supplied with 8' of cable. Care should be taken to protect the cable from damage that might be caused by animals, lawn equipment etc.

Route the cable into the control box bottom, snap in 1 ¼" plastic grommet.

DO NOT plug into control board at this time.

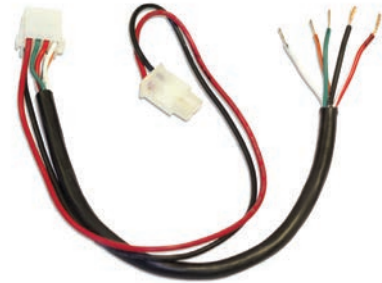


11b Splicing Linear Actuator Cable or Installing 2nd Linear Actuator Cable for Dual Gate System.

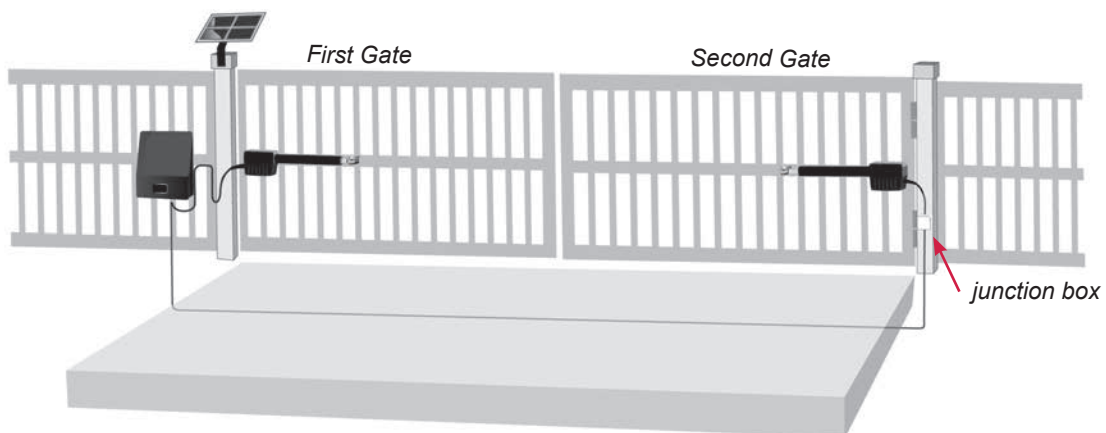
When adding an extension cable to a single gate actuator cable or when installing a second gate actuator for Gate 2, the 8 foot actuator cable must be cut and spliced in the following manner.

Once actuator has been installed:

1. Locate the linear actuator 8 pin connector. Measure 18 inches from the connector end and cut the black cable. See Figure
2. Save this 8 pin connector and pigtail cable for step 8.
3. Install a rain tight junction box on the Gate 2 hinge post below or near the actuator.
4. Install the extension cable from the junction box at Gate 2 to the Ranger control box. Route the cable through the bottom of the junction box and the Ranger control box. Cut the cable longer than needed for future needs and ease of servicing.



NOTE: The Ranger II Dual Gate Opener system includes 35 feet of extension cable. If the distance between the junction box and the control box exceeds this distance it is recommended to purchase a cable that will not require additional splices in the cable. USAutomatic Part# 630010 can be custom ordered and purchased in any length. Never make underground splices as moisture in connections will definitely cause system malfunctions.



5. Route the linear actuator cable into the junction box through the bottom of the box and determine length. Allow ample slack in the cable for actuator movement when opening and closing the gate. Cut cable longer than needed for future servicing.
6. Remove at least 2 inches of the exterior black jacket on both cables routed into the junction box. Strip back approximately 1/2 inch of insulation from all wires. Connect the wires from each cable, matching color to like color with wire nuts. Pull firmly on all wires to be sure all connections are tight.
7. Install rain tight cover on junction box.
8. Remove at least 2 inches of the exterior black jacket on the pigtail cable (saved from step 2) and on the remaining end of the extension cable previously routed into the Ranger control box (step 4). Strip back approximately 1/2 inch of insulation from all wires. Connect the wires from each cable, matching color to like color with wire nuts. Pull firmly on all wires to be sure all connections are tight.
9. Do not plug into control board at this time.



IMPORTANT: The length of the extension cable should be as short as possible.

12 Installing Monitored Entrapment Protection Devices

Effective January 12, 2016 A vehicular gate operator or vehicular barrier (arm) operator shall have provisions for, or be supplied with, at least two independent entrapment protection means as specified in current UL325 standard Table 31.1. At installation, both entrapment protection devices must be installed and operational before gate operation is allowed.

SYSTEM MANUFACTURED AFTER JAN. 12, 2016 WILL NOT OPERATE WITHOUT 1 OF THE 2 FOLLOWING TYPES OF MONITORED ENTRAPMENT PROTECTION DEVICES CONNECTED AND OPERATIONAL.

When the installation requires more than 1 monitored contact edge or monitored photo eye, the Monitored Entrapment Device Expansion Modul must be installed. (USAutomatic Part# 500015)

12a Monitored Photo Eye (Type B1) Installation for Entrapment Protection ONLY.

Connect wires per the table below: All wiring should be done with power disconnected from control board.

Photo Eye wiring for Entrapment Device Protection	
Photo Eye Connections	Ranger Control Board Connections
Power +12 vdc	J2 pin 5
Power ground / O	J2 pin 2 or pin 7
Common	J2 pin 2 or pin 7
N/C contact	J2 pin 8

The energy saving design of the control board will only apply 12 vdc to the photo eye when the gate is in operation. During installation +12 vdc power is required to align the photo eye beam.

Set control board DS1 dipswitches as follows for the installation:

Control Board Dipswitch Settings for Installation	
DS 1 switch 3	OFF – press down on the left hand side
DS 1 switch 4	OFF – press down on the left hand side
DS 1 switch 6	ON – press down on the right hand side

Install the photo eye at this time. Once battery is installed, verify alignment.

12b Monitored Contact Edge (Type B2) Installation for Entrapment Protection ONLY.

Connect wires per the table below: All wiring should be done with power disconnected from control board.

Contact Edge wiring for Entrapment Device Protection	
Contact Edge Connectors	Ranger Control Board Connections
N/O connection	J2 pin 6
Common	J2 pin 2 or pin 7

13 Install Battery

The recommended battery for all installations is a 12 volt Group U1 maintenance free battery, 30 to 35 amp hours. This type battery is commonly known as a lawn tractor or wheel chair battery.

The charge controller harness is supplied with two ¼" ring terminals for connection to the battery.

Connect the red wire to the positive post of the battery and the black wire to the negative post of the battery as shown.



Connect the actuator 2 wire connector (or connectors if dual gate) to battery harness.

NOTE: DO NOT PLUG ACTUATOR(S) INTO CONTROL BOARD AT THIS TIME.



14 Install Smart Charger / Charge Controller Power Source (AC or Solar)

The Ranger gate operator's battery is charged by the USAutomatic smart charger / charge controller. The USAutomatic smart charger / charge controller can be powered by an AC transformer supplied with Ranger AC Models **OR** a solar panel supplied with Ranger Solar models. The AC Transformer and the Solar Panel are equipped with a DC plug for easy connection to the smart charger / charge controller.

14a Ranger AC Charged System

The AC model Ranger gate operator comes with a low voltage transformer which plugs into the charge controller and can easily provide 575 cycles of operation a day without decreasing the battery charge. In the event AC power goes out the operator will operate for weeks on the battery (if cycles per day are below 20) before needing service. Again, accessories connected to the operator are critical. Always use Solar Friendly accessories to help avoid premature battery failure in cases of power outages.



The unique design of the charging system allows the transformer to be installed away from the gate area if needed. This means that on AC charged systems, the transformer's low voltage wire can be extended avoiding the expense of having an electrician install 120 VAC at the gate area.

Refer to the AC power source cable extension chart below for the exact wire size to be used.

NOTE: AC Transformers are not designed to get wet. Likewise, all splices should be made in a dry enclosure or outdoor box. For convenience use the USAutomatic Charge Cable Extension Pigtailed PN #630038.

Transformer Extension Wire Size				
0 to 100 feet	101 to 250 feet	251 to 500 feet	501 to 750 feet	750 to 1000 feet
18 gauge wire	16 gauge wire	14 gauge wire	12 gauge wire	10 gauge wire

NOTE: USAUTOMATIC RECOMMENDS A SURGE PROTECTOR ON ALL AC CHARGED INSTALLATIONS.

14b Ranger Solar Charged System

Utilizing the USAutomatic Solar Panel kit, you may use a solar panel to charge the battery. Typically only one panel will be required. The Ranger gate operator is capable of a high number of cycles per day. For information on what you can expect from a solar charged system see Appendix. Accessories that are added to your gate operator must be solar friendly accessories and they will be identified as such. For a complete list of accessories, please visit www.usautomatic.com



The Solar model Ranger gate operator comes with a 6 watt solar panel and is designed to provide enough cycles a day for most installations without needing more than one solar panel. Care must be taken to ensure the solar panel has full sun throughout the day; partial sun will give partial results. If no sun is present then a solar system is not practical no matter how many panels might be installed. The solar panel must be kept clean and in full sunlight.

The location of the solar panel is critical for proper battery charging. The panel needs to face a South to Southwest direction and be installed at the angle of the supplied solar panel bracket. For proper operation the panel must have unobstructed sun. The Solar Panel needs to be mounted so that it receives full sunlight. Even a small amount of shade or blockage will cause the Solar Panel to cease charging. Something as tiny as a fingertip shadow will affect the Solar Panel.

The solar panel may be moved up to 500 feet from the control box to achieve adequate sunlight. See power source cable extension chart below for proper wire size. For convenience use the USAutomatic 75' Cable Kit Part #520016 or USAutomatic Charge Cable Extension Pigtailed part #630038.

Solar Extension Wire Size		
0 to 100 feet	101 to 250 feet	251 to 500 feet
18 gauge wire	16 gauge wire	14 gauge wire

15 Connect Power Source to Smart Charger/ Charge Controller (Transformer or Solar Panel Kit)

The charger / charge controller accepts inputs from either the AC transformer or the solar panel. The transformer and solar panel come with a DC plug for easy installation. Once the charge device is selected and installed connect the DC plug into the charge controller "Power In" located in the upper right corner of the charge controller (see figure).

Charge Device plugs in here



16 Charge Controller Operation Check

Once the charge device is plugged into the charge controller verify the following:

Transformer:

1. Charge light flashes for 3 seconds and goes off
2. External power and detection lights come on
3. Detection light stays on for 3 seconds, then charging light comes on

Solar Panel:

1. Charge light flashes for 3 seconds and goes off
2. Solar power and detection lights come on
3. Detection light stays on for 3 seconds, then charging light comes on

NOTE: Most batteries will not be completely charged when first connected and the charging light should come on when charge controller is first connected. The fully charged light will come on once battery is fully charged.

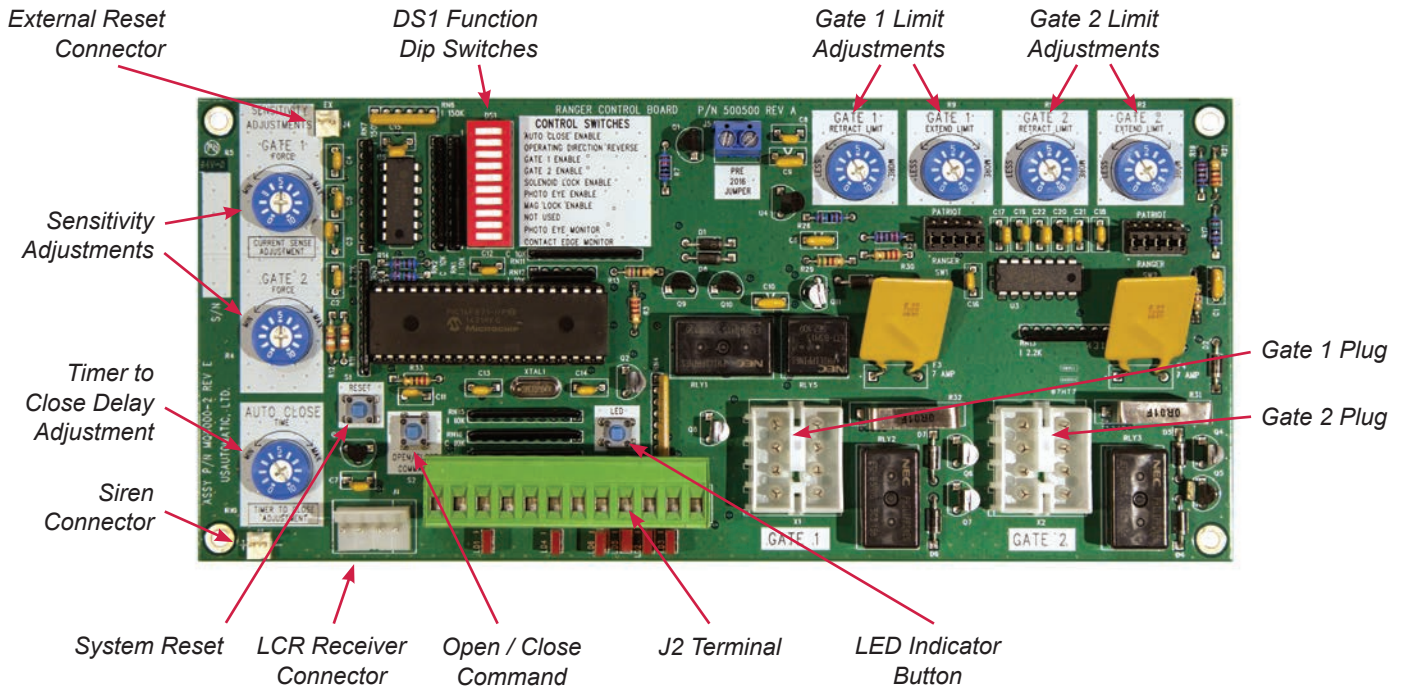
When using a solar panel, the charge controller is designed to only charge the battery when there is enough sun to do so. If there is no sun, then the lights on the charge controller should be "OFF". This feature reduces the drain on the battery in solar installations. If transformer is installed, lights are operational at all times.

For a more detailed procedure for verifying Charge Controller System, see troubleshooting section.

17 Ranger Control Board Information

The Ranger control board is capable of operating two gates. If your installation is a single gate you can operate the gate on the Gate 1 or Gate 2 connector. Set control switch "ON" for the connector being used.

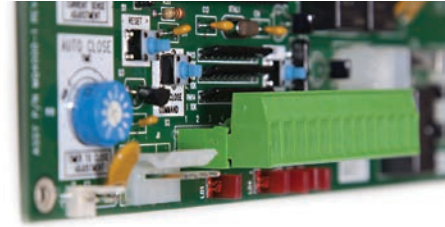
Ranger Control Board



J2 Terminal Description

The accessory connector is a plug which can be removed from the control board for ease of wiring and troubleshooting purposes.

Pull out to remove.



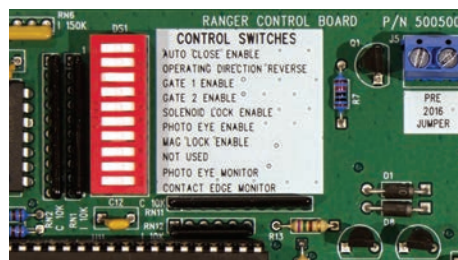
J2 Terminal

Terminal	
1	+12 vdc Output <i>(Maximum current output 1.5 amp - 1500 milliamps)</i>
2	Common Ground
3	Push Button Input <i>(normally open contacts)</i> <i>(Push button, radio control, keypad, etc.)</i>
4	Electric Gate Lock Power (+12vdc only) 750 ma max
5	Photo Eye Power +12 vdc output 1 amp max current <i>Only present when DS1 switch 6 is ON and gate is moving or DS1 switch 3 and 4 are OFF and DS1 switch 6 is ON used for installation.</i>
6	Contact Edge N/O connection monitored entrapment <i>DS1 switch 10 must be ON when monitored edge is connected or when</i> <i>*Secondary Entrapment Input is connected when in pre 2016 configuration</i>
7	Common Ground
8	Photo Eye N/C connection monitored entrapment <i>DS1 switch 9 must be on when monitored eye is connected</i> <i>*Not used in pre 2016 configuration</i>
9	Free Exit / Open Input <i>(normally open contacts)</i> <i>Loop input or any hold open input such as a 7-day timer, telephone access unit, or maintain contact switch (normally open contacts). These devices open the gate and will prevent the gate from closing if the contact is maintained. Once the contacts have been released, the gate can be closed with a closed signal device or the automatic close timer feature. Receiver relay2 pre-wired for latching open.</i>
10	Center Loop or Under Gate Loop Input <i>(normally open contacts)</i>
11	Safety Loop / Photo-eye / Reversing Edge Input used for vehicular protection devices. <i>(normally open contacts) *No 10K resistor - remove if installed</i>
12	Mag Lock Power Output (+12vdc only) 750 ma max

DSI Function Dip Switches

ON - Down on right

OFF - Down on left



Switch		Setting	Factory Settings are shown in bold type
1	Automatic Close Timer Enable <i>(Not recommended unless safety devices are installed)</i>	ON	Timer to close is activated Gate will close from any position
		OFF	Timer to close is disabled
2	Operating Direction Reverse <i>(Must be on for push to open installations to operate correctly)</i>	ON	Push to Open
		OFF	Pull to Open
3	Gate 1 Enable	ON	Gate 1 operator enabled to function
		OFF	Gate 1 operator disabled
4	Gate 2 Enable <i>(both gates on for dual)</i>	ON	Gate 2 operator enabled to function
		OFF	Gate 2 operator disabled
5	Solenoid Lock Enable / Gate Leaf Delay	ON	Solenoid lock output energizes half second before gate begins to move and releases 3 seconds after the gate begins to move. Gate Leaf Delay
		OFF	No Function
6	Photo Eye Power Management Enable <i>*when ON 12 vdc will be present at J2 pin 12 whenever gate is in motion.</i>	ON	Provides +12vdc output for photo eye J2 Terminal 5. NOTE: DO NOT connect photo eye directly to battery or premature failure will occur.
		OFF	No Function
7	Mag Lock Enable	ON	Magnetic lock output energizes on close and releases half second before gate begins to open. <i>(Energizes = +12 vdc output 1.5 amp max)</i>
		OFF	No Function
8	Not Used		
9	Photo Eye Monitor <i>(Must be ON when a monitored photo eye is installed at J2 pin 8)</i>	ON	Monitored photo eye installed
		OFF	No monitored photo eye installed
10	Contact Edge Monitor <i>(Must be ON when a secondary entrapment device operation connected at J2 pin 6.)</i>	ON	Monitored contact edge is installed
		OFF	No monitored contact edge installed



18 Control Board Dipswitch Setting Verification

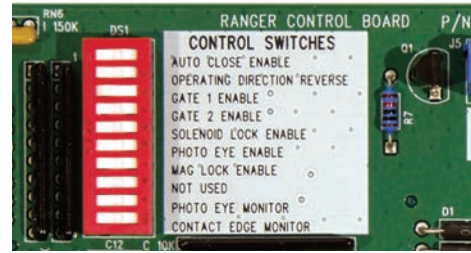
NOTE: This check must be performed before operating the gate for the first time. Failure to do so may damage the gate operator.

Before operating the gate lets make sure the Ranger control board dipswitches are set correctly for your installation. Locate the dipswitches on the Ranger control board.

Factory default dipswitch setting 3 on, all others off

ON - Down on right

OFF - Down on left



Identify your installation below and verify the standard dipswitch settings:

			W/ Monitored Photo Eye	W/ Monitored Contact Edge
RANGER I	(PULL TO OPEN)	Dipswitch 3 should be in the ON position	DS1 switch 6 and 9 ON	DS1 switch 10 ON
RANGER I	(PUSH TO OPEN)	Dipswitches 2 and 3 should be in the ON position	DS1 switch 6 and 9 ON	DS1 switch 10 ON
RANGER II	(PULL TO OPEN)	Dipswitches 3 and 4 should be in the ON position	DS1 switch 6 and 9 ON	DS1 switch 10 ON
RANGER II	(PUSH TO OPEN)	Dipswitches 2, 3, and 4 should be in the ON position	DS1 switch 6 and 9 ON	DS1 switch 10 ON

NOTE: PUSH TO OPEN INSTALLATIONS ONLY:

Push to Open installations do not require rewiring of the actuator harnesses. The Ranger control board dipswitch 2 eliminates the need to do this. Failure to turn dipswitch 2 ON will cause improper gate operation. Verify your installation type and verify dipswitch settings.

19 Gate Delay Feature - For Bi-parting Dual Gate Systems with overlapping gates and/or electric gate lock.

It is necessary to activate the gate delay feature anytime dual gates overlap in the closed position or have an electric gate lock. To activate this feature simply turn DS1 switch 5 on. The actuator plugged into Gate 2 will always open 2 seconds after Gate 1 opens and will always close 2 seconds before Gate 1 closes.

20 Connect Linear Actuator Cable to Control Board

The 8 pin plug on the linear actuator cable must connect to either the Gate 1 or Gate 2 connector on the control board. Once cable is connected verify that the corresponding control switch for Gate 1 or Gate 2 is turned ON. Gate 1 port is recommended for single gates or the closest gate in a dual gate system.

Before connecting the actuator cable to the control board check the following:

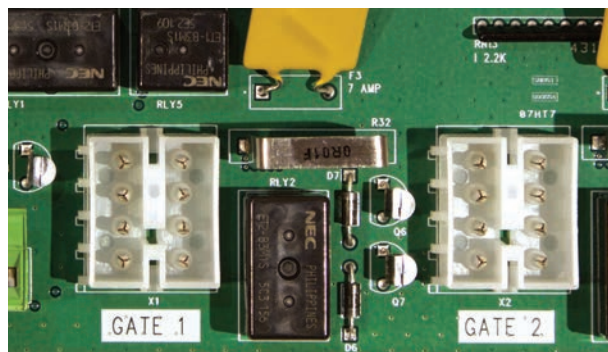
- Verify that all previous steps were performed.
- Verify that the battery connections are correct red lead to positive and black lead to negative.
- Verify that nothing is in the path of the gate. If by chance it begins to move when power is applied, be prepared to disconnect the actuator cable.

Ranger I (Single Gate)

- Locate the actuator cable and plug it into the Gate 1 actuator connector (see image) on the control board.

Ranger II (Dual Gates)

- Locate the closest gate's actuator cable and plug it into the Gate 1 actuator connector (see image) on the control board.
- Locate the farthest gate's actuator cable and plug it into the Gate 2 actuator connector.



Ranger II (Dual Gates) with overlapping gates or electrical lock requiring gate delay. See section 19.

21 Operating Gate for the First time

Before operating the gate for the first time please verify the following items:

1. Linear actuator is in the retracted position. If dual gate check both.
2. Verify that DS1 switches on control board are set correctly for your installation per the following chart:

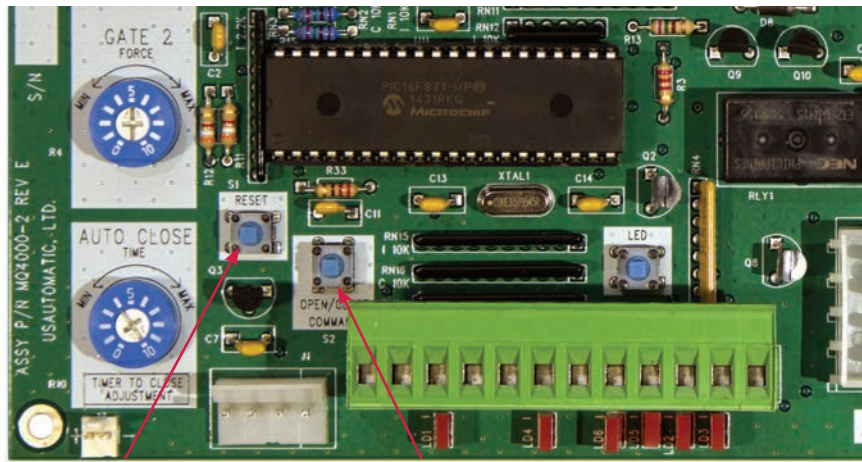
Single Gate Systems
DS1 Switch 3 (Gate 1 enable) ON/Actuator plugged into Gate 1
Dual Gate Systems
Switch 3 & 4 ON

Locate the Open / Close command button on the Ranger control board. (see figure below) This button will start the gate when pressed once; pressing it again will stop the gate.

Press and release the Open / Close button. The linear actuator should begin to extend. Allow the gate to travel to the factory adjusted extend position. The gate should typically stop short of the desired extended position.

Press and release the Open / Close button again. The linear actuator should begin to retract. Allow the gate to travel to the factory adjusted retract position. The gate should typically be very close to the desired retracted position.





System Reset

Open / Close
Command



Extend



Retract

22 Making Final Adjustments

Once the gate has traveled to the stop position in both directions, adjust the Gate 1 “Extend Limit More or Less” adjustment dials located on the control board.

Turn the adjustment slightly clockwise to close gate more, cycle gate and repeat until close position is correct. If gate is adjusted past the desired closed position turn the adjustment counter clockwise slightly.

Then cycle the gate to verify close position is correct.

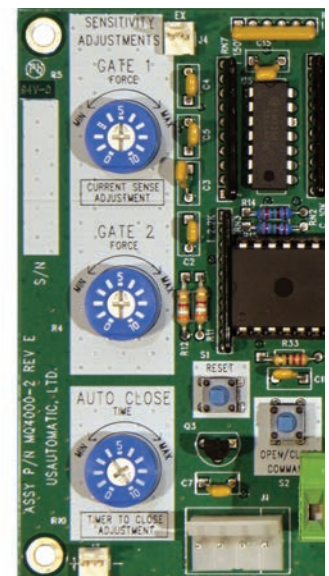
Repeat for second gate using Gate 2 “Extend Limit More or Less” Adjustments.

23 Sensitivity Adjustments and Entrapment Alarm

The Ranger control board has 2 sensitivity adjustment dials located in the upper left corner of the control board. These adjustments control the amount of current the control board will allow the motor to draw from the battery to operate your gate. Minimum force is the least amount of current allowed. This circuit is inactive for the first second of gate operation.

A typical adjustment setting is between 4 to 7 on the adjustment dial. If a setting above 8 is required for proper operation without just cause, you should check the gate, gate hinges or linear actuator for possible problems.

Both sensitivity settings should be individually adjusted on dual gate systems. On single gate systems, adjust the setting for the actuator plug being utilized (Gate 1 or Gate 2) and then match the setting on the other sensitivity adjustment.



Entrapment alarm:

The entrapment alarm installed gives an audible alert whenever the gate sensitivity feature is activated twice before gate reaches an open or close limit.

For example, the gate is closing and is stopped by some object, it will then reverse direction. If the gate encounters a second object before reaching the fully open position it will stop again and enter a hard shutdown, which will set off the entrapment alarm. The alarm will sound for 5 minutes or until the reset button on the control board is pressed and released. The hard shutdown will require the reset button to be pressed to place the gate operator back into operation.

23a Verifying Inherent Entrapment Protection System (Type A) Operation:

Once the gate operator is installed use the table below to determine correct operation.

It is recommended that the current sensitivity adjustment for the gate being tested be set at a setting no greater than 5 for this test.

Gate Opening - Gate is stopped by an object after 1 second of operation	Gate Closing - Gate is stopped first time by an object after 1 second of operation
<ul style="list-style-type: none">• Gate stops and reverses for ~ 2 seconds.• Auto close if turned ON is disabled.• Requires a Push Button, Close, Open or Reset input before normal operation resumes.	<ul style="list-style-type: none">• Gate stops and reverses to full open.• Auto close if turned ON is disabled.• Requires a Push Button, Close, Open or Reset input before normal operation resumes.
Gate Closing after above obstruction – If Gate is stopped a second Time Before Reaching the Close Limit	Gate Opening after above obstruction – If Gate is stopped a second Time Before Reaching the Open Limit
<ul style="list-style-type: none">• Gate stops.• Alarm sounds for 5 minutes until Reset is pressed.• Requires a Reset input before normal operation resumes.	<ul style="list-style-type: none">• Gate stops.• Alarm sounds for 5 minutes until Reset is pressed.• Requires a Reset input before normal operation resumes.



24 Verifying Monitored Entrapment Protection Devices Operation

Effective January 12, 2016 A vehicular gate operator shall have provisions for at least two independent entrapment protection means as specified in current UL325. At installation, both entrapment protection devices must be installed and operational before gate operation is allowed.

24a Verifying Monitored Photo Eye (Type B1) Entrapment device Operation Only:

Operate the gate and verify entrapment protection devices are working properly. Use the table below to determine correct operation.

Type B1 - Photo Eye 2 nd Entrapment - N/C input J2 pin 8 If DS1 switch 9 is OFF this input is ignored. If ON, functions as described below	
Gate Opening Photo Eye Activated 1 st time	Gate Closing Photo Eye Activated 1 st Time
Gate stops and reverses for ~ 2 seconds	Gate stops and reverses to full open
Auto close if turned ON is still active	Auto close if turned ON is still active
Return to normal operation when the sensor is no longer activated.	Return to normal operation when the sensor is no longer activated.
If while closing after reversal above a 2 nd activation occurs before the close limit then	If while opening after reversal above a 2 nd activation occurs before the open limit then
Gate stops	Gate stops
Auto close if turned ON is still active	Auto close if turned ON is still active
Return to normal operation when the sensor is no longer actuated.	Return to normal operation when the sensor is no longer actuated.

24b Verifying Monitored Contact Edge (Type B2) Entrapment device Operation Only:

Operate the gate and verify entrapment protection devices are working properly. Use the table below to determine correct operation

Contact Edge (Type B2) Monitored Entrapment N/O input J2 pin 6 If DS1 switch 10 is OFF then gate will not move. If ON, functions as described below.	
Gate Opening Edge Activated 1 st time	Gate Closing Contact Edge Activated 1 st Time
Gate stops and reverses for ~ 2 seconds	Gate stops and reverses to full open
Auto close disabled	Auto close if turned ON is still active
Requires a Push Button, Close or Open input before normal operation resumes.	If while opening after reversal above, a 2 nd sequential input is received, gate must stop
If while closing after reversal above a 2 nd activation occurs before the 2 seconds then	Requires a Push Button, Close or Open input before normal operation resumes.
Gate stops	Gate Closing Edge Activated 2 nd Time before the close limit then
Auto close disabled	Gate stops
Requires a Push Button, Close or Open input before normal operation resumes.	Auto close disabled
	Requires a Push Button, Close or Open input before normal operation resumes.

25 Programming Transmitter and Receiver

Operating frequency 433.92 MHz.

Receiver can store up to 42 unique transmitter dipswitch code settings.

Transmitter Setup:

(It is recommended that the dipswitch code be changed from the default factory setting)

1. Open the battery compartment door and locate the dipswitches.
2. Change the dipswitches to the settings you prefer, record for future reference in the table below.



Switch Position	Switch 1	Switch 2	Switch 3	Switch 4	Switch 5	Switch 6	Switch 7	Switch 8	Switch 9
+									
0									
-									

Transmitter Left Button to Receiver Programming: (standard Open/Stop/Close function)

1. Press and hold the left transmitter button down. Red light on transmitter should be on.
2. On the receiver, push the P1 push-button until the green LD light comes on.
3. Release both buttons. Transmitter left button to receiver programming is complete.

Transmitter Right Button to Receiver Programming:

(Hold-Gate-Open) (Only if auto close timer is enabled)

1. The 2-channel receiver allows for programming the P2 relay from momentary mode (default) to latching mode. Transmitter right button can be programmed to hold gate open, over-riding the auto-close feature if activated.
2. Press and hold the right transmitter button down. Red light on transmitter should be on.
3. Press the P2 push-button until the green LD light comes on.
4. Release both buttons. Transmitter right button to receiver programming is complete.

Receiver Programming: Relay P2 programming from momentary to latching mode (to hold gate open)

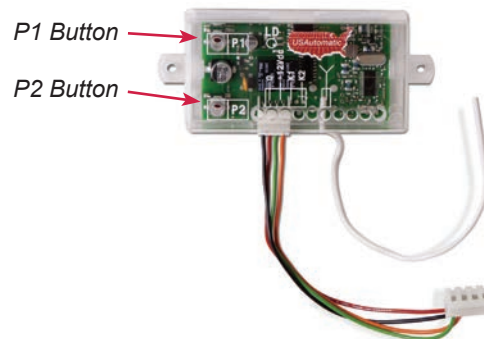
1. Press the P2 push-button until the green LD light comes on, then release. Green LD light should be steady.
2. While the green LD light is on, push the P1 push-button down and release. Green LD light should be flashing. Latching mode is set.

Verifying Receiver P2 relay is programmed to latching mode:

1. Press the P2 push-button until the green LD light comes on, then release.
2. Green LD light should be flashing. If green LD light is steady, redo the Receiver Programming section above.

Resetting receiver P2 relay to momentary mode:

1. Press the P2 push-button until the green LD light comes on, then release. Green LD light should be flashing.
2. While the LD light is flashing, push the P1 push-button down and release. Green LD light should be steady. Momentary mode is set.



Erasing Single Transmitter from Receiver Memory:

The dipswitch settings of the transmitter to be deleted must be known. If known follow the steps below.

1. Set the dipswitches in a transmitter to match the switch settings of the transmitter code to delete.
2. Press and hold the left transmitter button.
3. On the receiver, push the P1 push-button until the green LD light comes on. Then release both.
4. Press and hold the right transmitter button.
5. On the receiver, push the P2 push-button until the green LD light comes on. Then release both.
6. Transmitter is now erased from receiver memory.

Erasing all Transmitters from Receiver Memory:

1. Press the P2 button on the receiver until the green LD light comes on. Then release P2 button.
2. While LD light is on press the P1 and P2 buttons simultaneously and hold until the green LD light begins to blink slowly. It should blink 4 times then all transmitter codes are erased.

26 Install Safety Signs

Install the 2 warning placards in the gate area where they are visible from the inside and outside of the gate. These are required per UL 325 to make persons aware of the possible danger of an automated gate.



27 Emergency Manual Release

Remove the manual release pin at the gate bracket and open the gate by hand. Secure the gate before attempting to pass through.

*Manual Release 1.5"
Diameter Pin*

*Secure in place with pull clip.
Release pin is predrilled for
this purpose.*



PERIODIC SERVICE

All gate operators require periodic checking and adjustments of the control mechanism for force (load), speed and sensitivity.

All accessories and monitored safety devices must be checked. Monitored protection devices need to be checked at least once a month for proper operation.

Periodic checking is also advised for the following:

1. Battery terminals for corrosion, clean with baking soda solution.
2. Hinges and pivot points need to be greased.
3. Mounting bolts for correct tightness.
4. Inspect weld points for cracks or other defects.
5. Inspect wiring for cuts, nicks or other defects.
6. Inspect hinge post to ensure it is not moving or twisting.
7. Verify proper operation of charging system, refer to charge controller operation check.
8. Verify monthly that the inside of the control cabinet remains clean and free of insects. Do not spray control board with bug spray or oil based products.
9. Opening or closing time should be approximately 17 seconds. If the time begins to increase and the gate begins to slow down, the battery needs to be tested.



Accessories

Electric Gate Lock

Part Number 070510

Suitable for solar and AC charged systems.

The Ranger Control Board will energize and release a 12 vdc electric gate lock or de-energize and release a magnetic gate lock 1 second before the gate or gates begin to open.

To activate the electric gate lock delay circuit

Turn DS1 switch 5 on. This also activates the Gate Delay Feature on Dual Gate systems.

Connect the negative (blue) wire from the gate lock to negative post of the battery.

Connect the positive (+12vdc) green wire from the gate lock to J2 Electric Lock terminal 4.

For Dual Gates, see Gate Delay Feature Section.



Magnetic Gate Lock

(Non-US Automatic product)

Not suitable for solar charged systems. Suitable for AC charged systems.

To activate the magnetic lock delay circuit, turn DS1 switch 7 on. Connect the negative wire from the magnetic gate lock to negative post of the battery. Connect the positive (+12vdc) wire from the magnetic gate lock to J2 Mag Lock terminal 6.

NOTE: On dual gates with a magnetic gate lock, it is also necessary to turn DS1 switch 5 on to activate the Gate Delay Feature.

For Dual Gates, see Gate Delay Feature Section.

Exit Sensor (Solar friendly device)

Preferred Technologies CP-3-3W

Part Number 070305

The driveway exit sensor is a magnetic device that installs below ground beside the drive. A magnetic field is established which when interrupted by a moving metal object will send a signal to open the gate. This sensor is supplied with a 80 foot cable and is typically installed inside the property beside the drive to automatically open the gate when a car passes. This type of sensor is not a safety device.

Sensor can be ordered with cable lengths that fit the installation. (Standard 100')

It is recommended to install this sensor and cable in PVC conduit.

Wire as follows: Red wire – connect to J2 pin 1

Shield (braided wire) – connect to J2 pin 2 or pin 7

Black wire – connect to J2 pin 9



Programming Your Wireless Keypad

**050520 or
050500** (*plastic*)



PUK code

050550
(*metal*)



PUK code

Terms to Understand

Access Code – The 2 to 5-digit code used to open the gate (24 unique codes are possible). If access code is less than 5 digits it requires the # sign after code is entered. Example: “2 #.” If code is 5 digits the # sign is not required. Metal keypad uses A or B in place of * and #. **ACCESS CODE CAN NOT BE THE SAME AS THE MASTER PASSWORD.**

Master Password – The 5-digit code used to access programming features. Factory default is “11111”. This should be changed for security reasons. **NOT USED TO OPEN GATE AND CAN NOT BE THE SAME AS THE ACCESS CODE.**

Relay 1 – The receiver has 2 relays. P1 (relay 1) is pre-wired to the J1 connector.

Relay 2 – The receiver has 2 relays. P2 (relay 2) is pre-wired to the “Open/Free Exit” on J1 connector.

Keypad Security Code (Dip Switch Code) – This code makes your keypad unique to your installation. Keypad does not have dip switches like the transmitter; instead it has virtual dip switches which must be programmed.

PUK Code – “Password Unblocking Key.” The PUK code is located inside the keypad and is needed when the master password has been lost. Record in space above for future reference. Must be 5 digits long.

“ * ” **Key** – located on the keypad is used to cancel last command entered.

Red Light Blinks – When blinking, the keypad is sending a signal to the receiver. Valid access code was entered. This is the Blue 5 key on the metal keypad.

NOTE: Do not install keypad until “Create Communication with Receiver P1 (relay 1)” has been completed.

Keypad Programming

Create Access Code: (*Code you use to operate the gate*) ***CAN NOT BE THE SAME AS THE MASTER PASSWORD!**

1. Enter the Master Password “11111”. (this is the factory default master password).
2. Enter “9” If correct, 2 short beeps (if 1 long beep is heard, start over with step 1).
3. Enter the new Access Code (up to 5 digits), if less than 5 digits, “# or B” key is required.
4. Enter “9”
5. Enter the new Access Code again to verify.
6. Enter “1”. If this access code is for P1 (relay 1) Enter “2” if this access code is for P2 (relay 2).
7. If correct, 2 short beeps (if 1 long beep is heard, start over with step 1).
8. Continue with “Create Communication with Receiver” to complete programming.

NOTE: Step 6 above allows you to select a unique frequency (1, 2, 3, 4) for the access code you are creating. Keypad can be programmed with 4 different access codes each having a unique frequency. This is used when multiple gates are within range of the keypad. Create an access code using 1 in step 6 for one gate. Create an access code using 2 in step 6 for the second gate. This allows one keypad programmed with 2 access codes to operate 2 different gates within range or two keypads can be installed on 2 different gates without interfering with each other. If 4 gates were involved then 3 and 4 could be used in step 6. Also used to create a unique access code to activate the hold open feature offered with P2 (relay 2).



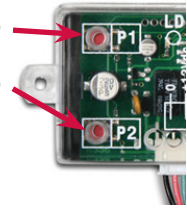
Create Communication with Receiver: *for P1 (relay 1) access code:

1. Carry keypad to receiver location for programming.
2. Enter Access Code for P1 (relay 1) on the keypad and continue to press the last key entered (red light blinks).
3. Press P1 (learn button) on the receiver until LD (green light) comes on and relay clicks.

Receiver

P1 Button

P2 Button



Create Communication with Receiver: *for P2 (relay 2) access code:

1. Carry keypad to receiver location for programming.
2. Enter Access Code for P2 (relay 2) on the keypad and continue to press the last key entered (red light blinks).
3. Press P2 (learn button) on the receiver until LD (green light) comes on and relay clicks.

Programming New Master Password: Once created record here for reference _____

NOTE: The Master Password is NOT an access code. This is a MASTER programming code used to access the programming of the keypad. It is not used to operate the gate.

1. Enter the Master Password "11111".
2. Enter "8" If correct, 2 short beeps (if 1 long beep is heard, start over with step 1).
3. Enter the Master Password (up to 5 digits), if less than 5 digits, "# or B" is required.
4. Enter "8"
5. Enter the Master Password again to verify.
6. Press "8" If correct, 2 short beeps - New Master Password is set (If 1 long beep is heard, start over with step 1).

Programming Master Password Back to Factory Default: (11111)

1. Enter "11111".
2. Press "8" (long beep).
3. Enter PUK code. (PUK must be 5 digits).
4. Press "8".
5. Enter PUK code to confirm.
6. Press "8" (2 beeps) Master password reset complete.

Receiver Programming

Relay P2 programming from momentary to latching mode (to hold gate open)

1. Press the P2 push-button until the green LD light comes on, then release. Green LD light should be steady. If flashing latch mode is set.
2. If not flashing release P2 immediately and press P1 once.
3. Green LD light should be flashing. Latching mode is set.

Verifying Receiver P2 relay is programmed to latching mode:

1. Press the P2 push-button until the green LD light comes on, then release.
2. Green LD light should be flashing. If green LD light is steady, redo the Receiver Programming section above.

Deleting Single Access Code:

1. Enter the Master Password.
2. Press the "7" key. If correct, 2 short beeps (if 1 long beep is heard, start over with step 1).
3. Enter the Access Code to be deleted.
4. Press the "7" key. (cont. next page)

5. Reenter the Access Code to be deleted.
6. Press the "7" key. If correct, 2 short beeps (*if 1 long beep is heard, start over with step 1*).

Deleting All Access Codes:

1. Enter the Master Password.
2. Press the "7" key. If correct, 2 short beeps (*if 1 long beep is heard, start over with step 1*).
3. Reenter the Master Password.
4. Press the "7" key.
5. Reenter the Master Password.
6. Press the "7" key. If correct, 2 short beeps (*if 1 long beep is heard, start over with step 1*).

Changing Keypad Security Code:

This keypad has a virtual dipswitch used to create your Security Code. The virtual dipswitch contains nine 3-position switches. To ensure neighboring keypads do not interfere with each other, the virtual switches should be positioned in a random pattern, using the following procedure.

Example of random positioning of the virtual dipswitches to create a Security Code is shown below. To enter the Security Code, enter the dipswitch number, followed by the dipswitch position character.

The Security Code would be entered as: 1# 20 3* 4* 5# 6* 7# 80 9*

Dipswitch Position	Switch 1	Switch 2	Switch 3	Switch 4	Switch 5	Switch 6	Switch 7	Switch 8	Switch 9
# or B	X				X		X		
0		X						X	
* or A			X	X		X			X

Use table below to create your random security code and follow steps below to program your keypad.

Dipswitch Position	Switch 1	Switch 2	Switch 3	Switch 4	Switch 5	Switch 6	Switch 7	Switch 8	Switch 9
# or B									
0									
* or A									

1. Enter the Master Password.
2. Enter "6" If correct, 2 short beeps (if 1 long beep is heard, start over with step 1).
3. Enter the Security Code created in the previous table. If correct, 2 short beeps after each switch number and switch position combination is entered.
4. Enter "# or B"
5. Enter "6"
6. If correct, 2 short beeps (if 1 long beep is heard, start over with step 1).



7 Day Timer (Solar friendly device)

Part Number 550015

The optional 7 day timer can be used to open the gate at a preset time and if the auto close feature of the gate operator is being used the gate can then close automatically at a preset time. The timer is supplied with 3 spade terminals for easy connection. Connect wires from timer to control board J2 connector as follows:

- J2 Pin 1 (+12vdc) connect to pin 1
- J2 Pin 2 (Gnd) connect to pin 2
- J2 Pin 9 (Normally Open) connect to pin 4



Photo Eye - Vehicular Protection Only

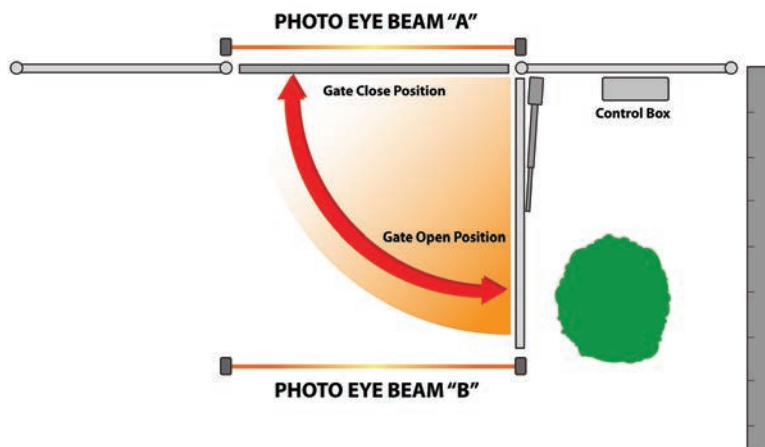
Part Number 550010

Wiring Photo Eye to Ranger Control board

(Control Board part #500510 only)

Photo eyes are recommended for all gate installations to provide safety and protect objects that might be in the gate path. Typically a swing gate needs two sets of photo eyes for the best area protection (see figure).

One set of photo eyes pointing across the drive on the outside of the hinge post (A). The second set mounted across the drive at the point where the gate is fully opened (B). The photo eye must be installed where the gate does not break the beam.



The primary unit (Receiver) should be installed close to the control box.

It requires 4 wires to be installed from the unit to the control box.

The second unit (Transmitter) should be installed on the opposite side of the drive.

It requires 2 wires to be installed from the unit to the control box.

The two units must face each other to establish the beam (maximum distance 40 feet).

The Photo Eye Power Management software installed in the control board makes it possible to power photoeyes without pre-maturely draining the battery.

When utilizing the PEPM software the photo eye will only be powered up when the gate is about to close or traveling in the closed direction. The PEPM software allows the gate to be held open without battery drain and does not require any additional solar panels.

Installing Photo Eye For Vehicular Protection Only

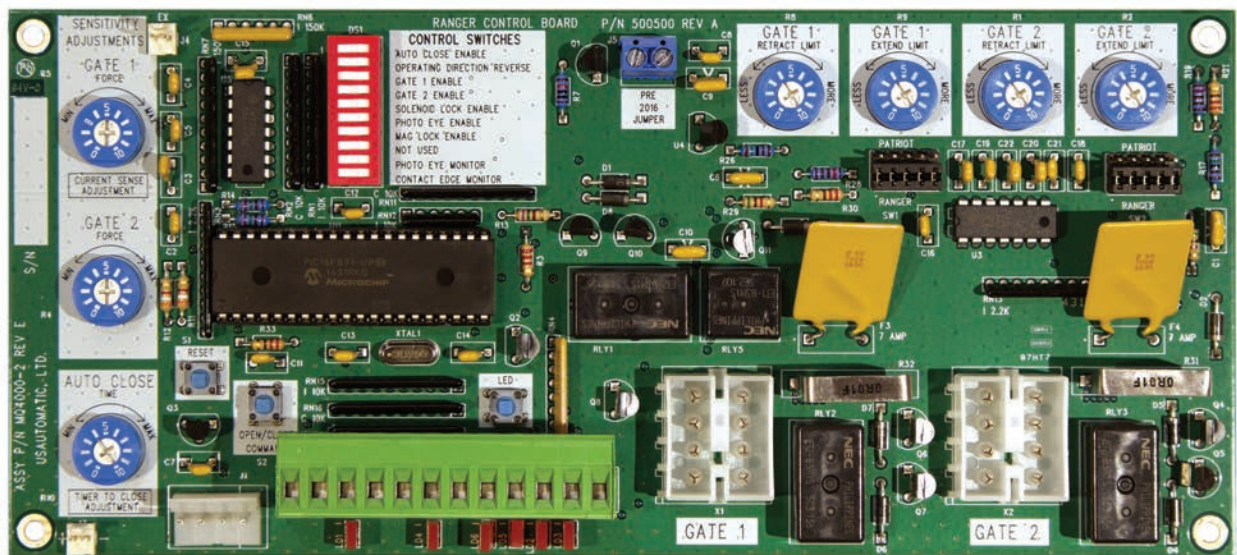
The photo eye must be wired as shown and the correct dipswitches must be turned on for the PEPM software to work correctly. Detailed instructions are below with illustration.

NOTE: Monitored UL325 photo eye installation instructions refer to installing monitored photo eyes section of this manual.

1. Connect photo eye power wire +12 vdc to J2 pin 5.
2. Connect photo eye power ground to J2 pin 2 or pin 7.
3. Wire the RX relay N/O contact from the photo eye to J2 pin 11.
4. Wire the RX relay common from the photo eye to J2 pin 2 or 7.
5. Turn OFF DS1 switch 3 and 4 (temporarily to provide power for installation)
6. Turn on dipswitch DS1 switch 6 photo eye power enable.
7. Install Photo eye and adjust beam – verify proper operation.
8. Once installed turn ON DS1 appropriate dipswitches for gate 1 or gate 2 or both for dual gates.

Test photo eye for proper operation, when gate is closing and beam is broken gate should stop and reverse to full open. If gate is open and beam is broken gate will not close.

NOTE: Power is applied to photo eye just before gate operation begins and turns off when gate stops.



Garage Door Receiver

Part Number 030214

The receiver provided with the Ranger gate operator operates at 433 MHz and might or might not be compatible with your garage door. If receiver frequency is not compatible the optional "Garage Door Receiver kit" can be easily installed in the garage.

The kit contains receiver, transformer and a wire harness that easily installs to the existing garage door. One receiver will be needed for each garage door. All existing transmitters used for garage door will continue to operate. They are not being disconnected. Mounting hardware included.

To program open receiver box cover. Place small screw driver in slot to open. Press the learn button. Then press the transmitter button that will be used to open the garage. See garage operator for connecting the 2 wires supplied.

If needed, 4 button transmitters are available.



Push to Operate Wireless Button

Part Number 030215

The Push to Operate transmitter is designed for indoor or outdoor wireless installation. Install to allow operation of the gate or garage by simply pressing the pad. The button is a pressure sensitive pad. Press the pad and an audible tone is generated. Programming is identical to transmitter programming. Installation hardware is included. Compatible with all USAutomatic receivers.

Programming Push to Operate

1. Install Battery.
2. Place hand on face plate. - Unit should beep while hand is in place.
3. While beeping, press the P1 button on receiver for open and close operation.
4. Hold P1 button about 2 seconds. When gate moves, programming is complete.



2 Button LCR Transmitter

Part Number 030210

Standard Transmitter for all USAutomatic operators

Operating Frequency 433.92 MHz



4 Button LCR Transmitter

Part Number 030212

Operating Frequency 433.92 MHz



I2/24 Receiver AC/DC

Part Number 030207

- Ideal for all brands of gate operators powered by AC. Not recommended for solar applications.
- Dual channel normally open contacts.
- Two relays - Primary relay momentary, secondary relay has momentary or latching mode.
- Standby current consumption 15ma.



External Reset Button

Part Number 630060

Plugs into Ranger Control Board and provides an external system reset option. (not waterproof)



Charge Cable Extension Pigtails

Part Number 630038

Provides easy splicing of charging device cable. Works with AC Transformer and Solar Panel.



Monitored Entrapment Device Expansion Module

Part Number 500015

The expansion module is designed to monitor for the connection and proper operation of multiple monitored external entrapment devices.

If the installation requires more than 1 monitored contact edge or 1 monitored photo eye the expansion module must be installed.

Monitors up to 5 monitored contact edges (10K resistor) and up to 4 monitored photo eyes (N/C contact) for a total of 9 devices.



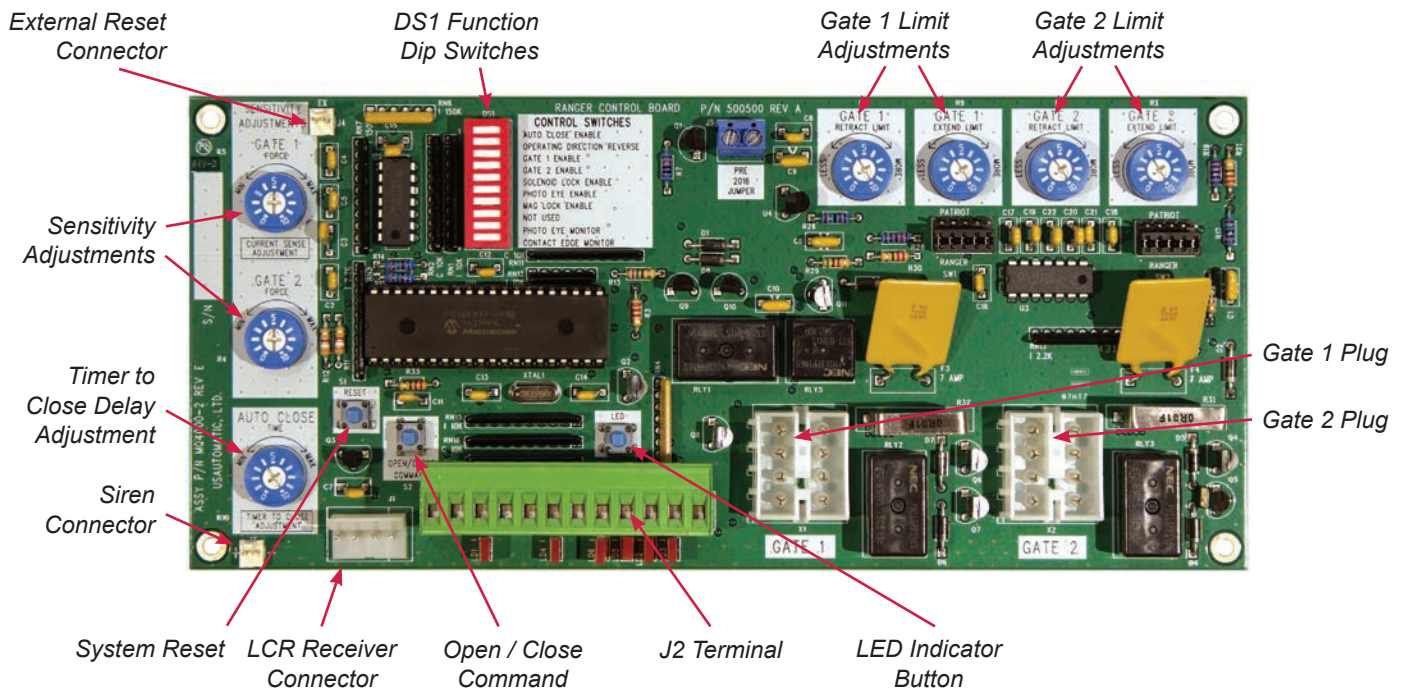
Troubleshooting Guide

Introduction

The Ranger control board is equipped with three unique features to assist in troubleshooting a gate system.

1. The first and most helpful is the series of LED indicating lights. These lights will help to identify problems with the actuator limit switches and all control circuits. To use the indicators, press and hold the “LED Indicator” button on the control board. (The LED’s are not active unless the LED indicator push button is pressed and held to save battery life). Any circuits or limit switches that are activated will be obvious by the illumination of the adjacent LED.
2. The third feature to assist in troubleshooting is the on board “Open / Close Command” pushbutton. This button makes it possible to operate the gate with the twelve terminal wiring plug removed without having to short across terminal pins.

Ranger Control Board



Terms and Definitions

LED -Light Emitting Diode - small red lights on control board below J2 Terminal plug.

Control board - Located inside the control box in the upper right corner.

Receiver - Located inside the control box on the left side.

Remote/Transmitter - Hand held unit with 2 buttons, used to operate the gate, sends signal to receiver when button is pressed.

Linear Actuator - Connected to gate and hinge post - contains the motor, gearbox, rotary potentiometer and extension tube.

Connector - Control board has three types of connectors. Two white 8-pin connectors labeled Gate 1 and Gate 2 (X1 and X2) are used to connect actuator to control board, and one green 12 pin connector (J2) (located bottom center of control board) to connect accessories to control board and One white 2 pin plug that connects the entrapment siren to J3. All three are plug type and can be disconnected (unplugged from control board) without disconnecting wires.

Push Buttons - Three are located on the control board. "Open / Close Command" used to operate the gate, "LED Indicator" used to activate the LED's and "Reset" used to reset the control board after current sensing twice before a limit is reached.

Dip Switches - Small switches, which are located on the control board. DS1, is located in the upper center of the control board with functions listed beside each.

Sensitivity adjustments - Located on the control board. These adjustments are the primary safety feature. If the gate comes in contact with an object it will stop and reverse. These adjustments control the amount of force applied to an object before reversing the gate.

Charge Controller - Located inside the control box. This is the battery charger. The input power for this device can be either from a transformer or from a solar panel.

Transformer - This device connects to a 110 VAC electrical outlet and converts it to a low AC voltage that can be connected to the charge controller to provide continuous charging of the battery.

Retract and Extend Limit - This refers to the open or close stop position and are adjusted on the control board.

Entrapment Siren - If the control board sensitivity circuit senses an obstruction it will reverse the gate and if a second obstruction is detected before the gate reaches a fully open or close limit the control board will shut down the operator and sound the entrapment alarm for five minutes or until the "Reset" button is pressed.

Gate 2 - is defined as the 2nd gate on a dual gate system.



Summary of Symptoms Included in This Guide

1. Single gate will not operate.
2. Dual gate will not operate.
3. My single or Dual gate will not operate. Monitored entrapment devices are installed.
3. My gate opens/closes slowly.
4. My Gate will not automatically close.
5. Gate begins to open or close, but stops and reverses after a couple of seconds.
6. Single Gate opens or closes correctly, then immediately reverses direction.
7. Dual Gate opens or closes correctly then immediately reverses direction.
8. Transmitter (Remote control) will not operate the gate.
9. Photo eye, safety loop or other safety accessory will not reverse the gate when closing.
10. Pressing the "RESET" button only, causes the gate to operate.
11. Gate opens with the transmitter but will not close with the transmitter.
12. Gate only operates when the "LED INDICATOR" is pressed.
13. Charger / Charge Controller "External Power or Solar Power Light & Detection light are ON.
14. Gate Fully Open and Close Stop Positions are Changing (not consistent).
15. Battery (AC or Solar Charged) will not stay charged.
16. Wiring harness 15 amp fuse blows when harness is connected to the battery.

1. My single gate will not operate: (Ranger I)

Verify monitored entrapment device switches are set correctly. See installing monitored entrapment devices section.

1. Open the control box cover locate the “Open/Close Command” push button and press it to operate the gate.
2. Press the “Reset” push button located above the “Open/Close Command” button, then push the “Open/Close command” push button to operate the gate.
3. When pressing the “Open/Close Command” push button, listen for a clicking sound, if click is heard then verify:

Check the dipswitches (3 and 4) for correct switch settings based on where the actuator is connected to the control board (Gate 1 or Gate 2). If switches are correct and clicking sound is heard, then the battery needs to be load tested to determine its condition. Charge or replace the battery depending on results.
4. Press and hold the “LED Indicator” push button and observe all of the red LED’s
 - a. If any of the LED’s below the J2 terminal plug on the control board are on then this must be corrected. These lights correspond to the J2 accessory input terminals.
 - b. Identify the light that comes ON and then the J2 terminal number it is associated with.
 - c. Locate the accessory, which is connected to that J2 terminal number
 - d. Disconnect the accessory wire from that J2 terminal and verify gate operation.
5. Disconnect the green J2 connector. Once disconnected, press the “Open/Close Command” button.

If gate operates go to step 4 b above.
6. Call the factory for more information if the above steps have not worked.



<p>2. My dual gate will not operate. (Ranger II)</p> <p>Verify monitored entrapment device switches are set correctly. See installing monitored entrapment devices section.</p>	<ol style="list-style-type: none"> 1. Follow steps 1 through 7 above. 2. Disconnect the actuator connectors plugged into the control board Gate 1 and Gate 2 (X1 and X2). Then locate the DS1 dipswitches on the control board. Turn off switch 4 (down on left side) and turn on switch 3 (down on the right side). <p>Reconnect the connector from the actuator that goes to the gate closest to you. Connect it to the Gate 1 (X1) connector on the control board. Press the “Open/Close Command” button and verify that the gate operates.</p> 3. If the gate operates correctly, disconnect the actuator plug and connect the other actuator plug into the Gate 1 (X1) connector. Press the “Open/Close Command” button and verify that the gate operates correctly. At this point you have tested each actuator individually. If both worked correctly in Gate 1 then go back to DS1 and turn switch 3 off and switch 4 on. Then repeat step 2 and 3 again using Gate 2 (X2) connector on control board in place of Gate 1 (X1). 4. If a problem is observed in steps 2 or 3 above most likely it was when the Gate 2 actuator (located the greatest distance from control box) was being tested. If this is correct check wiring splices for moisture, correct wiring etc. If the wiring is not in watertight conduit, this is most likely the problem. Tape is not watertight. Splices should never be underground.
<p>3. My single or Dual gate will not operate. Monitored entrapment devices are installed.</p> <p>Identify the monitored entrapment device/ devices installed - Photo Eye or Contact Edge.</p>	<p>Contact Edge with 10K resistor monitoring -</p> <ol style="list-style-type: none"> 1. Verify that dip switch DS1 switch 10 (contact edge monitor) is ON pressed down on the right hand side.. 2. Press and hold the LED indicator on the control board. 3. Verify the D5 LED (Contact edge 2nd entrapment) located bottom left corner of the control board is ON dimly. 4. If not using a DC voltmeter measure the voltage on J2 pin 6 to ground reading should be approx. 2.5 Vdc. 5. Activate the contact edge by depressing it and verify the D5 LED is ON bright now or the voltage drops to 0 Vdc. 6. If reading is 5 Vdc then check wire connections from contact edge for proper connection. 7. If wire connections are correct then disconnect the contact edge wires from the J2 connector. 8. Using an ohm meter verify the resistance measured between the 2 contact edge wires, should be 10K. 9. If not contact edge is bad.



	<p>Photo Eye N/C contact monitoring -</p> <ol style="list-style-type: none"> 1. Verify that DS1 dip switch 6 is ON press down on the right hand side. 2. Verify that dip switch DS1 switch 9 (photo eye monitor) is ON press down on the right hand side. 3. Turn dip switch DS1 3 and 4 OFF. Allows power to be applied to photo eye. 4. Press and hold the LED indicator button located on the control board. 5. Verify that LD6 LED (Photo eye N/C 2nd entrapment) located bottom left corner of the control board is ON. 6. If not verify alignment between photo eye transmitter and receiver. Correct if necessary. 7. If not then check wire connection from photo eye for proper connection. 8. If LD6 is ON verify that the LD6 Led goes OFF when photo eye beam is broken. 9. If LD6 does not turn OFF when beam is broken then photo eye is bad.
<p>4. My gate will not automatically close</p>	<p>NOTE: If DS1 switch 1 is on then the gate should automatically close from any position.</p> <ol style="list-style-type: none"> 1. Locate the “Open/Close Command “ push button. Press the button to verify that the gate will close. If gate closes correctly then proceed to the steps below. 2. Verify that DS1 switch 1 is on. If not, turn it on and recheck gate operation. If gate remains open, continue with step 3. 3. If your installation is a single gate, then only DS1 switch 3 or 4 can be on. If both are on the gate will not automatically close. Turn off the one that is not being used and recheck gate operation. 4. Locate the “LED Indicator” push button and depress and hold. While pushing the button inspect the LED indicators located on the control board (under the J2 Terminal Plug) and note which LED’s are on. If any LED’s are on disconnect the green J2 connector from the control board. Press the “Open/Close Command “ push button to close the gate. Press the button again to open the gate fully and verify the automatic close is working. 5. If gate automatically closes correctly, then the accessory connected to the J2 connector that is activated (LED is on) needs to be repaired.



<p>5. Gate begins to open or close but stops and reverses after a couple of seconds</p>	<ol style="list-style-type: none"> 1. Open the control box cover and locate the Ranger control board. Locate the sensitivity adjustment potentiometer located on the control board. The white center is adjustable and needs to be turned in a clockwise direction to increase force. 2. Normally a setting of 5 will operate most gates; if your gate requires a setting above 8 there is a good chance that your gate has a problem, which needs to be corrected. Possible causes are incorrect hinges, gate touching the ground; gate not level or the actuator arm connected to the gate defective or is bent. Identify and correct problem.
<p>6. Single Gate opens or closes correctly, then immediately reverses direction.</p>	<ol style="list-style-type: none"> 1. This is most likely caused by an incorrect limit switch adjustment. The limit switch adjustments are located on the circuit board.
<p>7. Dual Gate opens or closes correctly then immediately reverses direction.</p>	<ol style="list-style-type: none"> 1. This is most likely caused by an incorrect limit switch adjustment. First determine which gate is in need of adjustment. 2. Locate the DS1 switches on the Ranger control board. Switch 3 and 4 should be turned on for a dual gate, turn off switch 4. This will disable one gate. 3. Operate the gate and verify that it stops in the correct position. If so then turn switch 4 back on and turn switch 3 off. Operate the other gate now and verify that it stops in the correct position. One or both may not stop in the correct position. 4. Once the gate that needs adjustment is identified (possibly both) refer to problem 6 above steps 1 and 2.



8. Transmitter will not operate the gate.
(LCR radio equipment only)

1. Open the control box and locate the Ranger control board. Locate the “LED Indicator” push button and the “Push Button Input” LED under J2 Terminal 3. Push and hold the “LED indicator” push button, then press the transmitter button and observe the “Push Button Input” LED. The LED should come on while the transmitter button is depressed.
2. If the “Push Button Input” LED did not come on in step 1 then make sure that the white receiver connector on the control board is securely and properly connected, replace the battery in the transmitter and verify that the transmitter is programmed to operate the receiver (refer to “programming receiver and transmitter”).
3. If the “Push Button Input” LED in step 1 did come on and the gate did not operate then locate the “Open/Close Command” button located at the bottom center of the Ranger control board. Press the “Open/Close Command” button and note gate operation.
4. If the gate did not operate in step 3, most likely a safety accessory connected to the green J2 connector is active. Verify this by depressing the “LED Indicator” push button and observe the LED’s located below the J2 terminal plug of the Ranger control board. If an LED is on, identify the accessory connected to the corresponding J2 connector terminal and correct the problem.
5. Other possibilities are: both the open and close limit switches are activated at the same time, adjust limit switches. Control board is defective or battery could be too weak to operate the gate. Please call the factory for help identifying the cause.



<p>9. Photo-eye being used for vehicular protection will not reverse the gate when closing or hold the gate open.</p> <p>*NOTE: the photo eye being used CANNOT have a 10k resistor installed for this application. 10K resistor must be removed for vehicular protection use.</p>	<ol style="list-style-type: none"> 1. The first thing to check is the accessory wiring. The accessory needs power (+12 vdc) wired to J2 terminal 5 on the Ranger control board. It also needs ground, which can be wired to the battery or to J2 terminal 2 or 7 on the Ranger control board. The other two connections are the "N/O (Normally Open) and Common ground". The common ground can be connected to the battery or to J2 terminal 2 or 7 on the Ranger control board. The N/O connection must be connected to J2 terminal 11 "Safety Loop / Reversing Edge Input". If the accessory is connected as described above it should reverse a closing gate or hold a gate open if the accessory is activated. 2. To determine if the accessory is working correctly and that the Ranger control board is receiving the signal, locate the "LED Indicator" push button and the "Safety Loop / Reversing Edge Input" LED (located below the J2 terminal plug of the Ranger control board). 3. Press and hold the "LED indicator" push button and observe the "Safety Loop / Reversing Edge Input" LED. Activate the accessory in question (if photo-eye break the beam.) If the accessory is working properly, the LED light should come on when the device is activated. If the device does not turn on the LED light, check the wiring on the J2 connector and check J2 connector connection to the Ranger control board. If wiring is good, then the accessory is not operating correctly. Repair. 4. If the "Safety Loop / Reversing Edge Input" LED comes on and the gate does not reverse direction when closing, call the factory for other possible causes and return information.
<p>10. Pressing the "RESET" button only, causes the gate to operate</p>	<ol style="list-style-type: none"> 1. This problem is probably due to a bad receiver. First locate the "LED Indicator" push button on the Ranger control board. Then locate the "Push Button Input" LED located below the J2 terminal plug of the Ranger control board. 2. Press the "LED Indicator" button and observe the "Push Button Input" LED. If the LED comes on then the receiver relay is stuck closed and needs to be repaired or replaced. 3. If the "Push Button Input" LED does not come on, call the factory for further troubleshooting and return information.



<p>11. Gate opens using transmitter, but will not close using transmitter. (LCR receiver only)</p>	<ol style="list-style-type: none"> 1. The problem is most likely the programming of the LCR receiver (P2 relay is programmed to latch mode) 2. On the Ranger control board locate press and hold the “LED Indicator” pushbutton. 3. Look below the J2 terminal plug of the Ranger control board and note any LED’s that are on. 4. If the “Free Exit/Open Input” is on then the receiver (P2) is programmed to latch mode. 5. Go to “Resetting receiver P2 relay to momentary mode” section. 6. If this does not correct the problem return to troubleshooting section 4 and perform steps 1-5. 7. If problem is not corrected, call the factory for further troubleshooting.
<p>12. Gate only operates when the “LED INDICATOR” is pressed.</p>	<ol style="list-style-type: none"> 1. An accessory wiring problem or a bad control board can cause this. This problem can be intermittent and possibly take a little patience in locating the problem. 2. Verify that the problem exist when using the “Open /Close Command” on the control board. Press the “Open/Close Command” push button and verify gate will not operate. 3. Press the “Led Indicator” on the control board and hold then press the “Open/Close Command” push button on the control board. If the gate operates proceed to step 4. 4. Remove the J2 accessory-wiring plug from the control board. This connector can be disconnected from the control board by placing a finger under the plug and pulling to remove. 5. Press the “Open/Close Command” push button and verify gate operation. If gate operates then reconnect the J2 connector and verify gate operation using the “Open/Close Command” push button. If gate fails to operate when the J2 connector is reconnected then the problem is most likely in the accessory wiring. Most likely a bad ground connection on the accessory verify all wiring on the accessories connected to the J2 connector. 6. If gate fails to operate when the J2 connector is disconnected then the control board is most likely the problem. Please contact the factory for further troubleshooting options. <p>NOTE: Keep in mind that this is an intermittent problem and it might be necessary to try this a few times to verify the problem.</p>



<p>13. Charger / Charge controller “External Power or Solar Power Light & Detection Light are ON.</p>	<ol style="list-style-type: none"> 1. This indicates that the battery is not connected to the charger / charge controller. 2. Verify that the 2 wire harness going to the battery is connected to the battery and also connected to the charger / charge controller.
<p>14. Battery (AC or Solar Charged) will not stay charged</p>	<ol style="list-style-type: none"> 1. The most common reason for this type of problem is a bad battery. It is highly recommended that the battery be load tested at a battery store to verify that it is good. The load test is the only sure way to know if we have a good battery. 2. If the battery load test good then other items need to be checked such as system design, installation or possible charging problems with the system charger / charge controller. <p>System design and Installation</p> <ol style="list-style-type: none"> 1. Verify the solar panel is facing in a South to Southwest direction and that the panel surface is not shaded by some object. 2. System design refers to the accessories connected to the system. Accessories connected to the system cannot use more energy than the charging system can provide. Not all accessories are created equally and some manufacturers use much more energy than others to perform the same function. These concerns are minimized in an AC charged system where the charger has power connected to it continually. <p>AC Charged Systems ONLY</p> <ol style="list-style-type: none"> A. If your system is equipped with the USAutomatic charger / charge controller part # 520006 and is AC charged (not solar) verify the charger / charge controller is properly working. The “external Power” light should be ON and either the “Charging or Charged” light should be ON. B. If the “external power” light is not ON then check the 120 VAC outlet the transformer is plugged into for the correct voltage and correct problem if necessary. C. If the 120 VAC power checks good then disconnect the transformer from the charger / charge controller “Power In” plug and using a volt meter check the transformer output. The transformer should read about 18 VAC, if the transformer output is incorrect the transformer needs to be replaced with USAutomatic part # 520004



	<p>Solar Charged Systems ONLY</p> <ol style="list-style-type: none"> 1. If your system is equipped with the USAutomatic charger / chargecontroller part # 520006 and is solar charged (not AC) verify the charger / charge controller is properly working. The “Solar Power” light should be ON and either the “Charging or Charged” light should be ON. This can only be verified when the sun is directly on the solar panel. 2. If the “solar power” light is not ON then using a voltmeter check the output of the solar panel for the proper voltage. 3. Remove the solar panel plug from the charger / charge controller “power In” plug and measure the DC voltage from the solar panel. It typically should be about 19 to 22 VDC. This reading must be taken when the sky is clear and the sun is up directly on the panel. <p>NOTE: This reading does not guarantee the solar panel is outputting the correct current to keep the battery charged, but it is a good first check.</p> <ol style="list-style-type: none"> 4. If the solar panel DC voltage checks good and the “solar power” light does not come ON when connected to the charger / charge controller then it is bad, replace with USAutomatic part # 520006.
<p>15. Charger / Charge Controller “Detection” Light is ON</p>	<ol style="list-style-type: none"> 1. Battery is not connected to the charger / charge controller. 2. Check wiring harness connection to the charger / charge controller 3. Check wiring harness connection to the battery terminals.
<p>16. Wiring harness 15 amp fuse blows when harness is connected to the battery</p>	<ol style="list-style-type: none"> 1. Possible short in the wiring harness.



Appendix

A The Ranger Solar Charged System

The solar option allows you to install the gate operator in remote areas or in applications where you prefer to be solar charged. Solar charging provides isolation from lightning that might damage the unit via the AC power needed for the transformer.

The Ranger gate operator is designed to provide enough cycles a day for most installations without needing more than one solar panel. Care must be taken to ensure the solar panel has full sun throughout the day; partial sun will give partial results. If no sun is present then a solar system is not practical no matter how many panels might be installed. Solar Panel must be kept clean and in full sunlight.

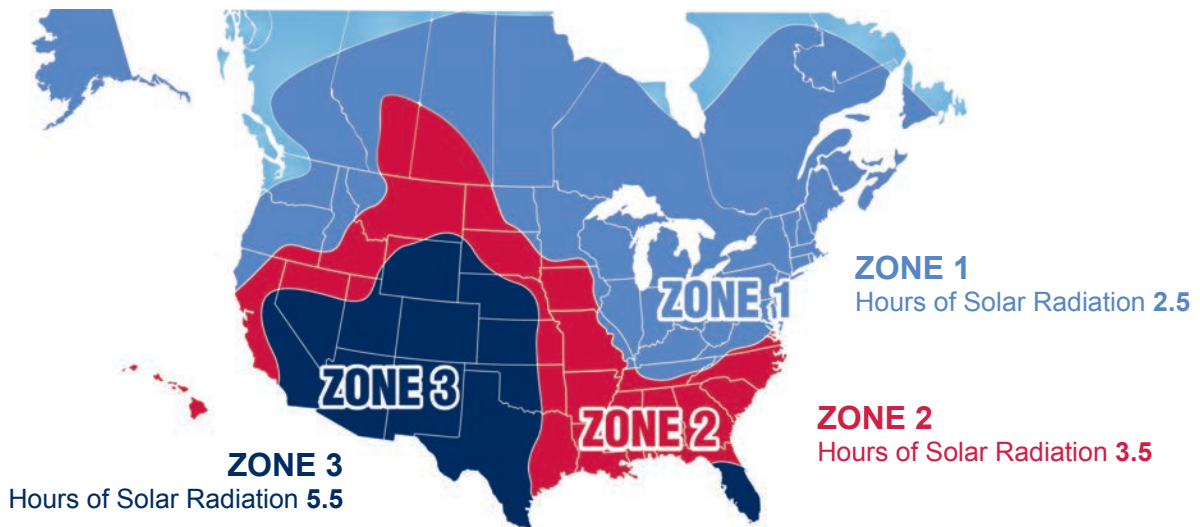
The design of the system must pay particular attention to any accessories that might be added, use only Solar Friendly accessories to help avoid premature battery failure. For a complete list of accessories please visit www.usautomatic.com.

GATE CYCLES PER DAY SOLAR CHARGED SYSTEM (Optional Solar Kit PN #520025)

Solar charged systems should not exceed the cycles listed in the chart below. These numbers are based on a single 6 watt solar panel installation. If additional panels are installed additional cycles will be available.

Model Type	ZONE 1	ZONE 2	ZONE 3
Ranger I Single Gate	25 cycles per day	40 cycles per day	80 cycles per day
Ranger II Dual Gate	13 cycles per day	22 cycles per day	45 cycles per day

Region 1 covers the area of the country receiving the least amount of solar radiation. On average the amount of charge time is 2.5 hours in region 1, 3.5 hours in region 2 and 5.5 hours in region 3.



These are conservative numbers and the Ranger operator should have no problem performing as stated in the chart above. See Region Map above to determine cycles that can be expected. These numbers are based on a basic system with the standard 6 watt solar panel. Adding solar friendly accessories will not have any great affect on the numbers stated. Using other accessories can cause premature battery failure.

B Extending Charge Device Location (AC or Solar)

If charge device cable needs to be extended to reach the charge controller use “Ranger Charge Cable Extension Pigtails” Part Number 630038 (see figure). These DC plug pigtails connect to each end of a customer provided extension cable. Connections should be made in customer provided water tight box. Use charts below to determine wire size needed for the distance to be extended. The cable must be a 2 conductor cable, stranded wire recommended.



Do not modify the transformer or solar panel cable, this will void the product warranty.

1. Splice mate for the charge controller to cable end located in control box.
2. Splice mate for the charge device to cable end that connects to charge device.
A water tight junction box should be used to keep connections dry.
3. Install DC plug connection and splice into junction box.

Charge Cable Extension Cable Selection Chart				
Transformer Extension Wire Size Chart				
0 to 100 ft	101 to 250 ft	251 to 500 ft	501 to 750 ft	750 to 1000 ft
18 gauge wire	16 gauge wire	14 gauge wire	12 gauge wire	10 gauge wire
Solar Extension Wire Size Chart				
	15 to 100 feet	100 to 250 feet	250 to 500 feet	
	18 gauge wire	16 gauge wire	14 gauge wire	

The wire used must be rated for Direct Burial use, unless in conduit. Wire ran in conduit must be rated for outdoor use. The above Table lists the recommended wire gauge per application length. Using a smaller gauge may impede performance or cause system to malfunction



C

CHARGE CONTROLLER

L.E.D. DESCRIPTIONS

EXTERNAL POWER ADAPTOR - Illuminates continuously while power from A.C. Power Supply Adaptor is sensed.


SOLAR PANEL - Illuminates continuously while power from Solar Panel is sensed.

DETECTION - If illuminated for longer than 3 seconds check connection on battery.

CHARGING - Continuous or flashing indicates charging – refer to Charge Algorithm Section, for further details.

CHARGED - On continuously when input power is present and battery fully charged. Flashes when battery capacity is low.

SYSTEM ERROR - If flashing, the charger has entered Failure Mode. Disconnecting power will reset charger, but if source of failure is not corrected, Failure Mode will occur again.- refer to the following Table to Decode the Error Type:

	L.E.D.s (First 4 L.E.D.s from Left)			
	1st	2nd	3rd	4th
Wrong Battery Voltage	Off	Off	Off	Flash
Reverse Battery Connection	Off	Off	Flash	Off
Thermal Runaway Condition	Off	Flash	Off	Off
Charge Time Monitor - 1	Off	Flash	Flash	Off
Charge Time Monitor - 2	Off	Flash	Flash	Flash
Excessive Battery Drain	Flash	Off	Off	Off
Failed Pre-Qualification Test -1	Flash	Off	Off	Flash
Failed Pre-Qualification Test -2	Flash	Off	Flash	Off

NOTE:

- If External power and Detection lights are ON then the battery is not connected to the charger.
 - If Solar power and Detection lights are ON then the battery is not connected to the charger.
- Verify that the wiring harness is connected to the charger output located on bottom side of the charger.

POSSIBLE REMEDIES TO CHARGE CONTROLLER 'FAILURES'

WRONG BATTERY VOLTAGE	Charger connected to a 24v battery. Reconnect to a battery rated at 12Vdc.
REVERSE BATTERY CONNECTION	Check and correct any reverse battery.
THERMAL RUNAWAY CONDITION	Old Battery - cells, inside battery, age differently. During charging, and over the course of many years of operation, OR, many battery discharges to levels beyond 100% discharged, this error may occur and the battery(s) may have to be replaced.
CHARGE TIME MONITOR – 1 and 2	<p>Battery pack took too long to complete its charge. Possible causes include a load (gate cycling repeatedly for a long period of time) during charging or the battery pack is too large (Many batteries connected in a parallel circuit). Apply the following formula to determine if the Timer may run out due to a large battery:</p> $\text{Charge Time} = \frac{\text{Battery Capacity (AH)}}{2} \times 1.25$ <p>Calculated Charge Time must be less than approximately 108hrs.</p> <p>Output Amps and Battery Capacity (AH - Ampere-hour) are listed on your battery or contact your battery purchasing source.</p> <p>Example: Charge time to for a fully discharged 36 AH battery: $36\text{AH} / 2 \text{ Amps} \times 1.25 = 22.5 \text{ Hrs} - \text{ok to use.}$</p>
EXCESSIVE BATTERY DRAIN	Excessively high number of cycles discharging the battery beyond point of no return. Stop gate, and allow battery time to recharge.
PRE-QUALIFICATION TEST - 1 and 2	During Battery testing, if a battery was previously allowed to discharge to a very low voltage, such as 1 or 2Vdc, the charger puts a low current through the battery to try to get the battery to come back to life. The battery may be taking too long to come back.
NO POWER ON CHARGER	Check the transformer Supply Adaptor Plug-in, or the Solar Panel for proper connection.



D

Installing Ranger Control Board part # 500510 in Pre Jan. 12, 2016 operators

Effective January 12, 2016 all vehicular gate operators manufactured are required to have provisions for and to monitor for at least two independent entrapment protection means. Both are to be installed and operational to meet the standards defined in UL325 6th edition dated October 13, 2013.

UL325 assumes that every swing gate installation has an entrapment area. Requiring all operators to have an external secondary entrapment device installed and monitored before gate operation is allowed.

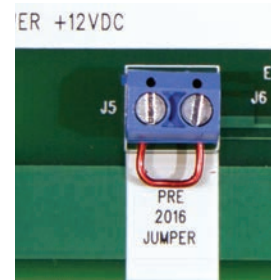
Automated gate operator systems installed before Jan. 12, 2016 are not required by the UL325 standard to be upgraded to the current standard when service is being performed. It is recommended that these systems be upgraded to the current UL325 standard.

NOTE: It is the responsibility of the installer to identify entrapment areas and install the UL325 compliant entrapment protection device or devices to protect each area identified.

What is Entrapment?

The condition of being caught or held in a position that increases the risk of injury. ASTM F2200

NOTE: Ranger control board part # 500510 has been designed to meet both current and past UL325 standards. When installing in a pre-2016 system that is not being upgraded to the current UL325 standard the pre-2016 jumper must be installed.



The secondary entrapment input J2 pin 6 required for pre-2016 systems has not changed and re-wiring of existing secondary entrapment devices is not required.

For this input to operate in pre-2016 mode you MUST turn on DS1 dipswitch 10.

Once installed, use the logic chart below to verify proper operation of the secondary entrapment device installed.

Secondary Entrapment Input J2 pin 6			
Gate Opening Edge Activated 1 st time	ver	Gate Closing Edge Activated 1 st Time	ver
Gate stops and reverses to full close		Gate stops and reverses to full open.	
Auto Close Disabled.		Auto close if turned ON is disabled.	
Requires a Push Button, Close or Open input before normal operation resumes.		Requires a Push Button, Close or Open input before normal operation resumes.	
If while closing after above reversal a 2nd activation occurs before the close limit then		If while opening after reversal a 2nd activation occurs before the open limit then	
Shut down		Shut down	
Require reset before normal operation resumes		Require reset before normal operation resumes	

Important: USAutomatic strongly recommends that all pre-2016 systems be upgraded to the current UL325 standard to provide maximum protection against entrapment.

Ranger Swing Gate Operator

LIMITED WARRANTY

USA Automatic, LTD warrants this product to be free of defects in materials for a period of 3 YEARS following purchase USAUTOMATIC, LTD will repair or replace the product free of charge, including parts, shop labor, return to customer shipping and handling.

Warranty does not cover damage caused by weather, natural disasters or severe acid damage from a battery.

CONSUMER AFTER INSTALL:

If you have operation questions or are in need of warranty service, please contact our Product Support department by email at www.usautomatic.com or call 888-204-0174 Monday-Friday. If the issue is not resolvable, a manufacturer's warranty repair order may be issued. To have the product(s) sent for warranty service, a Return Authorization number (RA#) will be issued which must be written on the outside of the package. Packages without RA # may not be accepted. Packages for warranty service may be sent to the address below.

All repairs or replacements are at the discretion of the Manufacturer. This warranty excludes items that have been abused, altered, incorrectly installed, and damaged by weather or other acts of God. Changes or modifications not expressly approved by the Manufacturer could void the warranty. This warranty is limited to the product only. No consequential damages are covered.

USA Automatic, LTD
118 Hillside Drive
Lewisville, Tx 75057
888-204-0174

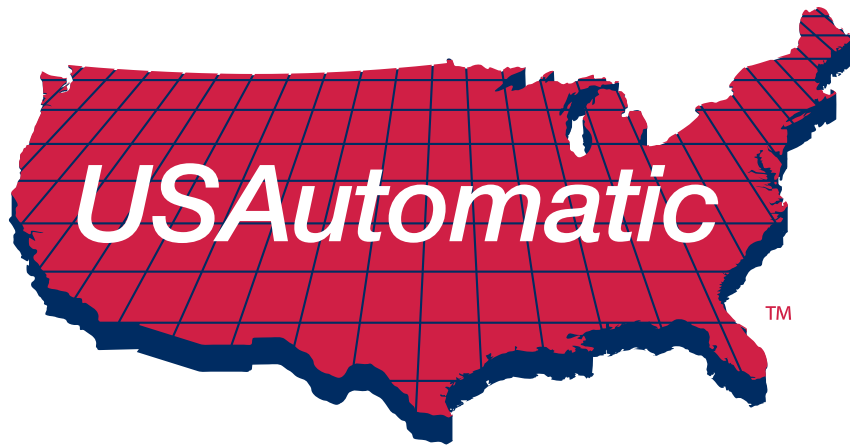
Keep this information for your records

Model: _____ Serial Number*: _____

Date of Purchase: ____ / ____ / ____ Purchased from: _____

**Serial number can be found by opening cover and looking on the control board.*





© **USAutomatic, LTD, 2017 rev. A**

All rights reserved. No part of this may be reproduced by any means without the expressed written consent of the publisher.



PROUDLY MADE IN THE USA

