

## LE-B2, LE-B4, LE-B6, LE-B10

Selective Call Entry Station for Open Voice Systems

Use with:

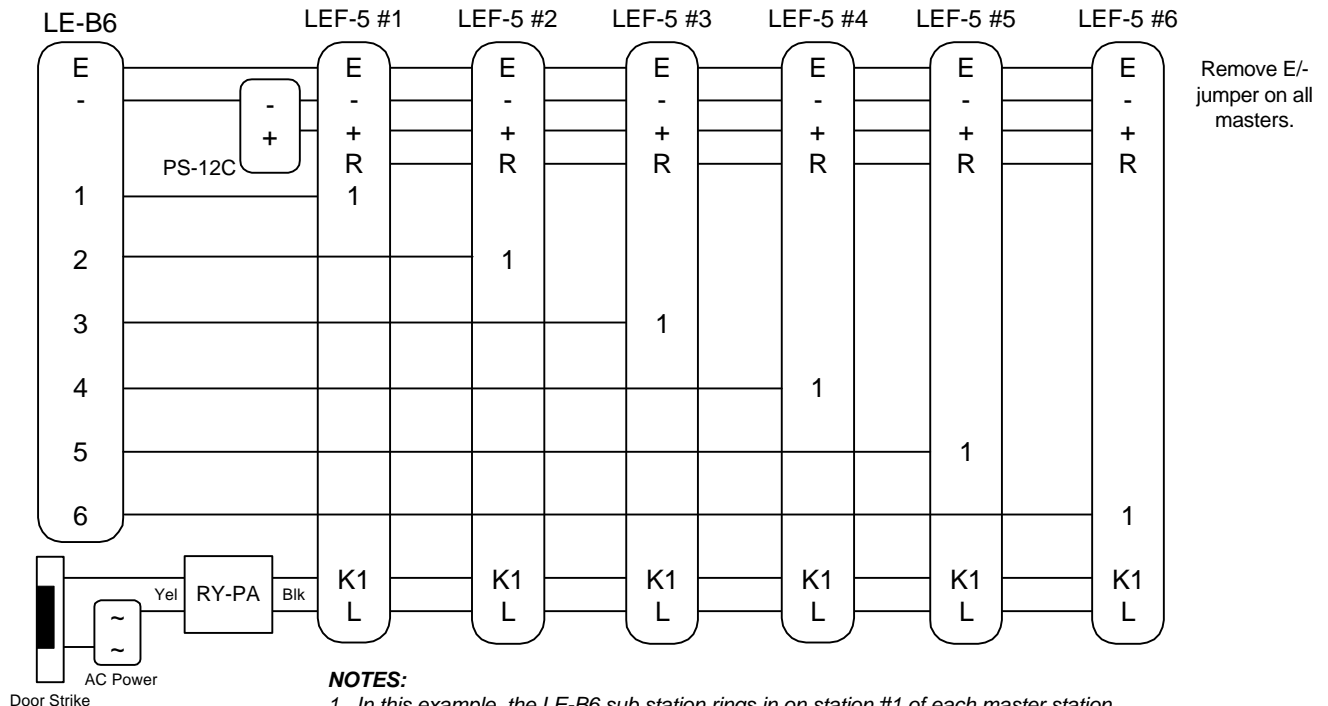
### LEM-1DL/C, LEF, LAF-C, or LDF Masters

### - INSTRUCTIONS -

The LE-B $n$  entry stations are used to selectively call from 2 up to 10 master stations (or groups of masters). For surface mount applications, include the VC-BBX surface mount box. The system has one communication path.

### WIRING DIAGRAM:

#### LE-B6 WITH LEF-5 MASTER STATIONS



#### NOTES:

- In this example, the LE-B6 sub station rings in on station #1 of each master station. It can be wired to any unused station number.
- Only wiring concerning the LE-B6 is shown here. For complete wiring information, please see the standard LEF instructions. If additional master stations are to be installed in each office/suite, wire them per the standard instructions.

#### Individual Components for System with LE-B2~LE-B10 Entry station:

LEM-1DL/C Single master station with door release and occupied lamp  
 PT-1210N 12V AC transformer, 1 per LEM-1DL/C  
 LEF- $n$  Master station, 3, 5, or 10-call sizes (No door release on LEF-3)  
 LAF- $n$ C/CA Console master station, 20 and 40 stn. sizes (no door release)  
 LDF- $n$ C/CA Console master with selective door release, 20 and 40 stn. sizes  
 PS-12C 12V DC power supply, 1 per system (LEF/LAF-C/CA/LDF-C/CA only)

#### LE-B2~10 Terminal Definitions:

E Common communication  
 - Negative, common call signal  
 1~10 Selective call/communication terminal for each call button

#### STATION MOUNTING:

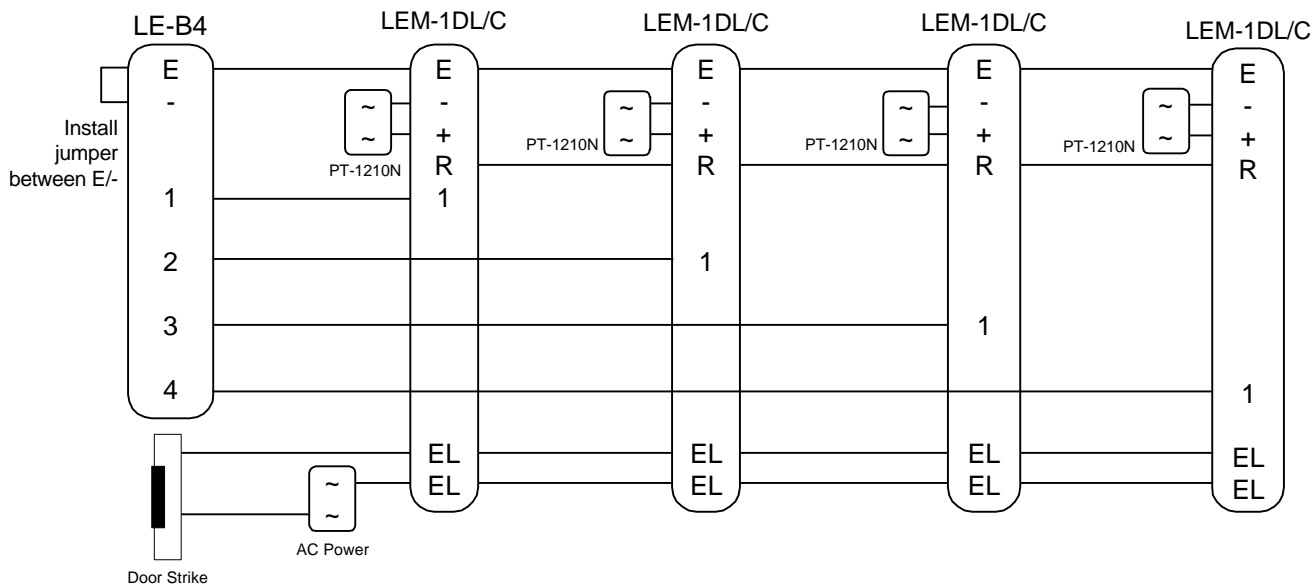
LE-B $n$ : Flush mount with backbox included.  
 Cutout dimensions: 9-1/16" H x 6-1/8" W x 2-11/16" D  
 Surface mount: Aiphone model VC-BBX  
 Dimensions: 10-3/8" H x 7-1/2" W x 2-1/16" D

#### Wires: (Used only for backlight illumination lamp)

Red +12VDC (connect to + of PS-12C)  
 Black (-) for lamp (connect to - of PS-12C)

## WIRING DIAGRAM:

### LE-B4 WITH LEM-1DL/C MASTER STATIONS



## OPERATION:

1. The entry station has multiple call buttons with an associated directory card. Press the button of the person you wish to call.
2. The master station(s) will ring an electronic call tone as long as the call button on the entrance station is being held.
3. To answer, select the station button with the lit LED. If the LED has gone out (stays on for approx. 20 seconds), press the selector button assigned to the entry station.
4. Person at the inside station presses TALK button to talk, and releases to listen. Person at the entry station speaks hands free.
5. When finished with the call, press the OFF button on the master station.
6. NOTE: If the "Occupied" lamp is on, the system is in use. Wait until LED goes out, or determine if a master station has been left on unintentionally.

## SPECIFICATIONS:

Power Source:	Provided from master station. Use 1 PS-12C per system (with LEF) or 1 PT-1210N for each LEM-1DL/C.
Impedance:	20 ohms
Communication:	Hands free at entry station/Push to Talk at master station
Calling:	LEF: Momentary call tone and LED, remaining lit for approx. 20 seconds LEM-1DL/C: Momentary call tone
Wiring:	LEF: 4 common (E, R, +, -) plus 1 individual per sub, looped; or 5 conductors homerun to each master. <b>Shielded cable is recommended.</b> Use Aiphone #822206 for homerun wiring or LE-B2, #822210 for LE-B4 & LE-B6, or #822215 for LE-B10.
Wiring Distance:	650' with 22AWG; 1,600' with 18AWG.
Dimensions (H x W x D):	Flush mounted: 10-1/4" x 7-5/16" x 2-5/8" (flush depth) Surface mounted: 10-3/8" x 7-1/2" x 2-1/16"

Aiphone Communication Systems  
1700 130th Ave. N.E.  
Bellevue, WA 98005  
(425) 455-0510  
FAX (425) 455-0071

**TOLL FREE TECHNICAL SUPPORT:**  
(800) 692-0200  
TOLL FREE FAX LINE:  
(800) 832-3765  
E-MAIL: tech-serv@aiphone.com