

## NEM-EM

NEM Lamp Memory Emergency Call System

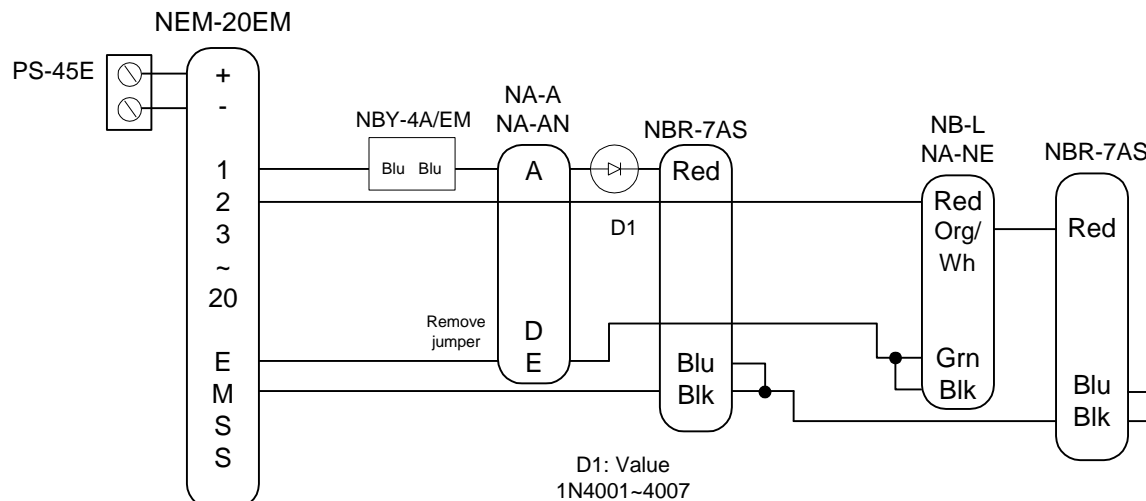
NEM-nEM Master Station

NBR-7AS Pull Cord and NBY-4AEM Corridor Lamp

### - INSTRUCTIONS -

The NEM-EM system provides communication from a central master station to multiple sub stations (up to 80). A call from a standard room station is annunciated with a steady LED light and an intermittent tone. An emergency call from a bathroom pull cord (NBR-7AS) is annunciated with a flashing LED light and buzzer tone. A standard call can be reset at the master station. An emergency call must be reset at the bathroom pull cord location.

#### WIRING DIAGRAM:



#### Individual Components for NEM-EM System:

- NA-A: Surface mount sub station
- NA-AN: Surface mount sub with privacy
- NA-NE: Flush mount sub, aluminum (backbox included)
- NB-L: Flush mount ceiling speaker sub station
- NBY-4A/EM: Corridor lamp for NEM-EM system
- PC-359B: Call holding circuit board (required if standard sub stations are not used)
- PS-24E: 24V DC Power Supply (for NEM-10EM, NEM-10AEM only)
- PS-45E: 13.8V DC, 8A Power Supply (for 20, 30, 40-station masters)

#### IMPORTANT NOTES:

1. When wiring NA-A or NA-AN to NBR-7AS, install diode (1N4001~4007) as shown above.
2. If no corridor lamp is included with NA-A/AN, leave jumper between D and E attached.
3. If corridor lamp is installed with NA-NE or NB-L, separate Green and Black wires, and connect Blue and Black wires together.

#### NEM-EM TERMINAL DEFINITIONS:

- + Positive (24V DC for NEM-10EM; 13.8V DC for NEM-20~40EM)
- Negative
- 1~40 Station number
- E Common communication
- M Common for Emergency Call Signal

## OPERATION:

1. When the sub station in a room places a call, the red channel LED indicator lights steady and the standard call tone rings at the master. The tone and light will remain activated until the call is answered. The LED indicator at the sub station will be lit from the time the call is placed until it is answered. If a corridor lamp is included, it will light up and remain on until the call is answered.
2. If the master station is talking to another sub station, a new call will light the LED, but the call tone will not be heard.
3. When an Emergency call from the NBR-7AS is placed, the master station's LED indicator will flash, a buzzer tone will be heard, and the corridor lamp outside the room (NBY-4A/EM) will flash. The call signal will continue until the master answers or the call is manually reset at the NBR-7AS.
4. When the call is answered, the LED on the master goes off. The person at the master uses the push-to-talk, release-to-listen button, or picks up the handset to speak (with NEM-A masters). The LED at the sub station will go off when the master answers.
5. When the conversation is completed, the OFF button to the left of the station selector button must be pressed to disengage the call.
6. If the master station answers an emergency call, communication will be the same as above, but when the OFF button is pressed, the call-in signal will return. An attendant must go to the room that placed the call and physically reset the call.

## SPECIFICATIONS:

Power Source:	NEM-10(A)EM: 24V DC at master. Use PS-24E. NEM-20~40(A)EM: 13.8V DC at master. Use PS-45E.
Communication Output:	500mW at 20 ohms
Communication:	Push-to-talk, release-to-listen or VOX handset at master. Hands free at sub station.
Calling:	Master to sub: By voice only after pretone. Sub to master: Call tone and LED, remaining activated until call is answered. Buzzer and flashing LED/corridor lamp for emergency call.
Wiring:	2 common plus 1 individual per sub, looped; or 3 conductors homerun to each sub. Shielded cable is recommended. Use Aiphone #822203 for homerun wiring, #822206 for 4 stations on each run, or #822210 for up to 8 stations on each run.
Wiring Distance:	420' with 22AWG; 1,000' with 18AWG.