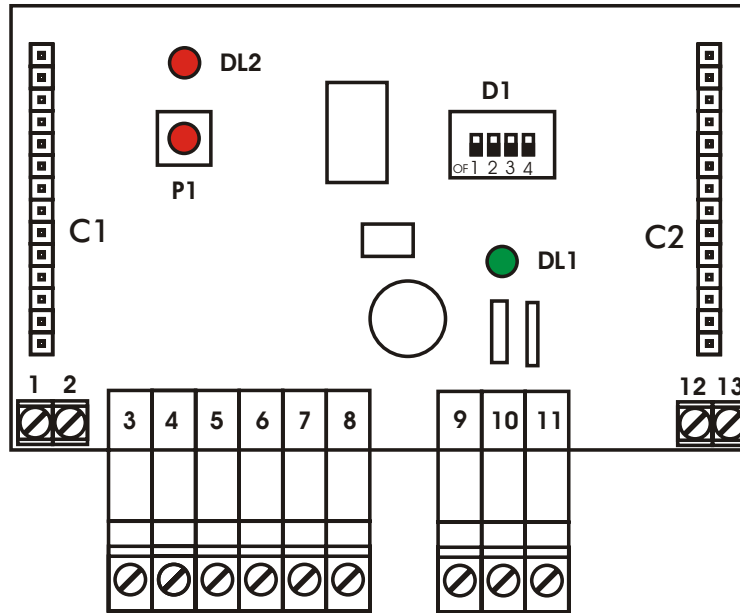


RCS UB - MULTI FREQUENCY WIEGAND RECEIVER

U.S. PATENT
PENDING

MANUAL
INSTALLATION



The RCS UB Receiver is a configurable Receiver Processor that can work with 4 different frequencies : 295 MHz, 318 MHz, 418 MHz, 433,92 MHz.

These frequencies are selected by simply plugging in the desired radio frequency cards to the Receiver Processor Board. The output of the Processor can be through a 3 wire RF output and or the Wiegand output terminal. The Wiegand output can be selected to 26 or 30 bit through the dip switch setting on the Processor Board.

When shipped from RCS the radio Frequency Card Ports have jumper strips in them. These only should be replaced by Radio Cards.

Please follow wiring and dip switch settings for desired configuration.

The UB Receiver can be powered through the Wiegand port or RF port

PIN-OUT	
PIN N°	DESCRIPTION
1	GND Aerial 433 / 418 MHz
2	Input Aerial 433 / 418 MHz
3	not used
4	Wiegand DATA1 output
5	Wiegand DATA0 output
6	Power supply 12 - 24 Vac/dc
7	GND input
8	not used
9	Input Power supply RF Bus
10	Output Data RF Bus
11	GND RF Bus E
12	GND Aerial 295 / 318 / 418 MHz
13	Input Aerial 295 / 318 / 418 MHz

LEGEND	
DL1	Power supply green led
DL2	Programming red Led
P1	Programming push button
C1	Receiver card connector (433 / 418 MHz)
C2	Receiver card connector (295 / 318 / 418 MHz)
D1	Configuration dip-switch
1-13	Connection terminal boards

NOTE : The 418 MHz receiving card can be inserted either on the right connector C1 or the left connector C2

Dip-switches settings

	ON	OFF
DIP1	Bits "26", "27", "28", "29" set at "1"	Bits "26", "27", "28", "29" set at "0"
DIP2	30 bit output	26 bit output
DIP3	Internal 4,7 KOhm pull-up resistor connected	Internal pull-up disconnected
DIP4	Not used	Not used

Memory settings

TX memo Push the P1 button until the DL2 led comes on; release it and within 2 seconds press desired transmitter key to store in receiver memory.

TX delete TX Delete : Push the P1 button until the DL2 led comes on; release and push it again until DL2 blinks 3 times.

Facility code check management

The receiver is shipped with the facility code check enabled.

With the procedure below it is possible to disable this check and keep only the check on the key code.

- 1) Keep the P1 button pressed down until the DL2 led turns on and then release it.
- 2) Within 1 sec. press P1 again .

At this point the DL2 led flashes quickly for 2 seconds and the receiver can then accept any facility code.

Initial state recover

Once the check has been disabled, it is possible to recover the initial state by repeating the above phases 1 and 2

At the end of phase 2 the DL2 led will turn on continuously for 2 seconds.

NOTE : If a power failure occurs after phase2 the new configuration is maintained.

Check display

It is possible to display the facility code management by simply keeping P1 pressed down until DL1 turns on.

If DL1 turns on continuously for 2 seconds, the Facility code check is enabled;

If DL1 flashes for 2 seconds, the Facility code check is disabled.

REMOTE CONTROL SOLUTIONS
College Park Commerce Center
2042 N. Rio Grande Ave. Suite A
Orlando - FL 32804
U.S.A.
Office: (407)-426-8687
Fax: (407)-428-9309
e-mail: bettertx@msn.com