

**DESIGN GUIDE**

**SPECTRUM**  
**TELEPHONE ENTRY SYSTEM**  
**WITH THE -101 BOARD**

**Sentexsystems**



# INTRODUCTION

The purpose of this guide is to assist you in meeting any specification requirements you may encounter in installing a Spectrum system with the -101 Board. The information enclosed in this manual is to be used for reference purposes only and is not intended to be an installation or programming manual.

## TABLE OF CONTENTS

<b>INTRODUCTION .....</b>	<b>1</b>
<b>CABINET DIMENSIONS.....</b>	<b>2</b>
<b>WIRE CHART .....</b>	<b>2</b>
<b>DIMENSIONAL DRAWING OF THE SPECTRUM SURFACE MOUNT SYSTEM.....</b>	<b>3</b>
<b>DIMENSIONAL DRAWING OF THE SPECTRUM FLUSH MOUNT SYSTEM.....</b>	<b>4</b>
<b>DIMENSIONAL DRAWING OF THE SPECTRUM-DI SURFACE MOUNT SYSTEM.....</b>	<b>5</b>
<b>DIMENSIONAL DRAWING OF THE SPECTRUM-DI FLUSH MOUNT SYSTEM .....</b>	<b>6</b>
<b>ILLUSTRATION OF THE -101 MAIN PROCESSOR BOARD .....</b>	<b>7</b>

**IMPORTANT:** The Sentex Systems, Inc. warranty on this system is conditioned upon Sentex Systems, Inc. being paid in full for this equipment. The warranty will not be honored until such payment is received by Sentex Systems, Inc.

Copyright © 2000  
All Rights Reserved

This document is protected by copyright and may not be copied or adapted without the prior written consent of Sentex Systems, Inc. This document contains information proprietary to Sentex and such information may not be distributed without the prior written consent of Sentex. The software and firmware included in the Sentex Spectrum system as they relate to this documentation are also protected by copyright and contain information proprietary to Sentex.

Sentex Systems  
Chatsworth, CA  
Visit us at [www.sentexsystems.com](http://www.sentexsystems.com)

# CABINET DIMENSIONS

<u>TYPE OF SYSTEM</u>		<u>HEIGHT</u>	<u>WIDTH</u>	<u>DEPTH</u>
Spectrum System (top)	Surface Mount	12.5"	8.5"	4.25"(top)
	Flush Mount Back Box	12.75"	8.5"	3.0"
	Flush Mount Bezel	14.0"	9.75"	
Spectrum-DI System	Surface Mount	12.5"	16.5"	4.25"(top)
	Flush Mount Back Box	12.75"	16.75"	3.0"
	Flush Mount Bezel	14.0"	18.0"	
	Directory Module	12.5"	9.5"	3.75"

## WIRE CHART

**PLEASE NOTE:** If the wires you are pulling for this installation are going to be run through an indoor, weather-proof location, it is acceptable to use unshielded cable. If the wires are going to be run through an outdoor location, we recommend that you use shielded cable. Recommendations for both types of cable are provided where needed.

### Cabling to the Main Processor Board

### Type of Wire

### Recommendations

From the power transformer at the 120 VAC outlet

2 conductor cable

See chart below:

<b>DC POWER WIRE SIZE</b>	<b>DISTANCE</b>	<b>AC POWER WIRE SIZE</b>
18 gau.	30' and under	18 gau.
18 gau.	30'-75'	14 gau.
14 gau.	75'-150'	12 gau.
12 gau.	150'-250'	10 gau.
10 gau.	250'-500'	-----

From the telephone company jack

2 conductor,  
18 to 24 awg cable

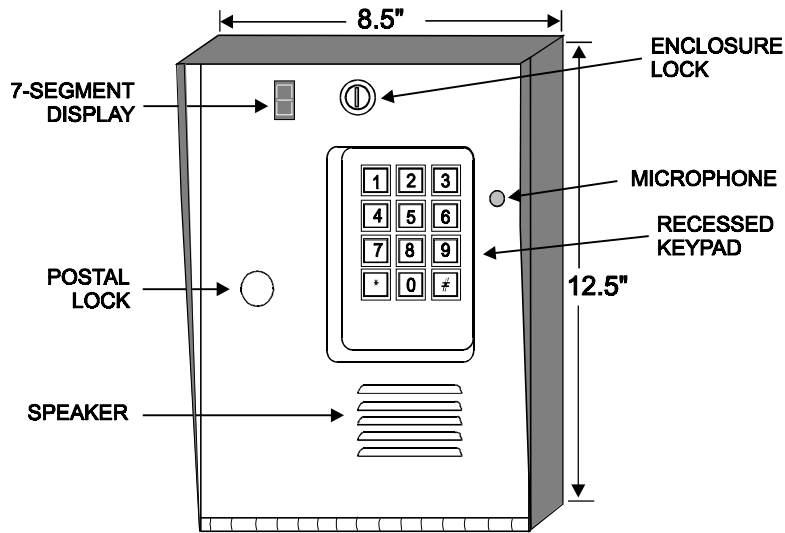
Shielded-Belden #9501  
Unshielded-Belden #8740

From the door strike or the door strike power supply

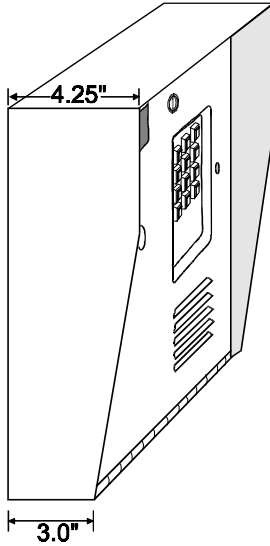
2 conductor cable

See specifications for the device you are installing.

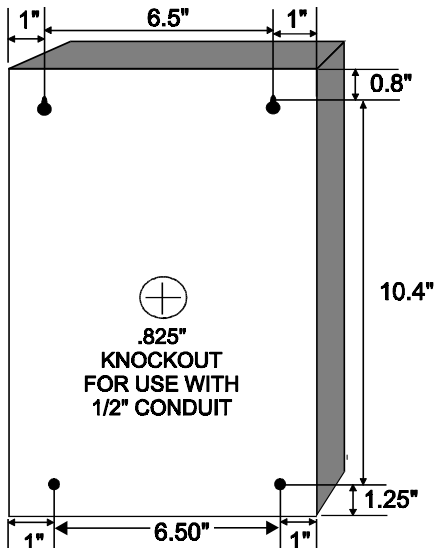
## DIMENSIONAL DRAWING OF THE SPECTRUM SURFACE MOUNT SYSTEM



FRONT VIEW



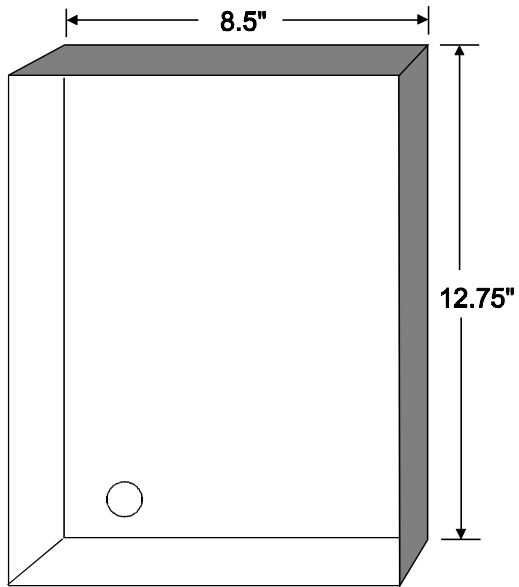
SIDE VIEW



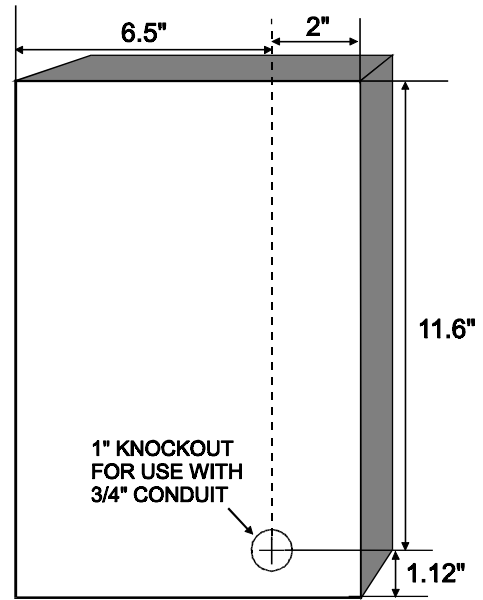
REAR VIEW

This line drawing is intended for dimensional reference purposes only and is not intended to be an actual drawing of the Spectrum system itself.

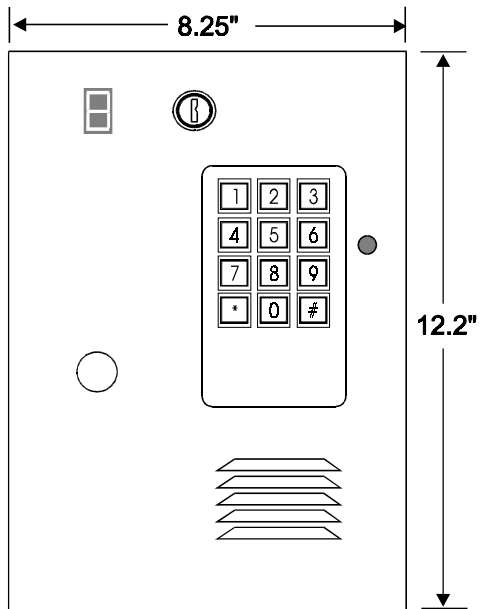
# DIMENSIONAL DRAWING OF THE SPECTRUM FLUSH MOUNT SYSTEM



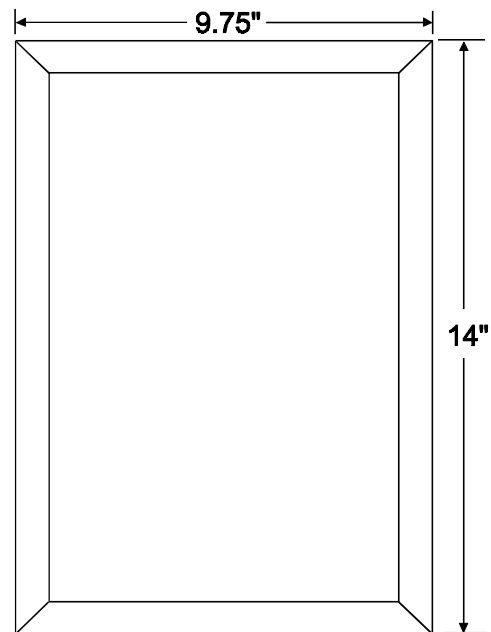
FLUSH MOUNT BOX  
(FRONT VIEW)



FLUSH MOUNT BOX  
(REAR VIEW)



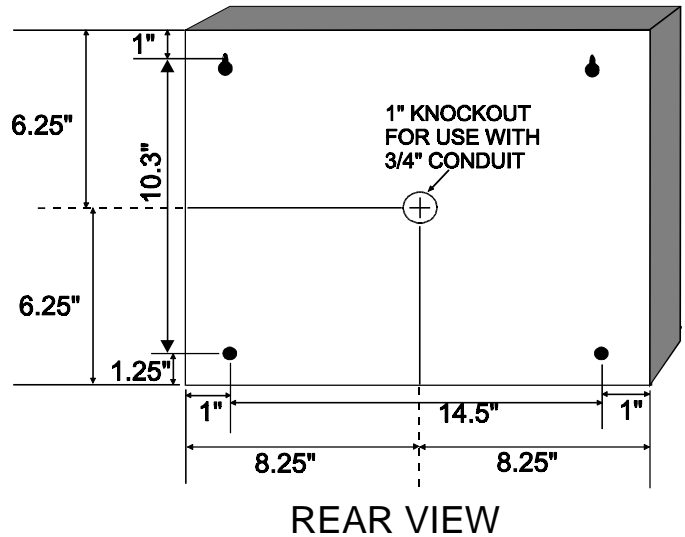
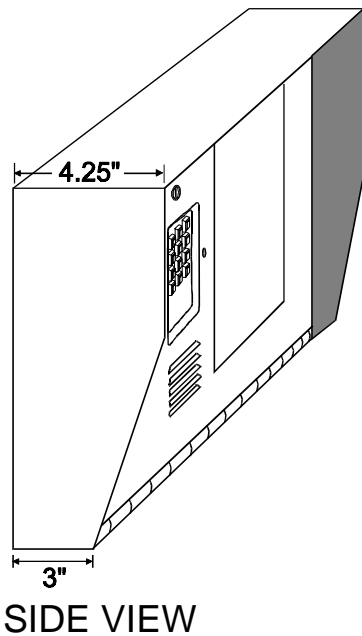
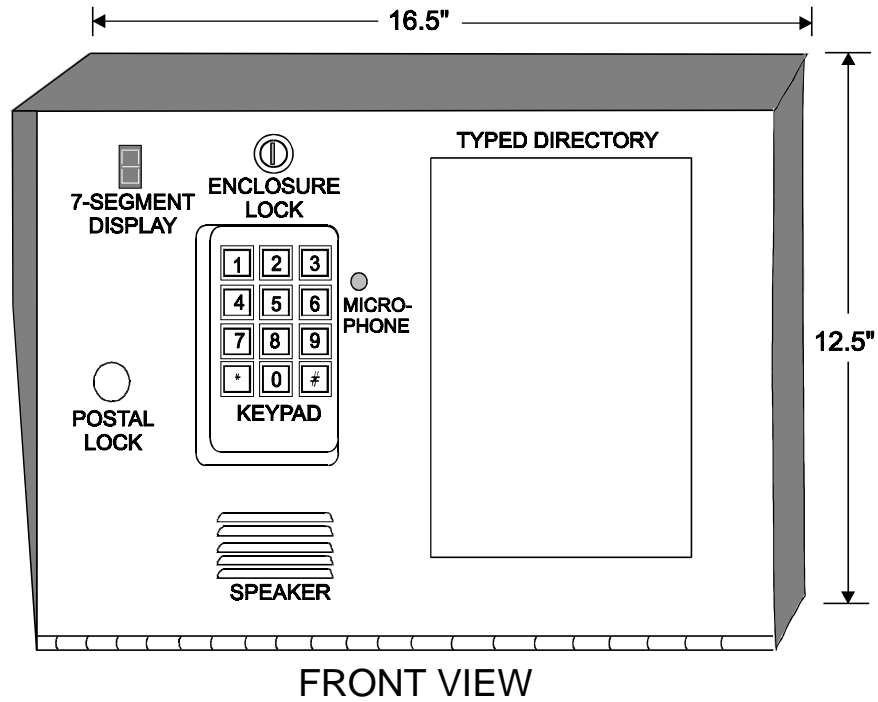
FRONT PANEL



FRONT PANEL BEZEL

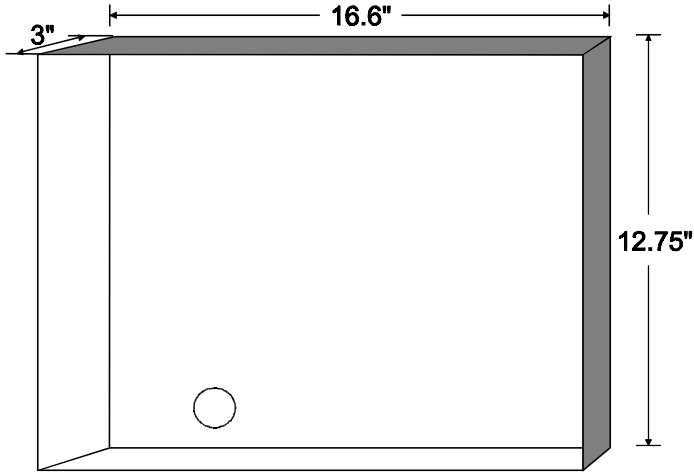
This line drawing is intended for dimensional reference purposes only and is not intended to be an actual drawing of the Spectrum system itself.

## DIMENSIONAL DRAWING OF THE SPECTRUM-DI SURFACE MOUNT SYSTEM

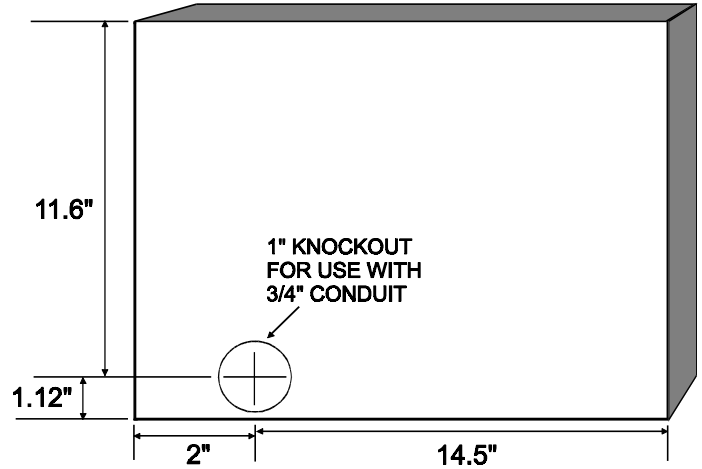


This line drawing is intended for dimensional reference purposes only and is not intended to be an actual drawing of the Spectrum-DI system itself.

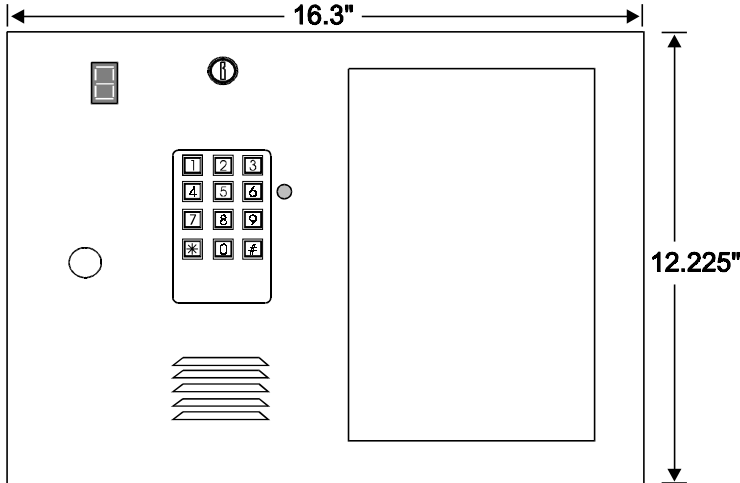
**DIMENSIONAL DRAWING**  
**OF THE SPECTRUM-DI FLUSH MOUNT SYSTEM**



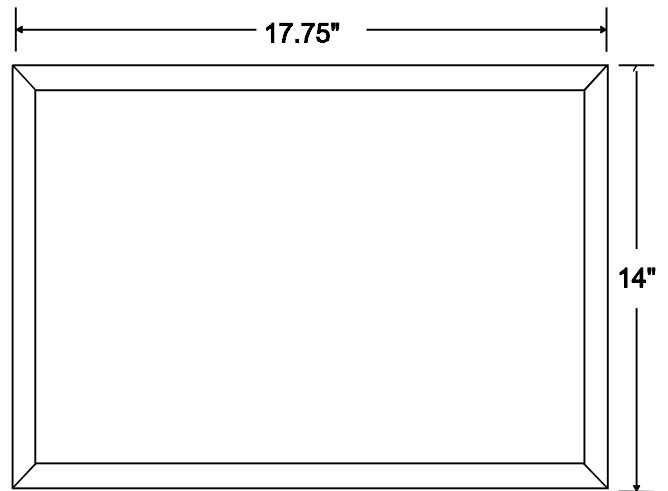
FRONT PANEL BACK BOX  
(FRONT VIEW)



FRONT PANEL BACK BOX  
(REAR VIEW)



FRONT PANEL



FRONT PANEL BEZEL

This line drawing is intended for dimensional reference purposes only and is not intended to be an actual drawing of the Spectrum-DI system itself.

# ILLUSTRATION OF THE -101 MAIN PROCESSOR BOARD

