

# RS-485 Lighted KEYPAD

DoorKing Part Numbers

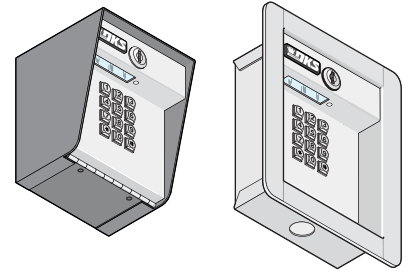
**1513-081**  
Surface Mount

**1513-082**  
Flush Mount

The RS-485 Keypad is designed to work with a DoorKing Access Plus system.

## Setting the Keypad Address

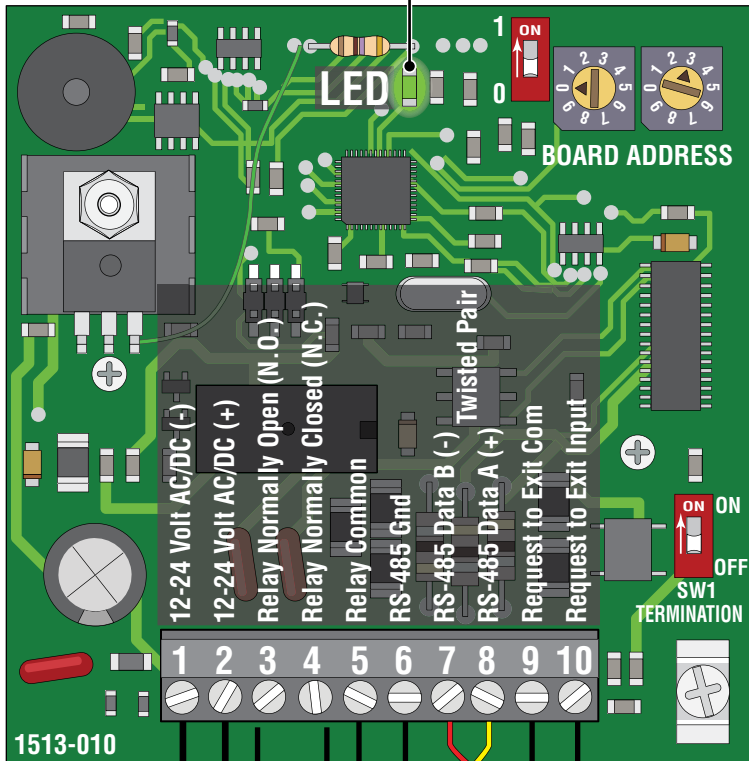
The **ONLY** valid device addresses that can be used with the Access Plus system are **003** through **008**. Each device (keypad, card reader, RF receiver) must have a **unique address** and the **addresses must start with 003** and continue in sequence. The type of device does not matter, only the address matters.



## Board Description

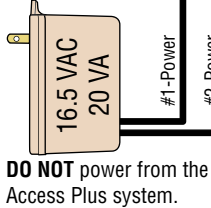
**The LED on the circuit board is for troubleshooting:**

- LED continuously ON:** Indicates a good connection to the controller.
- LED Flashing in inconsistent patterns or is OFF:** this could indicate a problem with the RS-485 communication (duplicate addresses, loose wire, no proper grounding etc. or no power).

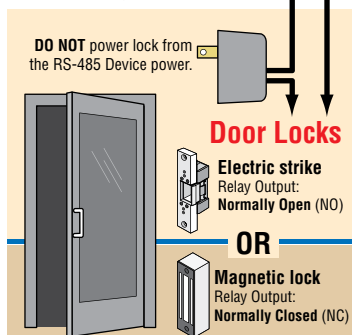


1513-010

### Supplied Transformer



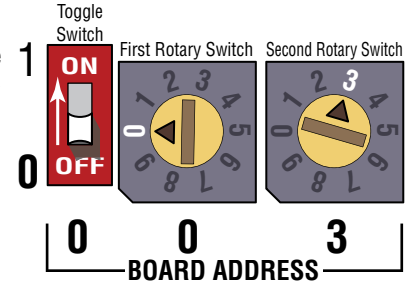
**DO NOT** power from the Access Plus system.



1513 065-A-8-16

## Setting Board Address

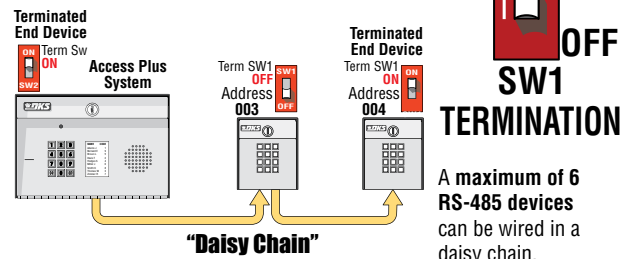
The toggle switch and two rotary switches are used to set the address on the keypad. Since the address on the device must be set between **003** and **008**, the toggle switch is set to the **OFF** position (0) and the first rotary switch is set to 0. You only need to set the second rotary switch for the address of the device (003 – 008). In the example above, the keypad address is set for 003.



Each device (card reader, keypad and/or receiver) must have a **UNIQUE** address and continue in sequence. **DO NOT Skip an address when using multiple RS-485 devices.** The order in which multiple RS-485 devices are connected to the Access Plus controller does not matter. What is important is that the addresses must be in sequence starting with 003.

## SW1 Termination Switch

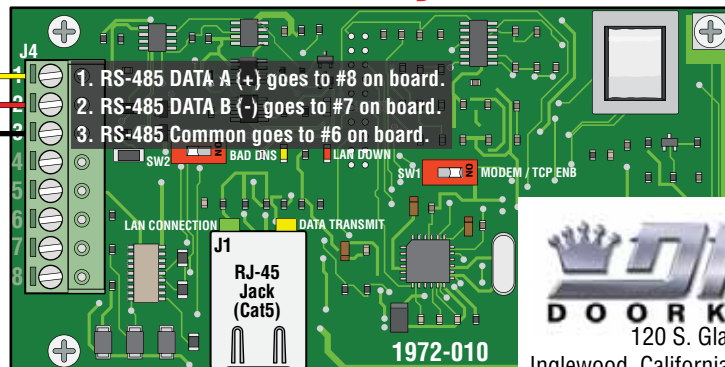
The SW1 toggle switch is **ONLY** turned **ON** at the end of the daisy chain. Leave this switch **OFF** when device is **NOT** at the end of the daisy chain (4000 ft MAX distance).



## Request to Exit Button

Push button switch will activate RS-485 relay for programmed strike time.

## Access Plus System Interface Board

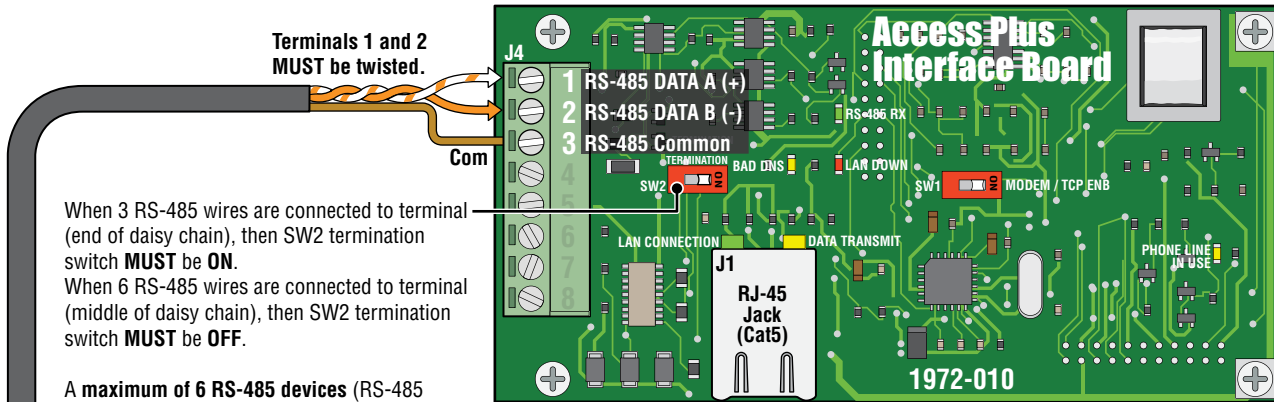


**DOOR KING**  
120 S. Glasgow Avenue  
Inglewood, California 90301 U.S.A.

# RS-485 Daisy Chain Wiring

DoorKing Part Numbers  
**1513-081** Surface Mount  
**1513-082** Flush Mount

## End of Daisy Chain Terminated Device

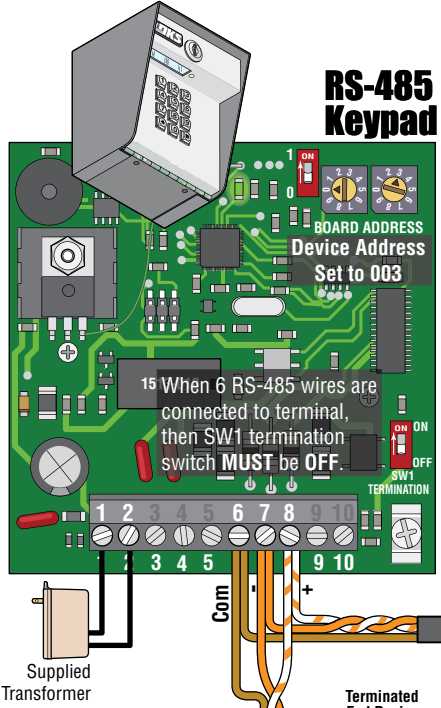
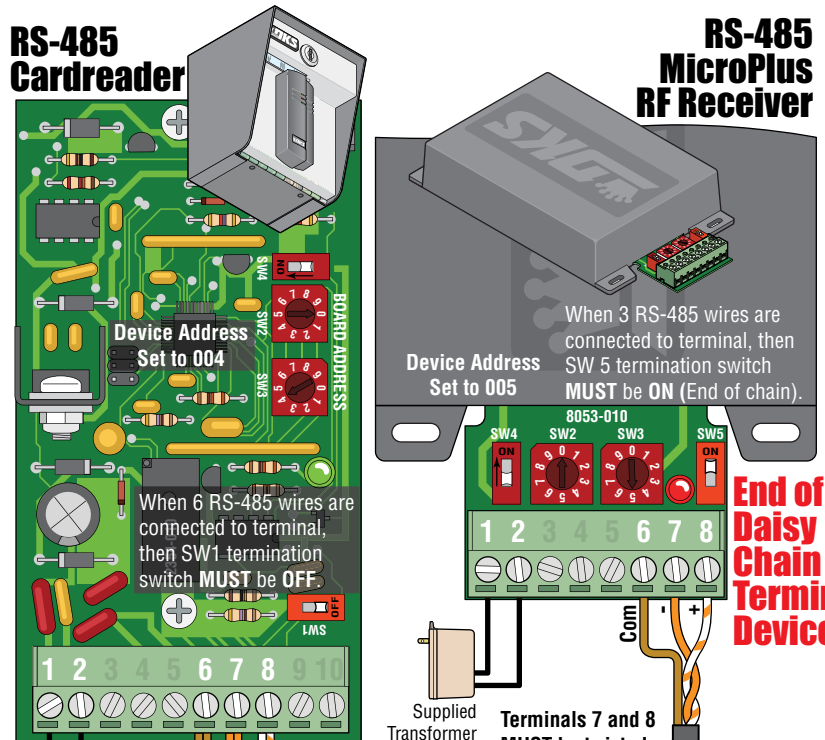


When 3 RS-485 wires are connected to terminal (end of daisy chain), then SW2 termination switch **MUST** be **ON**.  
 When 6 RS-485 wires are connected to terminal (middle of daisy chain), then SW2 termination switch **MUST** be **OFF**.

A **maximum of 6 RS-485 devices** (RS-485 Keypad, Cardreader or MicroPlus RF Receiver) can be wired in a daisy chain, in any order to the Access Plus system.

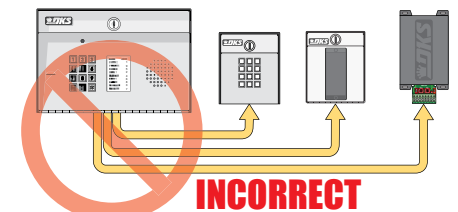
**DO NOT** use the Access Plus system power to power the RS-485 devices. RS-485 device must use a separate power source.

**Maximum distance from end to end is 4000 feet in a Daisy Chain.**



Supplied Transformer  
 Terminals 7 and 8 **MUST** be twisted.

Supplied Transformer  
 Terminals 7 and 8 **MUST** be twisted.



If wiring will be outdoors or underground, use Cat5e Gel Filled (flooded) UV Resistant Direct Burial Cable.

