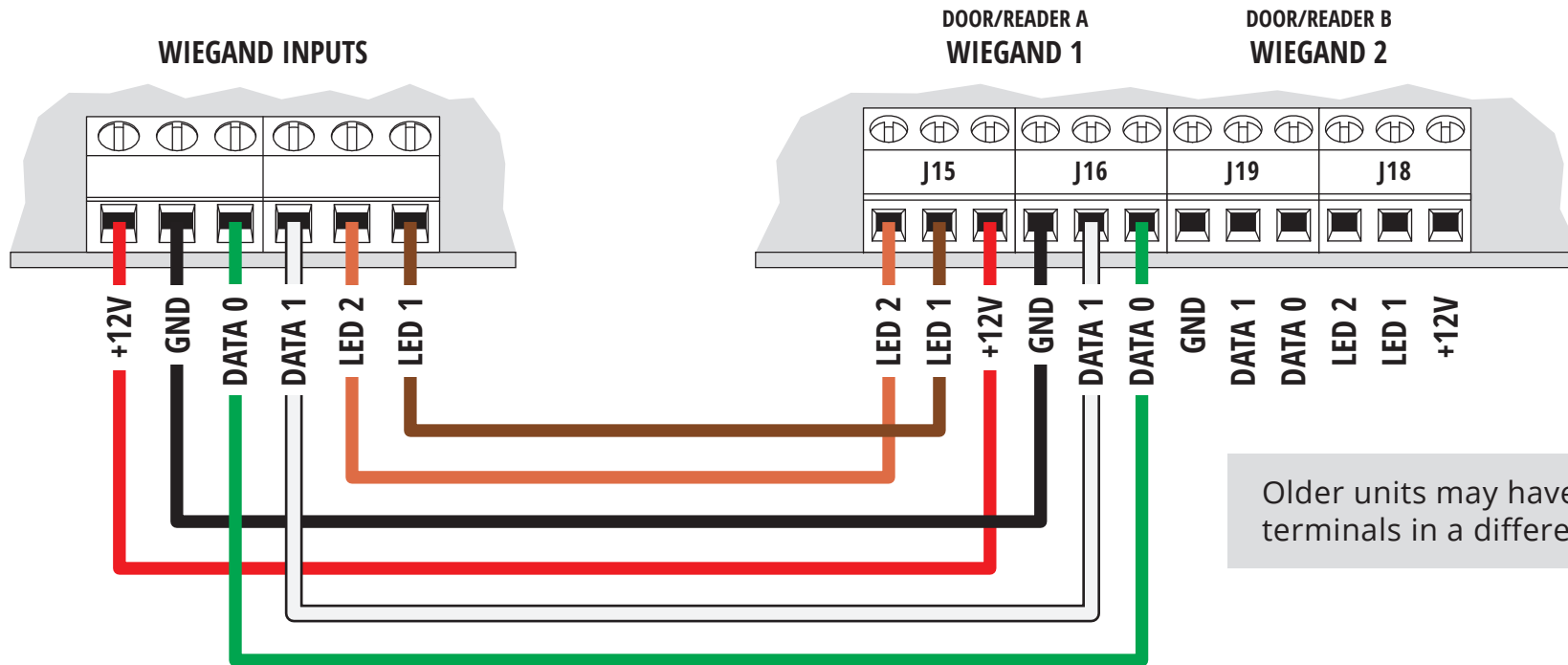


### Wiegand Device

### Ascent Wiegand Device Terminals



Older units may have Wiegand 2 terminals in a different order.

**⚠ CAUTION!**

Disconnect power to Ascent unit before connecting Wiegand devices.

**Failure to disconnect power can damage unit!**

**⚠ IMPORTANT!**

Wiegand inputs are **NOT AVAILABLE** on all Ascent models.

Please ensure your model is Wiegand compatible before proceeding.

**NEED HELP**

Call (844) 259-8265

Email [support@summitcontrol.com](mailto:support@summitcontrol.com)

We are available **Mon-Fri / 8am-5pm Central**

