

-195 / -197 / -198 HEATER KITS

DoorKing Part Numbers:

1601-195 Kit
115 VAC Model
6.6 Amp

1601-197 Kit
208/230 VAC Models
3.3 Amp

1601-198 Kit
460 VAC Models
3.3 Amp

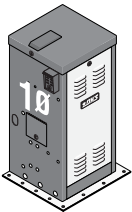
These kits are designed for the **9200 • 9500 • 6300** 208 & 230 VAC Input power or 460 VAC Input power
• 6550 208 & 230 VAC Input power or 460 VAC Input power • **6555** 230 VAC Input power
• 9000 208 & 230 VAC Input power or 460 VAC Input power • **9024** AC powered 230 VAC ONLY
• 9150 208 & 230 VAC Input power or 460 VAC Input power • **1601/1602/1603** 208 & 230 VAC Input power or 460 VAC Input power model gate operators. For cold weather climates where temperatures routinely drop below 10°F (-12°C).
 A built-in thermostat will automatically control the temperature inside operator housing.
 Find your **“SPECIFIC” operator** on the next 15 pages.

9200 Specifications Tables

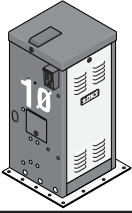
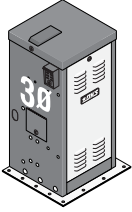
High Voltage AC Input Power for the 9200 Gate Operator with a Heater

The 9200 draws significant power and should have a **“Dedicated”** circuit breaker at the power source.
 If power wiring is greater than the maximum distance shown, it is recommended that a service feeder be installed. When large gauge wire is used, a separate junction box must be installed for the operator connection. Wire run calculations are based on NEC 310.15(B)(16) with a maximum voltage drop of 3%. These wire runs are a general guideline but it is highly suggested that individual calculations are made for your specific installation as these distances may vary. **Never** run low voltage rated wire insulation in the same conduit as high voltage rated wire insulation.

High voltage AC input wire size and distance limitations for a 9210 - 115 VAC with a heater.

Phase	Model	Horsepower	Volts	Operator and Heater Amps	Wire Size / Max Distance in Feet				Heater Kit P/N
					12 AWG	10 AWG	8 AWG	6 AWG	
	9210	1	115 VAC	16.3	50	80	130	210	1601-195
Note: Operator should have a “Dedicated 20 Amp” minimum circuit breaker at the power source.									

High voltage AC input wire size and distance limitations for a 9200 - 208/230 VAC OR 460 VAC with a heater.

Phase	Model	Motor Horsepower	Volts	Operator and Heater Amps	Wire Size / Max Distance in Feet				Heater Kit P/N
					12 AWG	10 AWG	8 AWG	6 AWG	
	9210	1	208 VAC	8.4	180	290	470	750	1601-197
			230 VAC	8.3	210	330	530	840	1601-197
	9220	2	208 VAC	15.0	100	160	260	420	1601-197
			230 VAC	14.8	110	180	290	470	1601-197
	9210	1	208 VAC	6.7	270	430	680	1090	1601-197
			230 VAC	6.6	300	480	770	1220	1601-197
			460 VAC	5	800	1280	2040	3240	1601-198
	9220	2	208 VAC	10.0	180	290	460	730	1601-197
			230 VAC	9.6	210	330	530	840	1601-197
			460 VAC	6.6	610	970	1540	2450	1601-198
	9230/9240	3	208 VAC	13.2	130	210	340	550	1601-197
			230 VAC	13.0	150	240	390	620	1601-197
			460 VAC	8.0	300	800	1100	2000	1601-198
	9235	3	208 VAC	16.2	110	170	280	450	1601-197
			230 VAC	16.0	120	200	310	500	1601-197
			460 VAC	8.0	300	800	1100	2000	1601-198

Installation on next page.

Copyright 2022 DoorKing®, Inc. All rights reserved.

9200 Installation of Heater

DoorKing Part Numbers

1601-195 Kit
115 VAC Model
6.6 Amp

1601-197 Kit
208/230 VAC Models
3.3 Amp

1601-198 Kit
460 VAC Models
3.3 Amp

Shut off the AC input power to the operator from the circuit breaker.

Wire run tables on previous page.

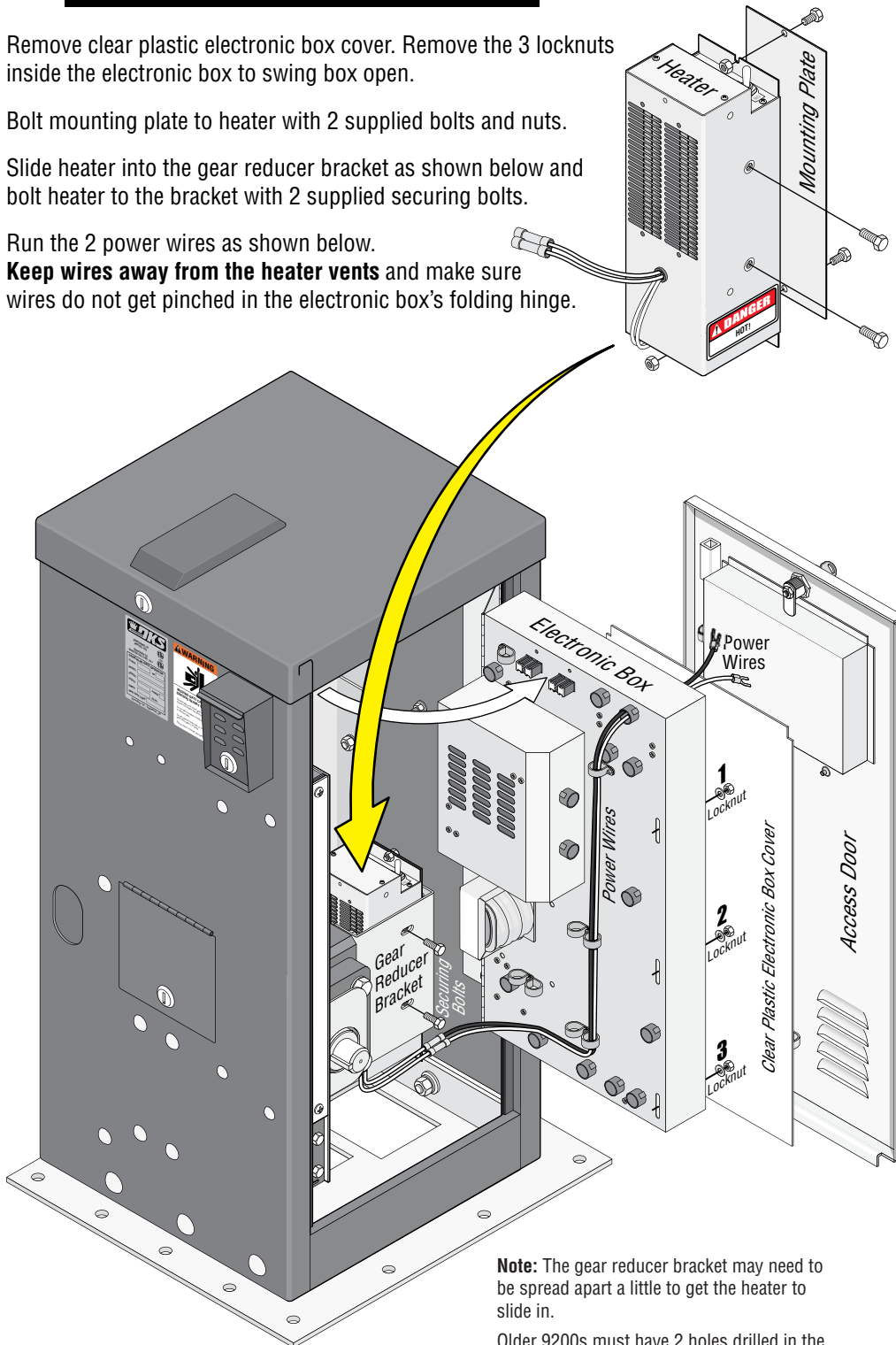
Remove clear plastic electronic box cover. Remove the 3 locknuts inside the electronic box to swing box open.

Bolt mounting plate to heater with 2 supplied bolts and nuts.

Slide heater into the gear reducer bracket as shown below and bolt heater to the bracket with 2 supplied securing bolts.

Run the 2 power wires as shown below.

Keep wires away from the heater vents and make sure wires do not get pinched in the electronic box's folding hinge.

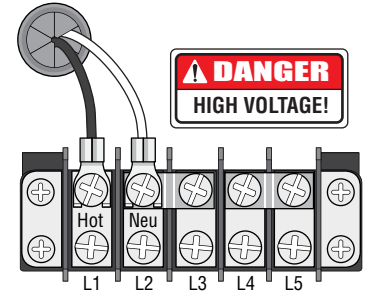


Note: The gear reducer bracket may need to be spread apart a little to get the heater to slide in.

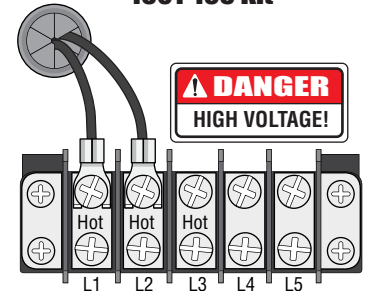
Older 9200s must have 2 holes drilled in the gear reducer bracket for the securing bolts.

Power Connection

Connect the 2 heater power wires according to operator AC power type.



115 VAC
1601-195 Kit



208/230/460 VAC
1-Phase and 3-Phase
1601-197 Kit (208/230 VAC)
1601-198 Kit (460 VAC)

Heater Switch



OFF - Turns the heater off.

ON - Normal setting. Automatically turns the heater **ON** when the temperature drops below 40°F (4°C) inside the operator, and turns the heater **OFF** when the temperature rises above 55°F (13°C) inside the operator.



120 S. Glasgow Avenue
Inglewood, California 90301 U.S.A.

9500 Specifications Table

DoorKing Part Numbers:

1601-197 Kit
208/230 VAC Models
3.3 Amp

1601-198 Kit
460 VAC Models
3.3 Amp

High Voltage AC Input Power for the 9500 Gate Operator with a Heater

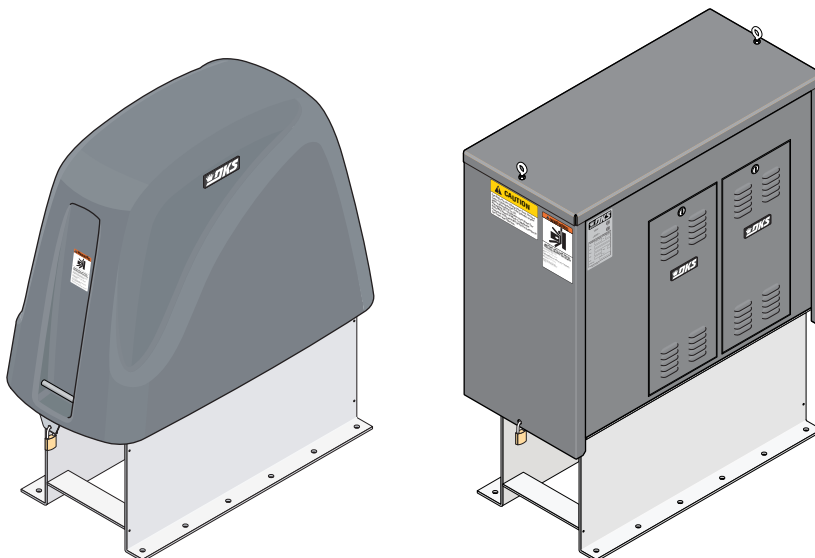
The 9500 draws significant power and should have a “Dedicated” circuit breaker at the power source.

If power wiring is greater than the maximum distance shown, it is recommended that a service feeder be installed. When large gauge wire is used, a separate junction box must be installed for the operator connection. Wire run calculations are based on NEC 310.15(B)(16) with a maximum voltage drop of 3%. These wire runs are a general guideline but it is highly suggested that individual calculations are made for your specific installation as these distances may vary.

Never run low voltage rated wire insulation in the same conduit as high voltage rated wire insulation.

High voltage AC input wire size and distance limitations for a 9500 - 208/230 VAC OR 460 VAC with a heater.

Model	Motor Horsepower	Phase	Volts	Operator and Heater Amps	Wire Size / Max Distance in Feet				Heater Kit P/N
					12 AWG	10 AWG	8 AWG	6 AWG	
9550/9555	5	3	208 VAC	16.2	110	175	280	450	1601-197
			230 VAC	16.1	125	195	315	500	
			460 VAC	9.7	410	660	1050	1650	
		1	208 VAC	24.4	n/a	100	160	260	1601-197
			230 VAC	22.4	n/a	120	190	310	
			460 VAC	12.5	270	430	700	1100	
9570/9575	7	3	208 VAC	25.0	n/a	110	180	290	1601-197
			230 VAC	23.8	n/a	130	210	340	
			460 VAC	13.5	290	470	750	1200	
		1	208 VAC	35.0	n/a	n/a	110	180	1601-197
			230 VAC	32.0	n/a	n/a	130	210	
			460 VAC	17.0	200	320	510	820	
9590/9595	10	3	208 VAC	29.3	n/a	90	150	250	1601-197
			230 VAC	26.3	n/a	120	190	300	
			460 VAC	15.3	260	410	660	1060	
		1	208 VAC	45.5	n/a	n/a	n/a	130	1601-197
			230 VAC	41.4	n/a	n/a	n/a	160	
			460 VAC	21.6	n/a	250	400	640	



Installation on next page.

DKS
DOOR KING®
120 S. Glasgow Avenue
Inglewood, California 90301 U.S.A.

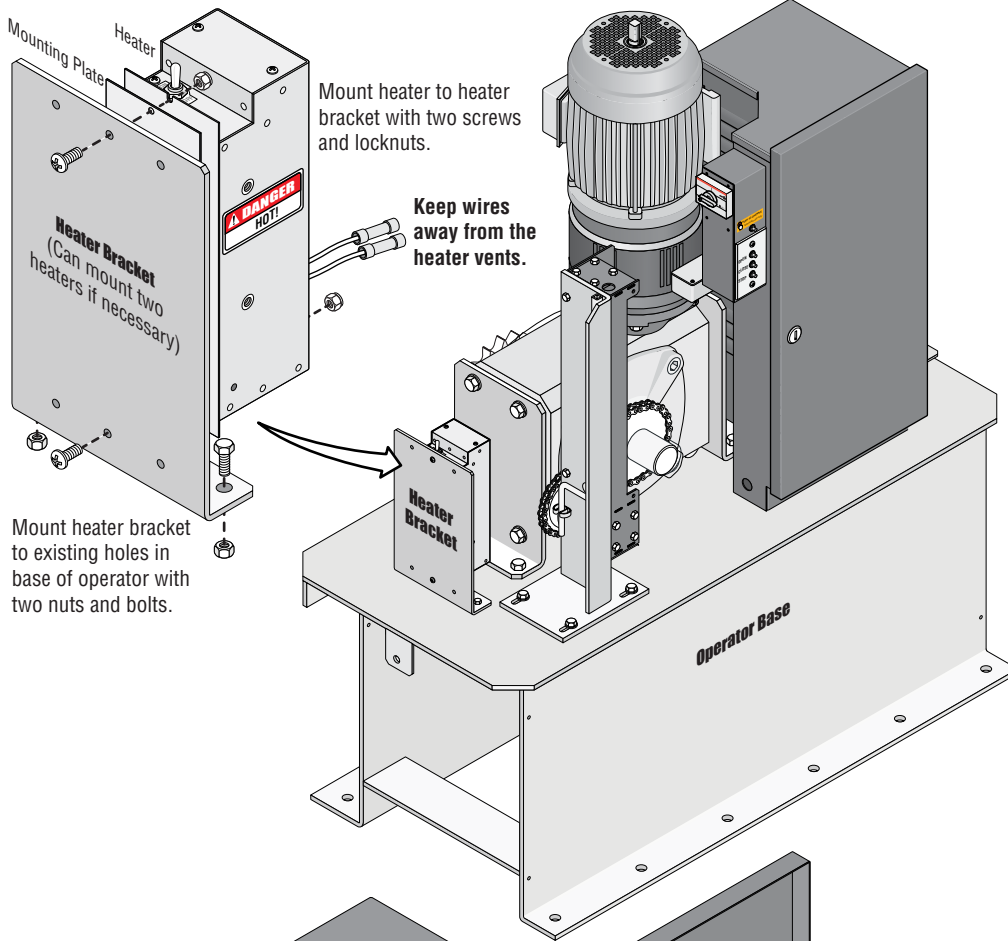
9500 Installation of Heater

Wire run tables on previous page.

DoorKing Part Numbers:

1601-197 Kit
208/230 VAC Models
3.3 Amp

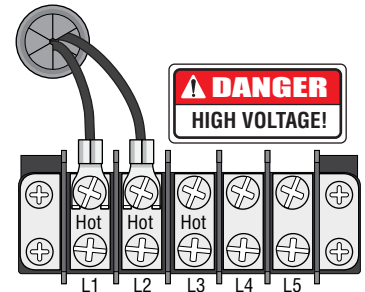
1601-198 Kit
460 VAC Models
3.3 Amp



Shut off the AC input power to the operator from the circuit breaker.

Power Connection

Connect the 2 heater power wires according to operator AC power type.



208/230/460 VAC

1-Phase and 3-Phase

1601-197 Kit (208/230 VAC)

1601-198 Kit (460 VAC)

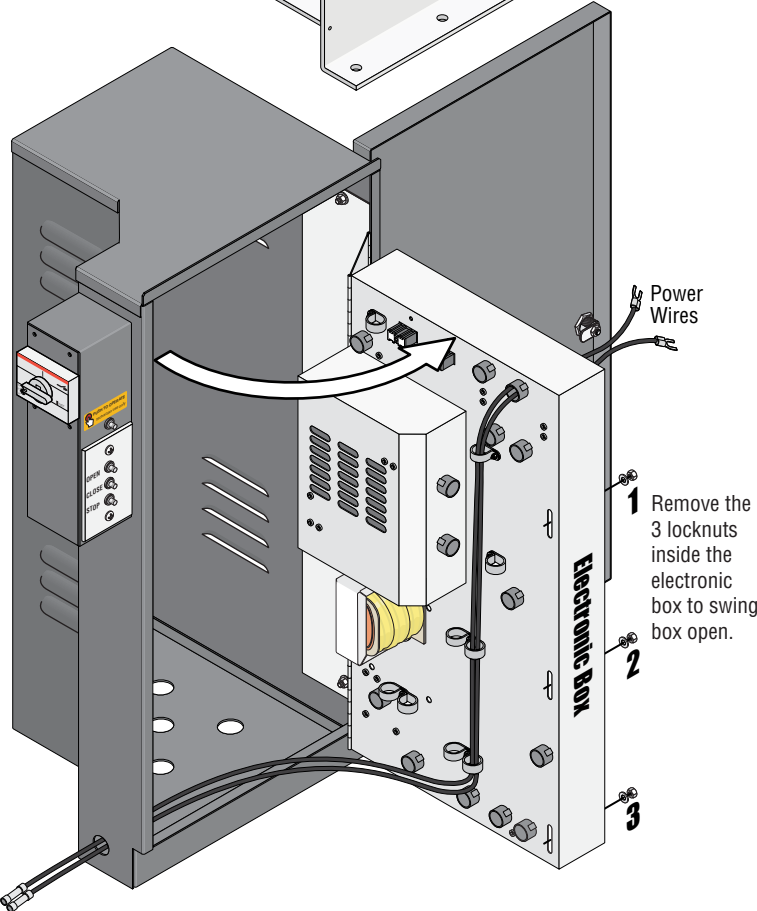
Heater Switch



OFF - Turns the heater off.

ON - Normal setting. Automatically turns the heater **ON** when the temperature drops below 40°F (4°C) inside the operator, and turns the heater **OFF** when the temperature rises above 55°F (13°C) inside the operator.

Run the 2 power wires as shown. Make sure wires do not get pinched in the electronic box's folding hinge.




6300 - 208/230 VAC Input Power ONLY Install

DoorKing Part Number:

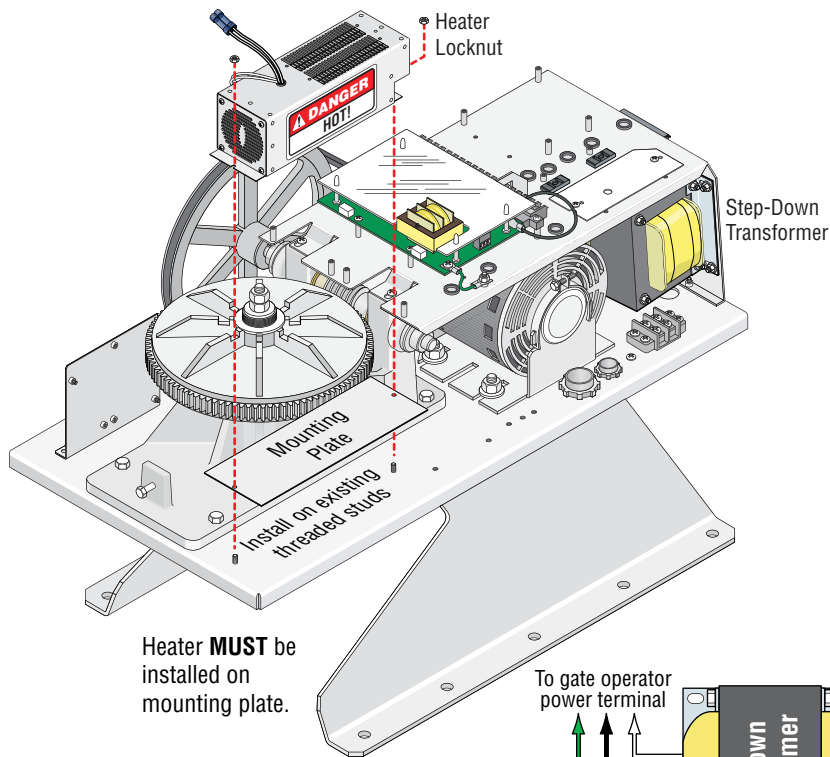
1601-197 Kit
208/230 VAC Models
3.3 Amp

IMPORTANT: Your gate operator **MUST** have the optional **high voltage kit** installed on it.

High voltage AC input wire size and distance limitations for a 6300 208/230 VAC Input Power with a heater.

Model	Horsepower	Volts	Operator and Heater Amps	Wire Size / Max Distance in Feet				
				12 AWG	10 AWG	8 AWG	6 AWG	Heater Kit P/N
	1/2 HP	208/230	6.0	260	410	660	1050	1601-197
	1 HP	208/230	8.2	190	300	480	770	1601-197

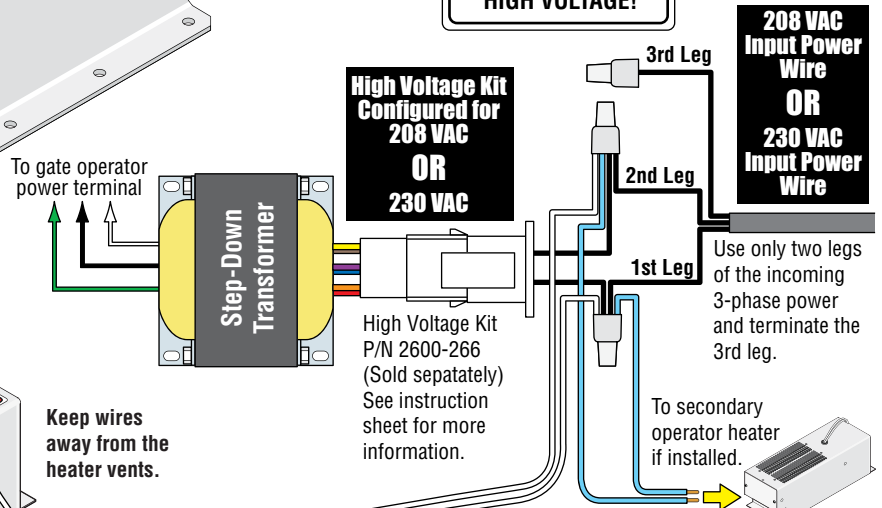
Wire run distances are shown for a single 6300 operator with heater. In bi-parting (dual) gate applications, reduce the distance by one-half.



Heater **MUST** be installed on mounting plate.

Shut off the AC input power wire from the main circuit breaker.

DANGER
HIGH VOLTAGE!



208 VAC Input Power Wire OR 230 VAC Input Power Wire

High Voltage Kit Configured for 208 VAC OR 230 VAC

High Voltage Kit P/N 2600-266 (Sold separately) See instruction sheet for more information.

Use only two legs of the incoming 3-phase power and terminate the 3rd leg.

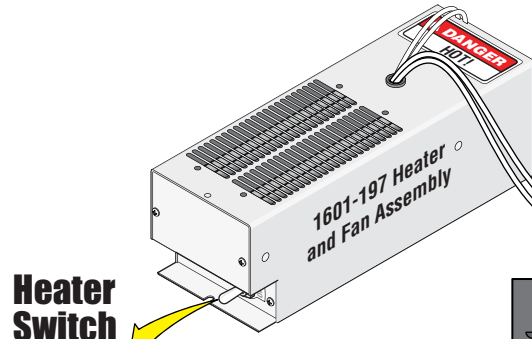
Keep wires away from the heater vents.

Wire heater(s) **DIRECTLY** from input power wire.

DO NOT wire heater to gate operator power terminal or damage will occur.

Note for Bi-Parting Dual Gate Operators: Run two (AWG 16-600 volt insulation) power wires from the **input power wire** through the interconnection cable conduit to power the secondary operator's heater.

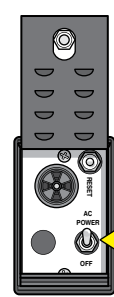
DO NOT wire secondary heater directly to the secondary gate operator's terminal or damage will occur.



Heater Switch



ON - Normal setting. Automatically turns the heater **ON** when the temperature drops below 40°F (4°C) inside the operator, and turns the heater **OFF** when the temperature rises above 55°F (13°C) inside the operator.
OFF - Turns the heater off.



Note: Heater will **NOT** turn off when using the gate operator ON/OFF power switch.

DOOR KING
120 S. Glasgow Avenue
Inglewood, California 90301 U.S.A.


6300 - 460 VAC Input Power ONLY Installation

DoorKing Part Number:

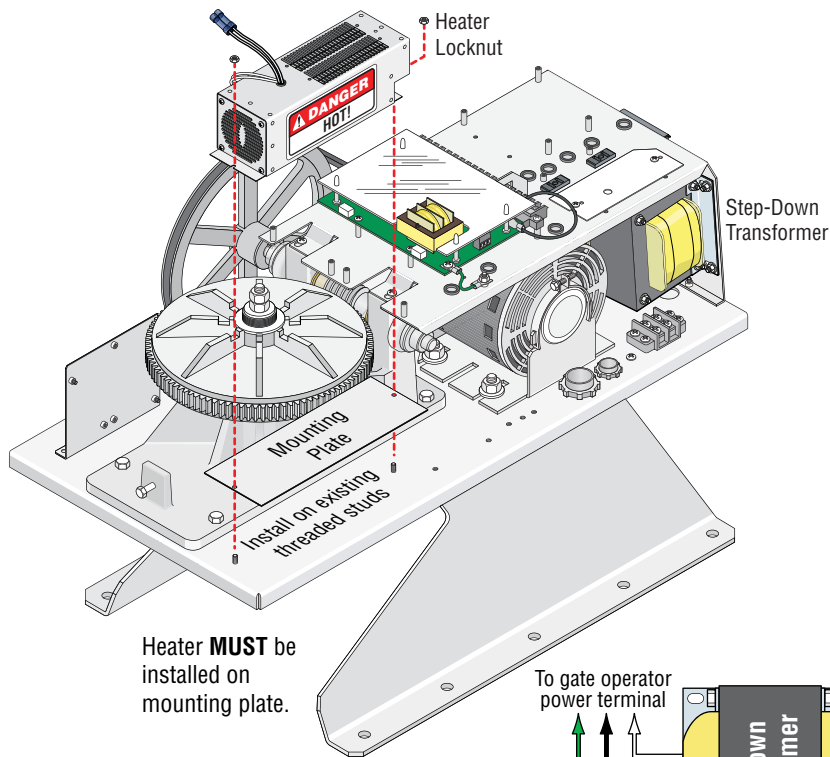
1601-198 Kit
460 VAC Models
3.3 Amp

IMPORTANT: Your gate operator **MUST** have the optional **high voltage kit** installed on it.

High voltage AC input wire size and distance limitations for a 6300 208/230 VAC Input Power with a heater.

Model	Horsepower	Volts	Operator and Heater Amps	Wire Size / Max Distance in Feet				
				12 AWG	10 AWG	8 AWG	6 AWG	Heater Kit P/N
	1/2 HP	460	4.7	740	1180	1870	2980	1601-198
	1 HP	460	5.7	610	970	1540	2460	1601-198

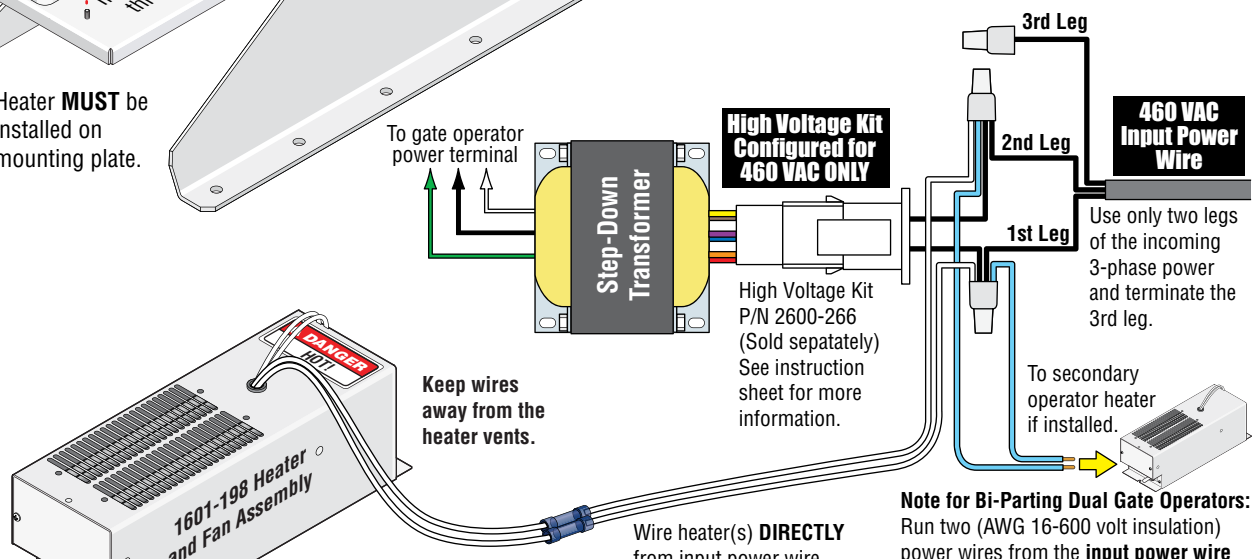
Wire run distances are shown for a single 6300 operator with heater. In bi-parting (dual) gate applications, reduce the distance by one-half.



Heater **MUST** be installed on mounting plate.

Shut off the AC input power wire from the main circuit breaker.

DANGER
HIGH VOLTAGE!



Note for Bi-Parting Dual Gate Operators: Run two (AWG 16-600 volt insulation) power wires from the **input power wire** through the interconnection cable conduit to power the secondary operator's heater.

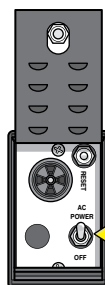
DO NOT wire secondary heater directly to the secondary gate operator's terminal or damage will occur.

Heater Switch



ON - Normal setting. Automatically turns the heater **ON** when the temperature drops below 40°F (4°C) inside the operator, and turns the heater **OFF** when the temperature rises above 55°F (13°C) inside the operator.

OFF - Turns the heater off.



Note: Heater will **NOT** turn off when using the gate operator ON/OFF power switch.

DO NOT wire heater to gate operator power terminal or damage will occur.


6550 - 208/230 VAC Input Power ONLY Install

DoorKing Part Number:

1601-197 Kit
208/230 VAC Models
3.3 Amp

IMPORTANT: Your gate operator **MUST** have the optional **high voltage kit** installed on it.

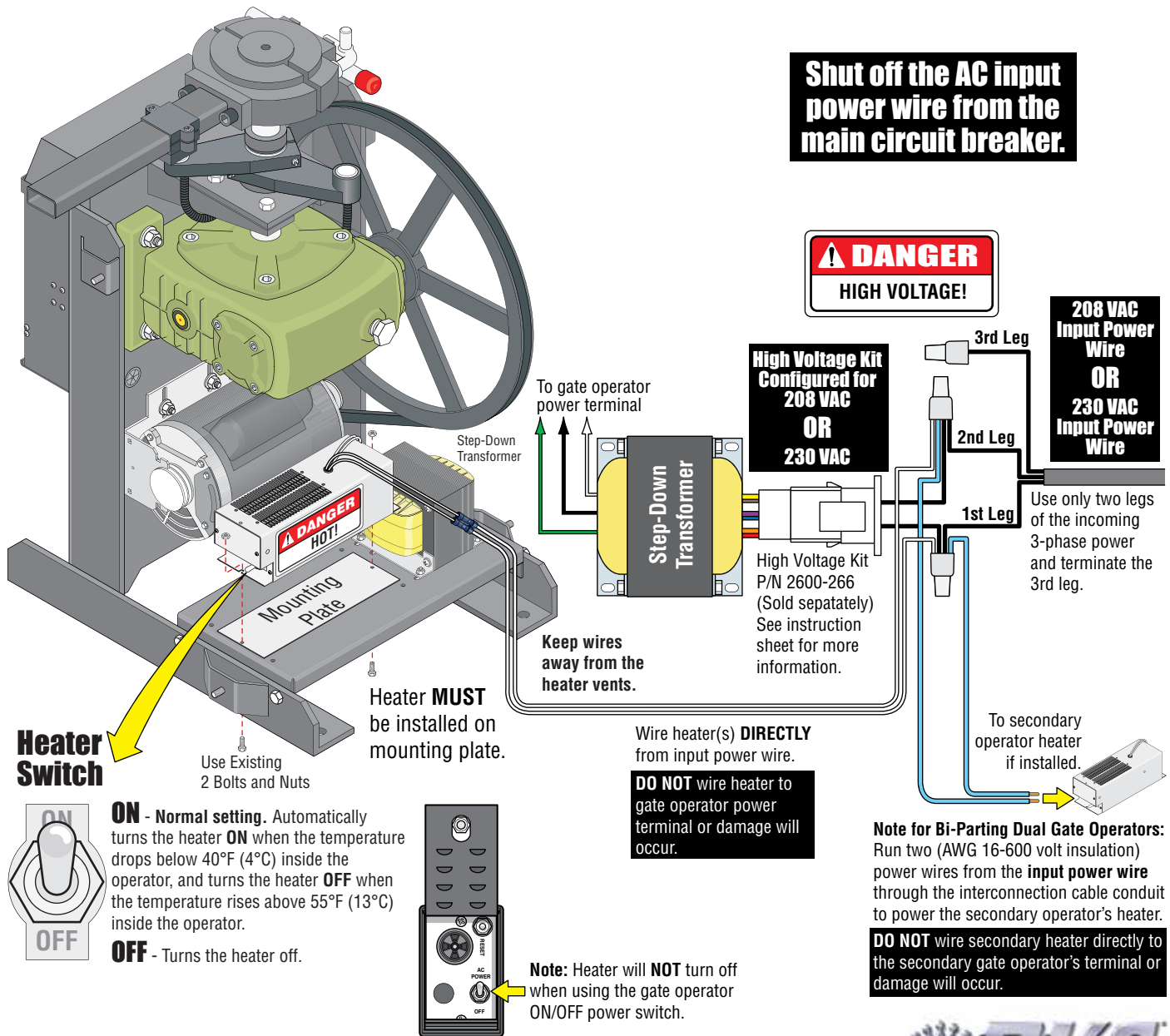
High voltage AC input wire size and distance limitations for a 6550 208/230 VAC Input Power with a heater.

Model	Horsepower	Volts	Operator and Heater Amps	Wire Size / Max Distance in Feet				
				12 AWG	10 AWG	8 AWG	6 AWG	Heater Kit P/N
	1 HP	208/230	8.2	190	300	480	770	1601-197

Wire run distances are shown for a single 6550 operator with heater. In bi-parting (dual) gate applications, reduce the distance by one-half.

Shut off the AC input power wire from the main circuit breaker.

DANGER
HIGH VOLTAGE!



6550 - 460 VAC Input Power ONLY Installation


DoorKing Part Number:

1601-198 Kit

460 VAC Models
3.3 Amp

IMPORTANT: Your gate operator **MUST** have the optional **high voltage kit** installed on it.

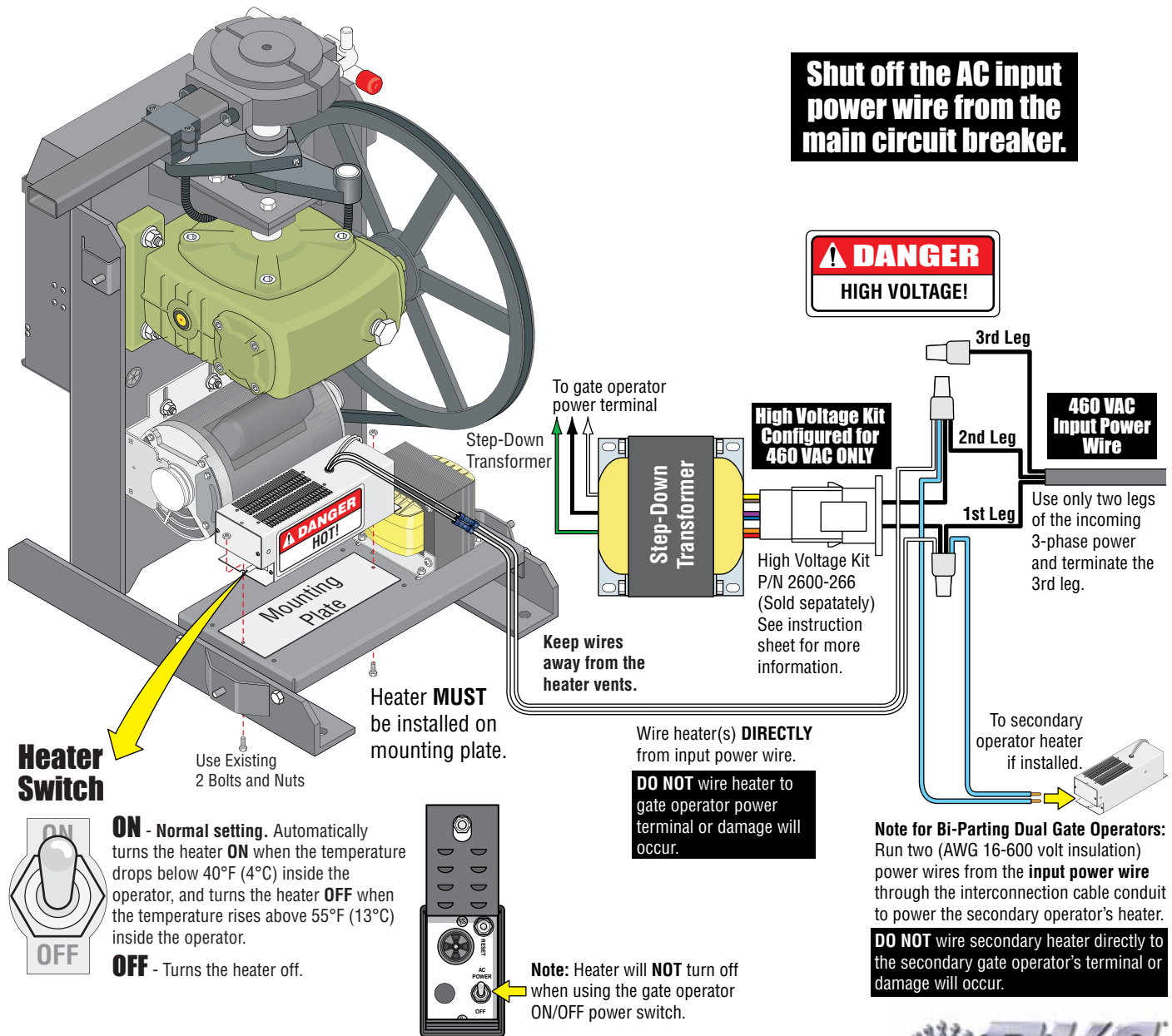
High voltage AC input wire size and distance limitations for a 6550 460 VAC Input Power with a heater.

Model	Horsepower	Volts	Operator and Heater Amps	Wire Size / Max Distance in Feet				
				12 AWG	10 AWG	8 AWG	6 AWG	Heater Kit P/N
	1 HP	460	5.7	850	1350	2150	3420	1601-198

Wire run distances are shown for a single 6550 operator with heater. In bi-parting (dual) gate applications, reduce the distance by one-half.

Shut off the AC input power wire from the main circuit breaker.

⚠ DANGER HIGH VOLTAGE!




6555 Installation of Heater

DoorKing Part Number:

1601-197 Kit
208/230 VAC Models
3.3 Amp

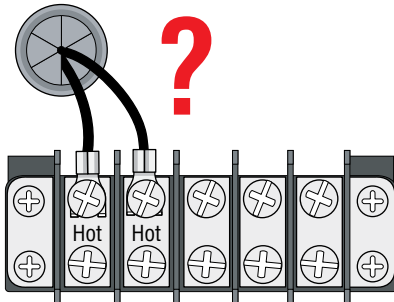
If power wiring is greater than the maximum distance shown, it is recommended that a service feeder be installed. When large gauge wire is used, a separate junction box must be installed for the operator connection. The wire table is based on stranded copper wire. Wire run calculations are based on an AC power source with a 3% voltage drop on the power line, plus an additional 10% reduction in distance to allow for other losses in the system.

High voltage AC input wire size and distance limitations for a 6555 230 VAC with a heater.

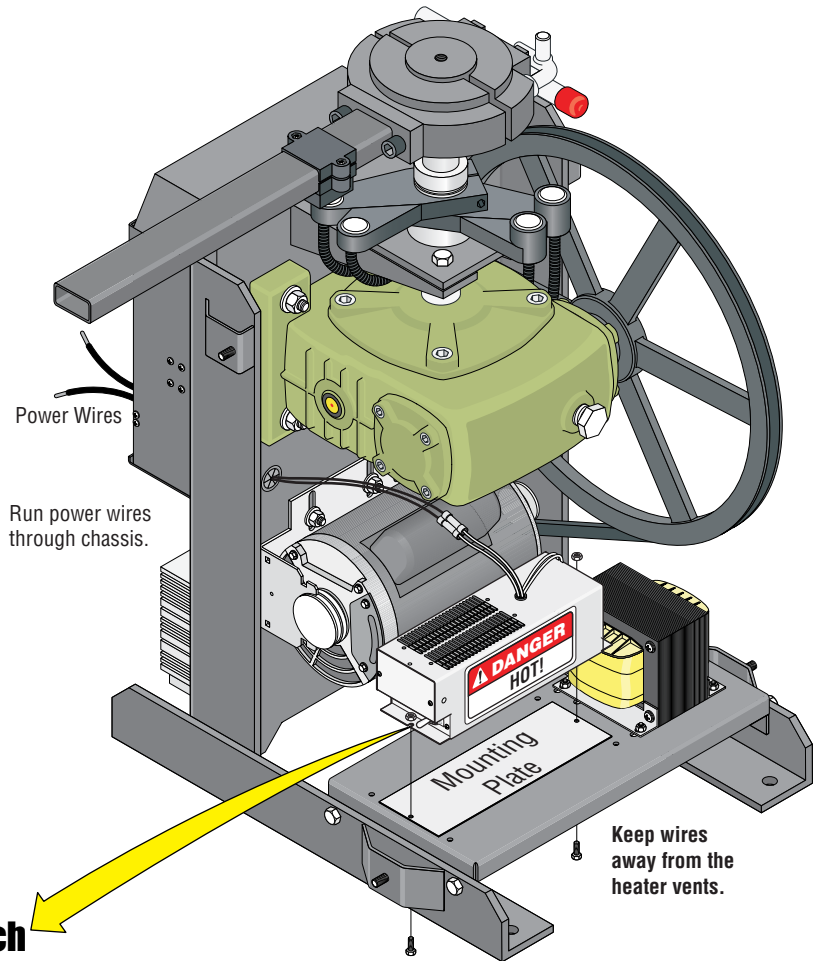
Model	Horsepower	Volts	Operator and Heater Amps	Wire Size / Max Distance in Feet				
				12 AWG	10 AWG	8 AWG	6 AWG	Heater Kit P/N
	2	230	14.8	110	180	290	470	1601-197

Shut off the AC input power to the operator from the circuit breaker.

Operator Power Connection



230 VAC
1601-197 Kit (208/230 VAC)



Heater Switch



ON - Normal setting. Automatically turns the heater and fan **ON** when the temperature drops below 40°F (4°C) inside the operator, and turns the heater and fan **OFF** when the temperature rises above 55°F (13°C) inside the operator.

OFF - Turns the heater and fan off.

Use Existing 2 Bolts and Nuts



120 S. Glasgow Avenue
Inglewood, California 90301 U.S.A.


9000 - 208/230 VAC Input Power ONLY Install

DoorKing Part Number:

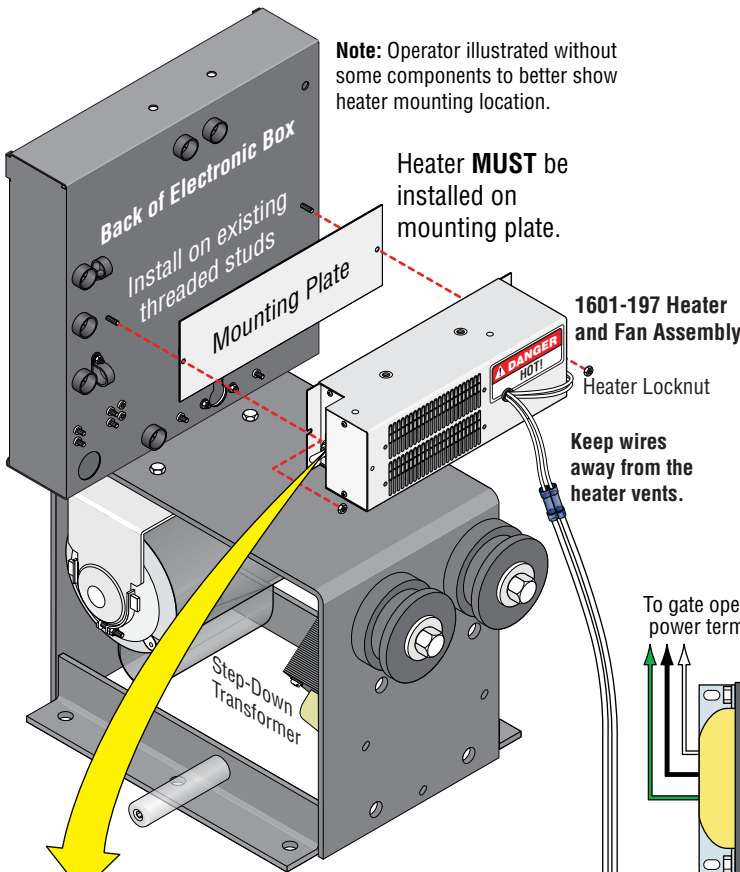
1601-197 Kit
208/230 VAC Models
3.3 Amp

IMPORTANT: Your gate operator **MUST** have the optional **high voltage kit** installed on it.

High voltage AC input wire size and distance limitations for 9000 208/230 VAC Input Power with a heater.

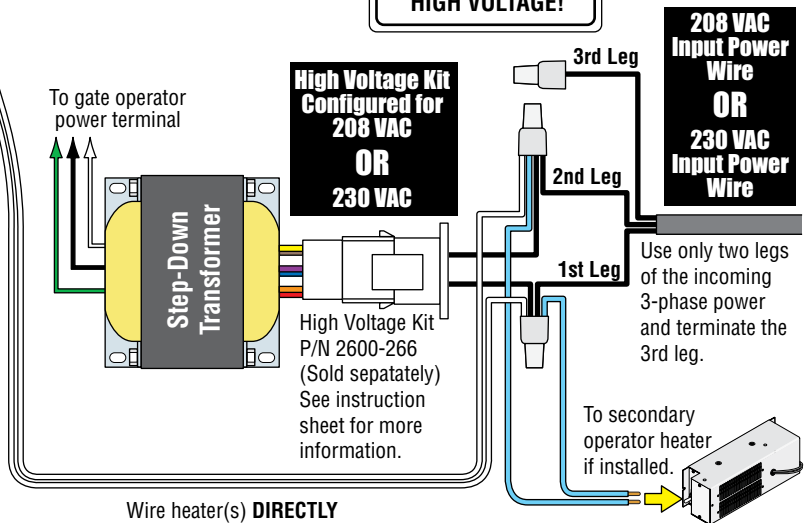
Model	Horsepower	Volts	Operator and Heater Amps	Wire Size / Max Distance in Feet				Heater Kit P/N
				12 AWG	10 AWG	8 AWG	6 AWG	
	1/2 HP	208/230	6.0	260	410	660	1050	1601-197
	1 HP	208/230	8.2	190	300	480	770	1601-197

Wire run distances are shown for a single 9000 operator with heater. In bi-parting (dual) gate applications, reduce the distance by one-half.



Shut off the AC input power wire from the main circuit breaker.

DANGER
HIGH VOLTAGE!

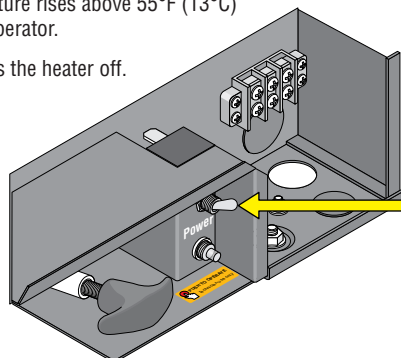


Heater Switch



ON - Normal setting. Automatically turns the heater **ON** when the temperature drops below 40°F (4°C) inside the operator, and turns the heater **OFF** when the temperature rises above 55°F (13°C) inside the operator.

OFF - Turns the heater off.



Wire heater(s) **DIRECTLY** from input power wire.

DO NOT wire heater to gate operator power terminal or damage will occur.

Note: Heater will **NOT** turn off when using the gate operator ON/OFF power switch.

Note for Bi-Parting Dual Gate Operators: Run two (AWG 16-600 volt insulation) power wires from the **input power wire** through the interconnection cable conduit to power the secondary operator's heater.

DO NOT wire secondary heater directly to the secondary gate operator's terminal or damage will occur.



120 S. Glasgow Avenue
Inglewood, California 90301 U.S.A.


9000 - 460 VAC Input Power ONLY Installation

DoorKing Part Number:

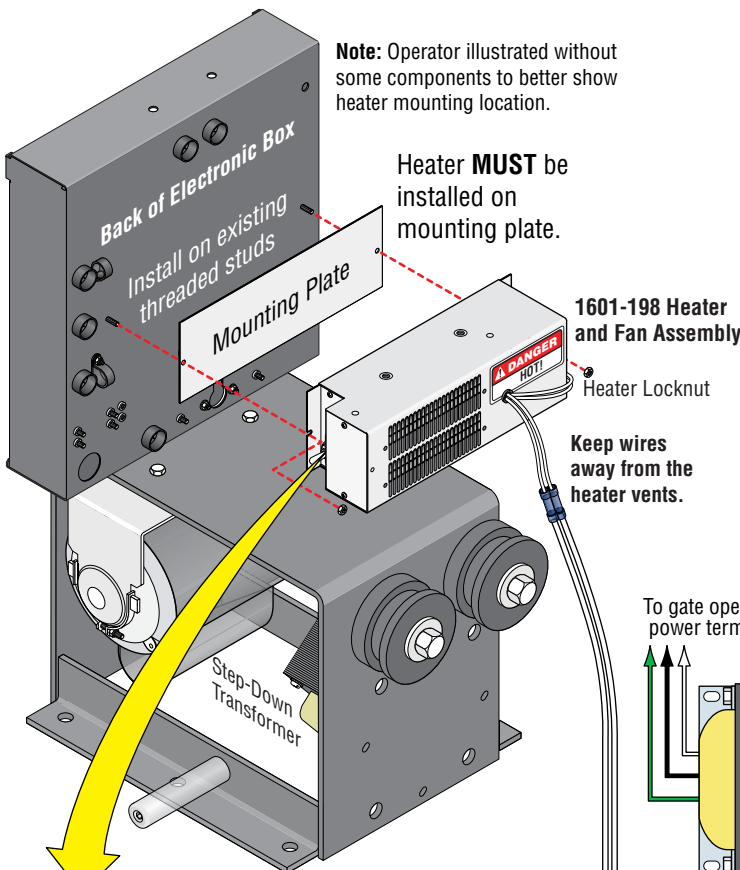
1601-198 Kit
460 VAC Models
3.3 Amp

IMPORTANT: Your gate operator **MUST** have the optional **high voltage kit** installed on it.

High voltage AC input wire size and distance limitations for 9000 460 VAC Input Power with a heater.

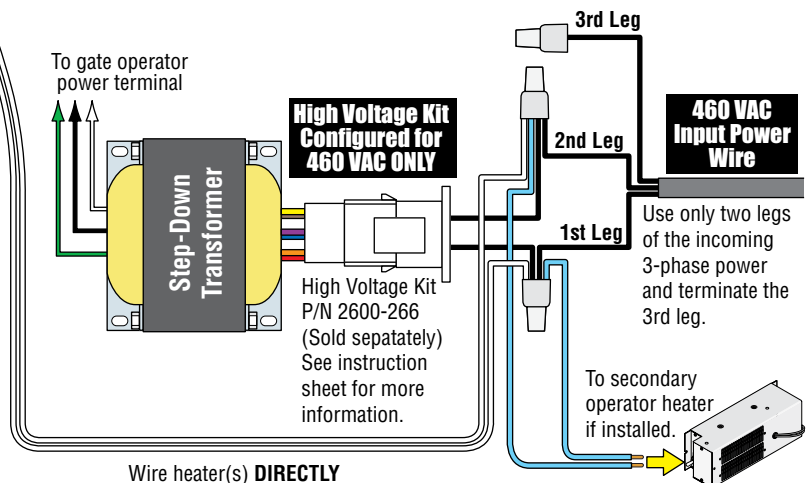
Model	Horsepower	Volts	Operator and Heater Amps	Wire Size / Max Distance in Feet				
				12 AWG	10 AWG	8 AWG	6 AWG	Heater Kit P/N
	1/2 HP	460	4.7	1160	1850	2940	4670	1601-198
	1 HP	460	5.7	850	1350	2150	3420	1601-198

Wire run distances are shown for a single 9000 operator with heater. In bi-parting (dual) gate applications, reduce the distance by one-half.



Shut off the AC input power wire from the main circuit breaker.

DANGER
HIGH VOLTAGE!

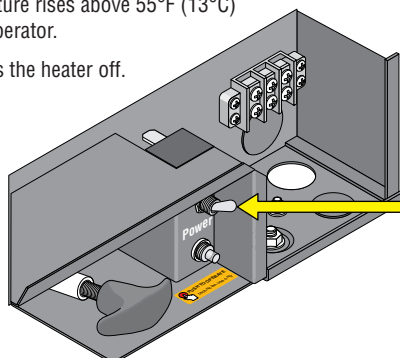


Heater Switch



ON - Normal setting. Automatically turns the heater **ON** when the temperature drops below 40°F (4°C) inside the operator, and turns the heater **OFF** when the temperature rises above 55°F (13°C) inside the operator.

OFF - Turns the heater off.



Wire heater(s) **DIRECTLY** from input power wire.

DO NOT wire heater to gate operator power terminal or damage will occur.

Note: Heater will **NOT** turn off when using the gate operator ON/OFF power switch.

Note for Bi-Parting Dual Gate Operators: Run two (AWG 16-600 volt insulation) power wires from the **input power wire** through the interconnection cable conduit to power the secondary operator's heater.

DO NOT wire secondary heater directly to the secondary gate operator's terminal or damage will occur.

DKS
DOOR KING®

120 S. Glasgow Avenue
Inglewood, California 90301 U.S.A.


9024 AC Powered - 230 VAC Installation

DoorKing Part Number:

1601-197 Kit
208/230 VAC Models
3.3 Amp

If power wiring is greater than the maximum distance shown, it is recommended that a service feeder be installed. When large gauge wire is used, a separate junction box must be installed for the operator connection. The wire table is based on stranded copper wire. Wire run calculations are based on an AC power source with a 3% voltage drop on the power line, plus an additional 10% reduction in distance to allow for other losses in the system.

High voltage AC input wire size and distance limitations for a 9024 AC Powered 230 VAC with a heater.

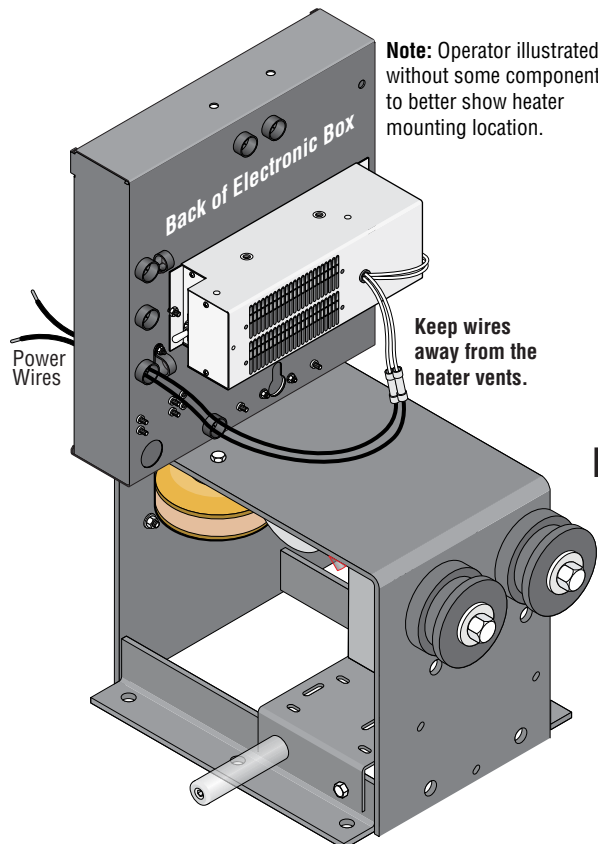
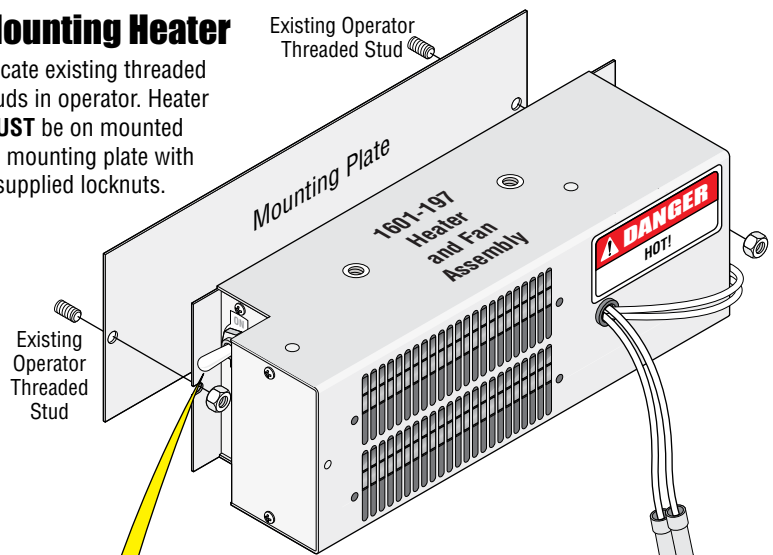
Model	Horsepower	Volts	Operator and Heater Amps	Wire Size / Max Distance in Feet				
				12 AWG	10 AWG	8 AWG	6 AWG	Heater Kit P/N
	Quadra Drive DC Motor	230 ONLY	4.2	410	660	1050	1670	1601-197

In bi-parting (dual) gate applications, high voltage AC power is required for EACH 9024 AC Powered 230 VAC operator with heater.

Shut off the AC input power to the operator from the circuit breaker and DC power switch on operator

Mounting Heater

Locate existing threaded studs in operator. Heater **MUST** be mounted on mounting plate with 2 supplied locknuts.



Note: Operator illustrated without some components to better show heater mounting location.

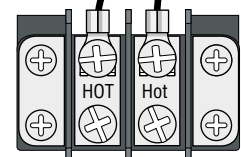
Heater Switch



ON - Normal setting. Automatically turns the heater **ON** when the temperature drops below 40°F (4°C) inside the operator, and turns the heater **OFF** when the temperature rises above 55°F (13°C) inside the operator.

OFF - Turns the heater off.

Operator Power Connection



230 VAC

1601-197 Kit (208/230 VAC)



**9024 AC Powered
230 VAC ONLY**

DOORS DOOR KING
120 S. Glasgow Avenue
Inglewood, California 90301 U.S.A.


9150 - 208/230 VAC Input Power ONLY Install

DoorKing Part Number:

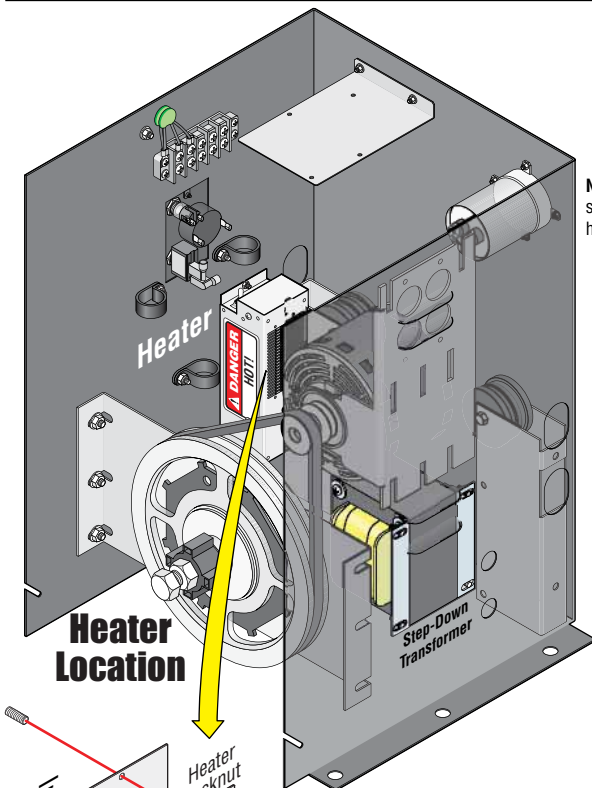
1601-197 Kit
208/230 VAC Models
3.3 Amp

IMPORTANT: Your gate operator **MUST** have the optional **high voltage kit** installed on it.

High voltage AC input wire size and distance limitations for a 9150 208/230 VAC Input Power with a heater.

Model	Horsepower	Volts	Operator and Heater Amps	Wire Size / Max Distance in Feet				
				12 AWG	10 AWG	8 AWG	6 AWG	Heater Kit P/N
	1/2 HP	208/230	6.0	260	410	660	1050	1601-197
	1 HP	208/230	8.2	190	300	480	77	1601-197

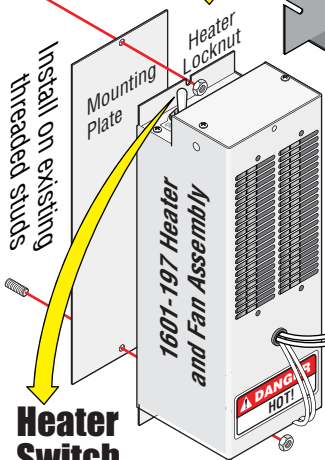
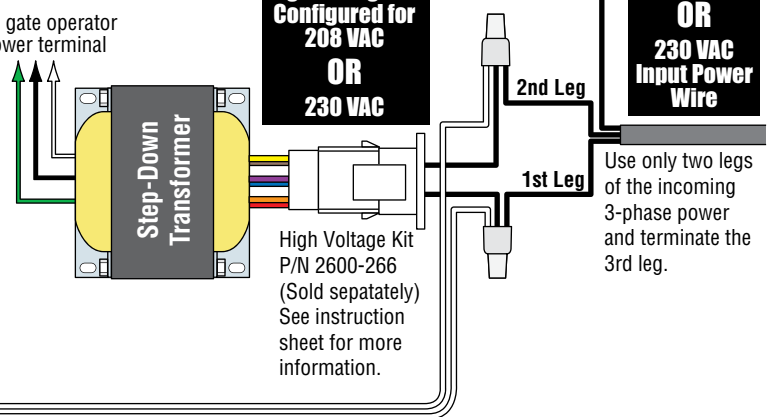
In bi-parting (dual) gate applications, high voltage AC power is required for EACH 9150 operator with heater.



Shut off the AC input power wire from the main circuit breaker.

DANGER
HIGH VOLTAGE!

To gate operator power terminal

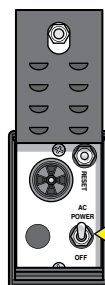


Heater Switch



ON - Normal setting. Automatically turns the heater **ON** when the temperature drops below 40°F (4°C) inside the operator, and turns the heater **OFF** when the temperature rises above 55°F (13°C) inside the operator.

OFF - Turns the heater off.



Note: Heater will **NOT** turn off when using the gate operator ON/OFF power switch.

Wire heater **DIRECTLY** from input power wire.

DO NOT wire heater to gate operator power terminal or damage will occur.

9150 - 460 VAC Input Power ONLY Installation

DoorKing Part Number:


1601-198 Kit

460 VAC Models

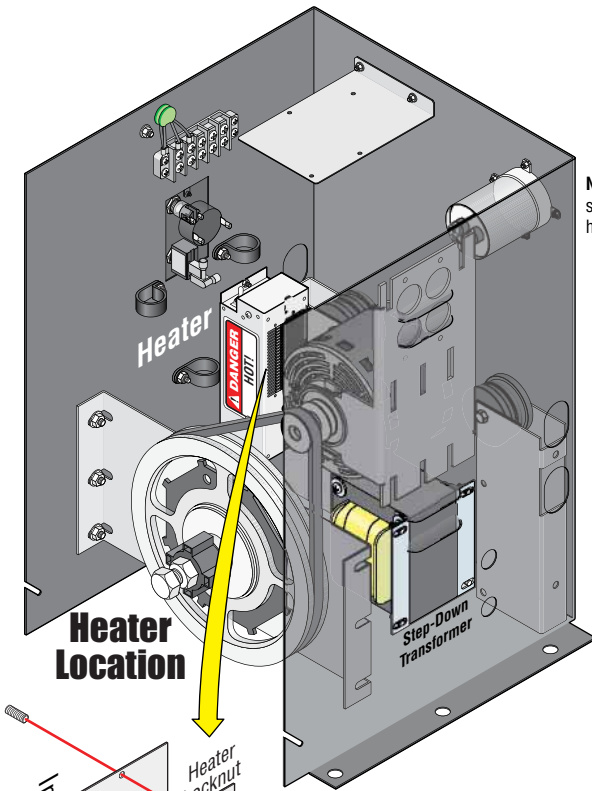
3.3 Amp

IMPORTANT: Your gate operator **MUST** have the optional **high voltage kit** installed on it.

High voltage AC input wire size and distance limitations for a 9150 208/230 VAC Input Power with a heater.

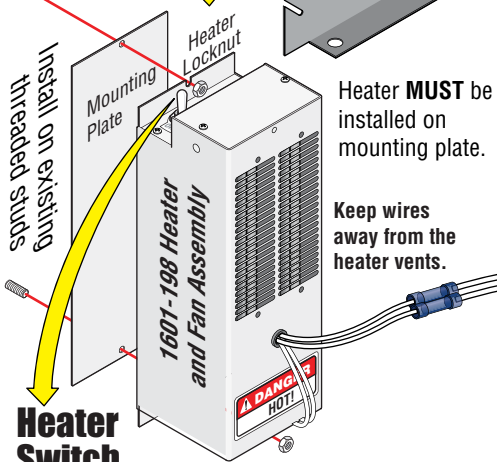
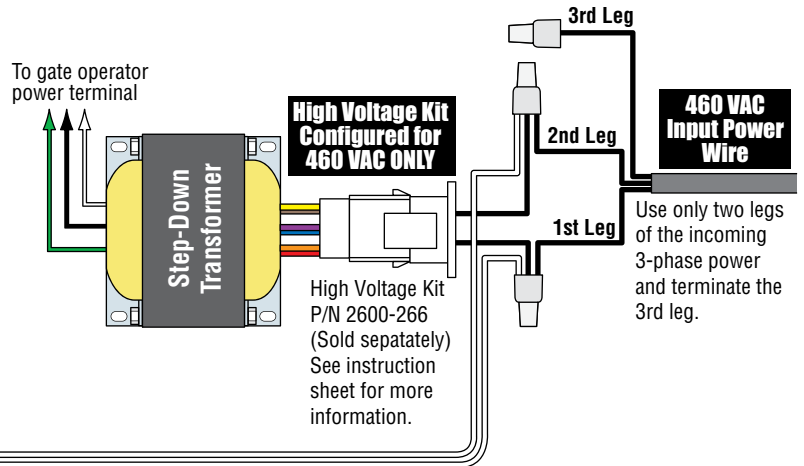
Model	Horsepower	Volts	Operator and Heater Amps	Wire Size / Max Distance in Feet				Heater Kit P/N
				12 AWG	10 AWG	8 AWG	6 AWG	
	1/2 HP	460	4.7	1160	1850	2940	4670	1601-198
	1 HP	460	5.7	850	1350	2150	3420	1601-198

In bi-parting (dual) gate applications, high voltage AC power is required for EACH 9150 operator with heater.



Shut off the AC input power wire from the main circuit breaker.

! DANGER HIGH VOLTAGE!

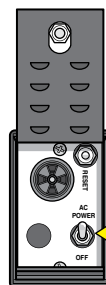


Heater Switch



ON - Normal setting. Automatically turns the heater **ON** when the temperature drops below 40°F (4°C) inside the operator, and turns the heater **OFF** when the temperature rises above 55°F (13°C) inside the operator.

OFF - Turns the heater off.



Note: Heater will **NOT** turn off when using the gate operator ON/OFF power switch.

Wire heater **DIRECTLY** from input power wire.

DO NOT wire heater to gate operator power terminal or damage will occur.

1600 - 208/230 VAC Input Power ONLY Install

DoorKing Part Number:

1601-197 Kit
208/230 VAC Models
3.3 Amp

IMPORTANT: Your gate operator **MUST** have the optional high voltage kit installed on it.

High voltage AC input wire size and distance limitations for a 1600 208/230 VAC Input Power with a heater.

Model	Horsepower	Volts	Operator and Heater Amps	Wire Size / Max Distance in Feet				
				12 AWG	10 AWG	8 AWG	6 AWG	Heater Kit P/N
1601 / 1603	1/2 HP	208/230	6.0	260	410	660	1050	1601-197
1602	1 HP	208/230	8.2	190	300	480	770	1601-197

In bi-parting (dual) gate applications, high voltage AC power is required for EACH 1601 or 1602 operator with heater.

Shut off the AC input power wire from the main circuit breaker.

⚠ DANGER
HIGH VOLTAGE!

208 VAC Input Power Wire
OR
230 VAC Input Power Wire

High Voltage Kit Configured for 208 VAC OR 230 VAC

High Voltage Kit P/N 2600-266 (Sold separately) See instruction sheet for more information.

Use only two legs of the incoming 3-phase power and terminate the 3rd leg.

Wire heater **DIRECTLY** from input power wire.

DO NOT wire heater to gate operator power terminal or damage will occur.

To gate operator power terminal

Install with existing carriage bolts **OR** existing threaded studs

Heater **MUST** be mounted on mounting plate.

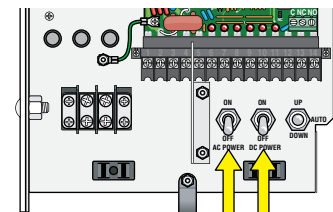
Use supplied wire stays and existing wire restrainers to run wires. **Keep wires clear of all moving parts and the heater vents.**

Heater Switch



ON - Normal setting. Automatically turns the heater **ON** when the temperature drops below 40°F (4°C) inside the operator, and turns the heater **OFF** when the temperature rises above 55°F (13°C) inside the operator.

OFF - Turns the heater off.



Note: Heater will **NOT** turn off when using the gate operator ON/OFF power switch(s).

DKS
DOOR KING
120 S. Glasgow Avenue
Inglewood, California 90301 U.S.A.

1600 - 460 VAC Input Power ONLY Installation

DoorKing Part Number:

1601-198 Kit
460 VAC Models
3.3 Amp

IMPORTANT: Your gate operator **MUST** have the optional high voltage kit installed on it.

High voltage AC input wire size and distance limitations for a 1600 460 VAC Input Power with a heater.

Model	Horsepower	Volts	Operator and Heater Amps	Wire Size / Max Distance in Feet				Heater Kit P/N
				12 AWG	10 AWG	8 AWG	6 AWG	
1601 / 1603	1/2 HP	460	4.7	1160	1850	2940	4670	1601-198
1602	1 HP	460	5.7	850	1350	2150	3420	1601-198

In bi-parting (dual) gate applications, high voltage AC power is required for EACH 1601 or 1602 operator with heater.

Shut off the AC input power wire from the main circuit breaker.

