

OCTAGON ARM REVERSE/LED EDGE INSTALLATION

DoorKing Part Number
1601-235
Octagon Arm Hardware Kit

This kit is designed for a 1601 barrier gate operator **WITHOUT convenience open OR** 1603 auto-spikes barrier operator. It **CANNOT** be used with a 1602 operator. The kit provides a reversing edge with OR /without Red/Green LEDs for a **octagon** arm. When the arm is raised, LEDs turn **GREEN**, and turns **RED** when lowered and remains **RED** in the down position. Arm will reverse if lowering and a obstruction is encountered.

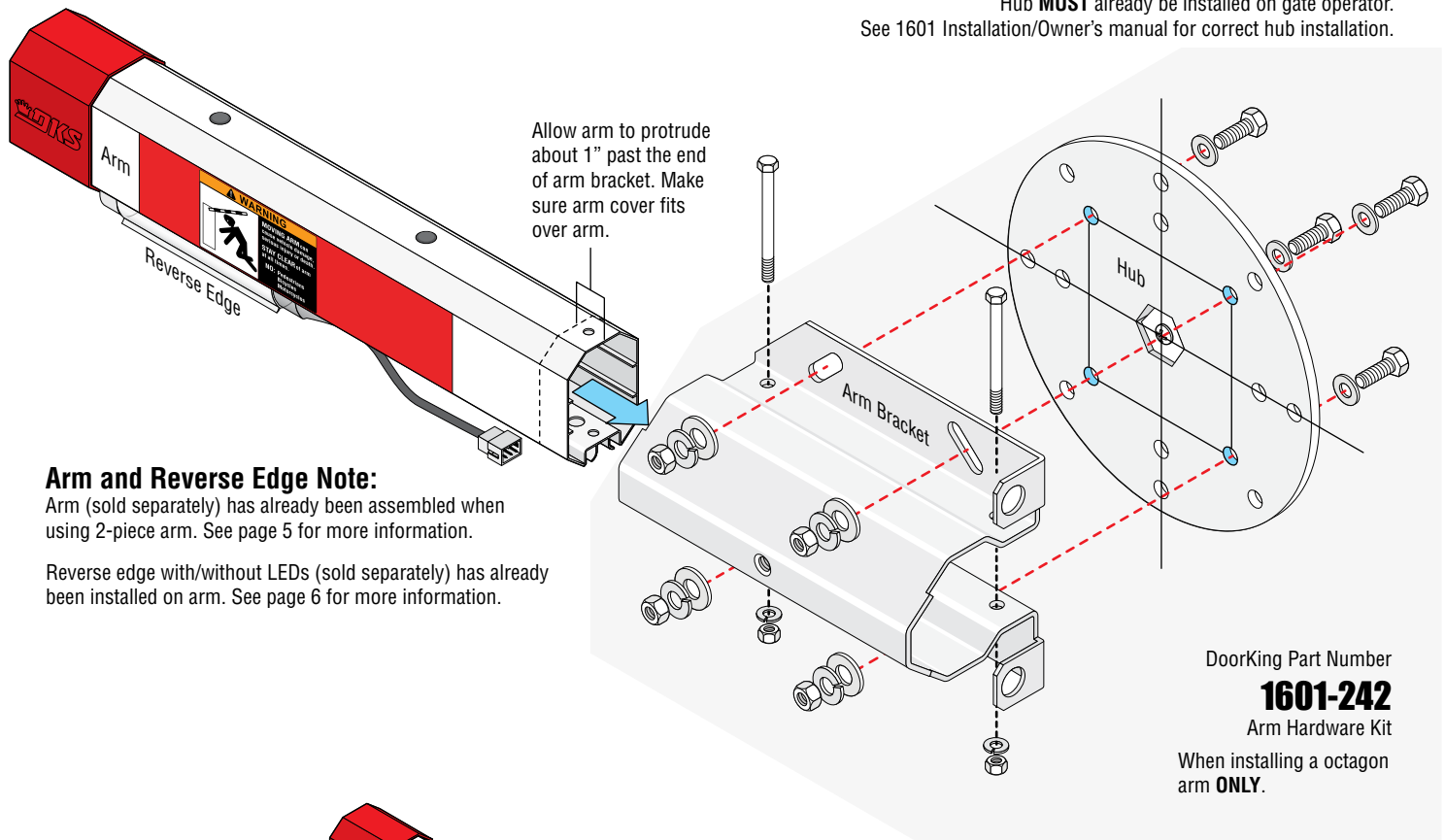
Note: DO NOT operate arm with a malfunctioning reverse edge.

Installation

Drawings NOT to scale

Install Bracket

Test hub **UP** and **DOWN** position before installing bracket.

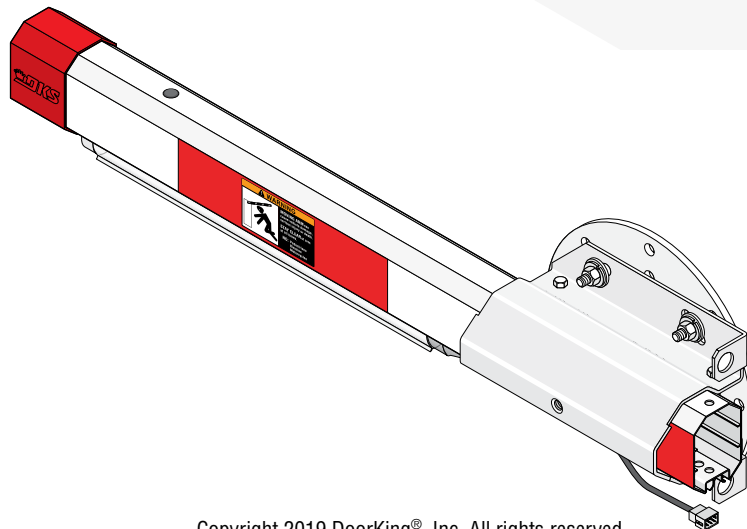
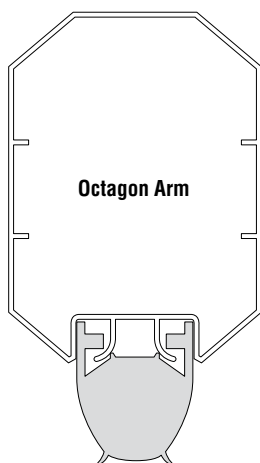


Arm and Reverse Edge Note:

Arm (sold separately) has already been assembled when using 2-piece arm. See page 5 for more information.

Reverse edge with/without LEDs (sold separately) has already been installed on arm. See page 6 for more information.

DoorKing Part Number
1601-242
Arm Hardware Kit
When installing a octagon arm **ONLY**.

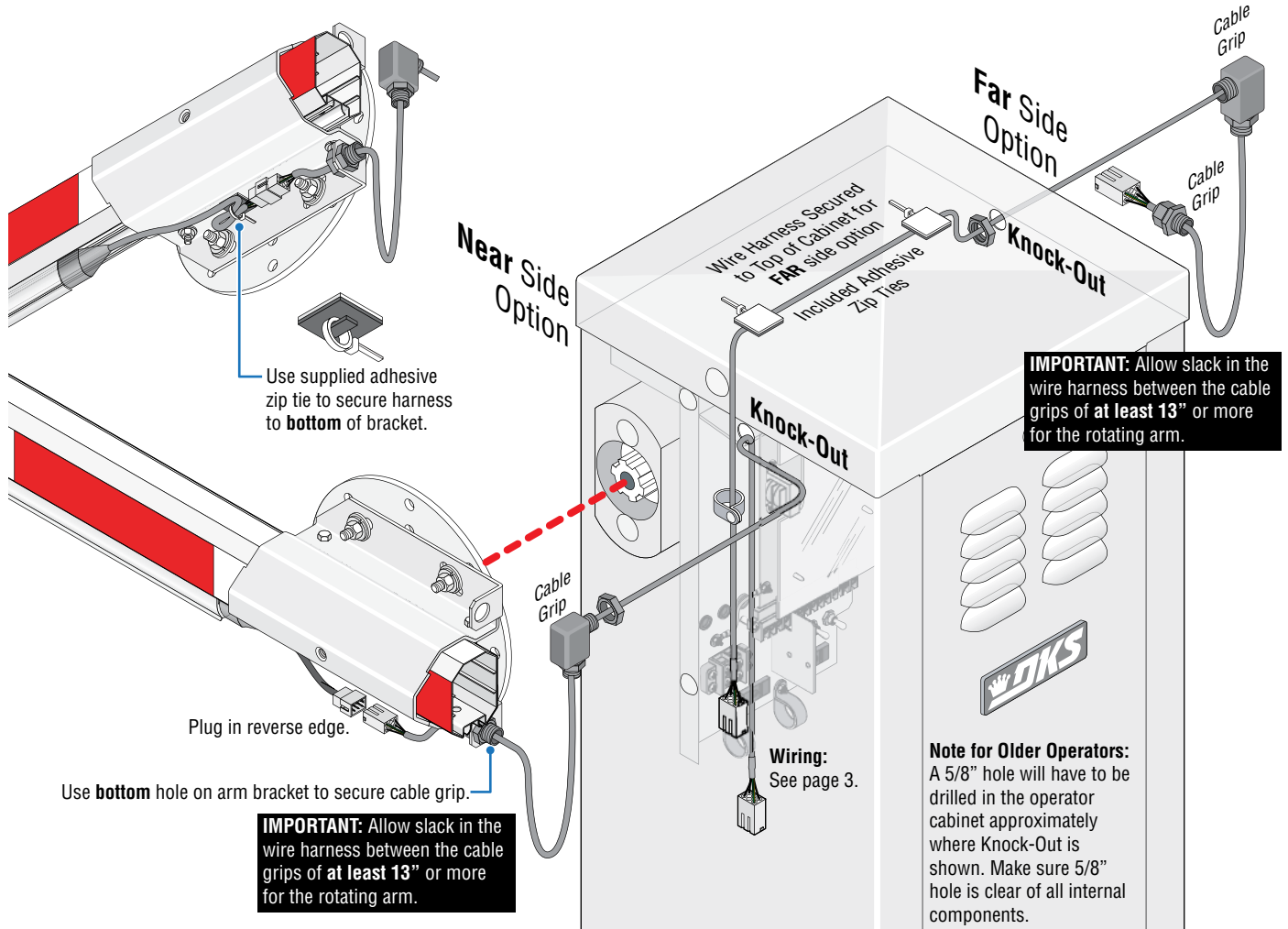


Copyright 2019 DoorKing®, Inc. All rights reserved.

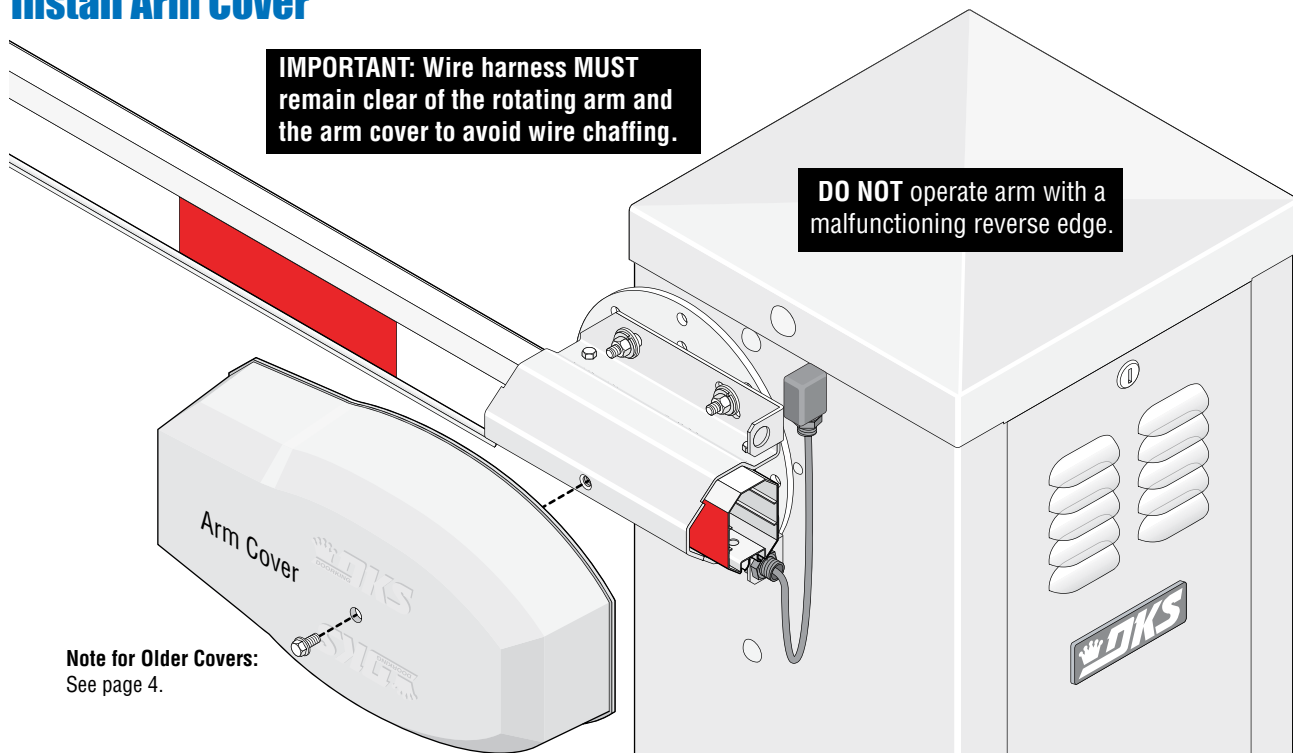
DKS
DOOR KING®
120 S. Glasgow Avenue
Inglewood, California 90301 U.S.A.

Run Wire Harness (1601-345)

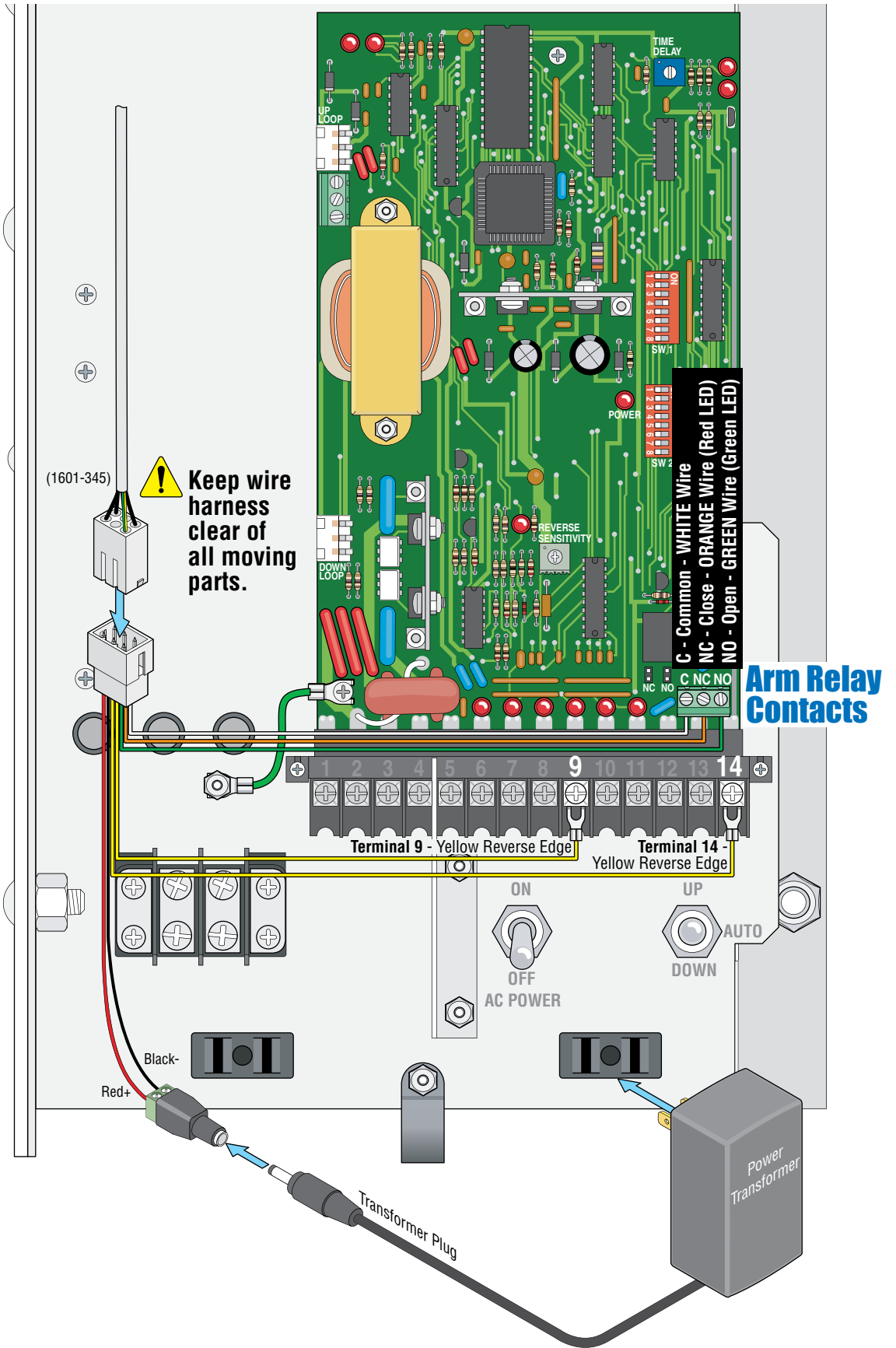
Choose which side of the operator the arm is mounted on, remove knock-out and run wire harness accordingly as shown.



Install Arm Cover



MAKE SURE ALL POWER IS TURNED OFF TO OPERATOR!

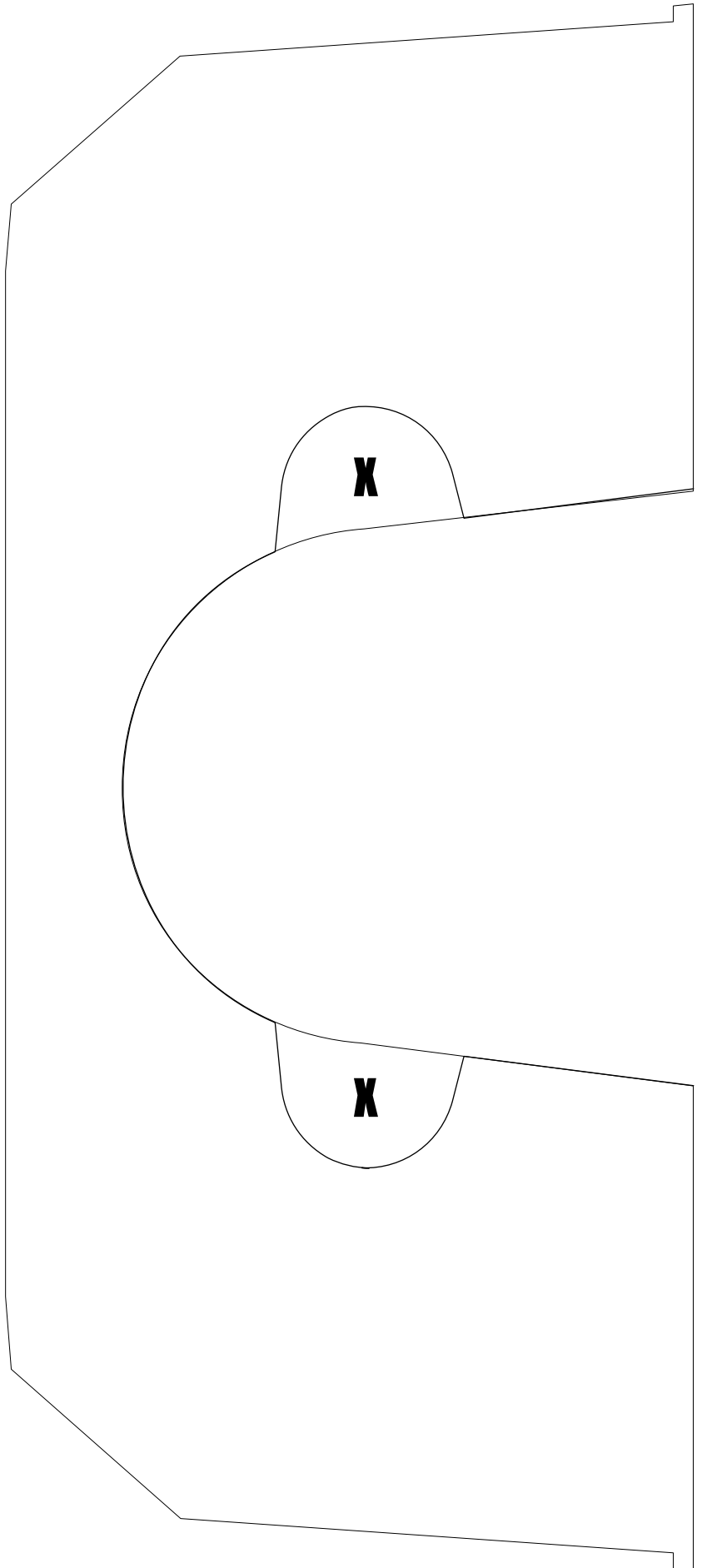


1601 operators WITH convenience open CANNOT be USED.

Keep wire harness clear of all moving parts.

Older Arm Cover

Older arm cover will need to have the reverse edge cut out of the existing cover. Only one side of the cover will need to be cut out depending on which side of the operator the arm is mounted on. Use this template as a guide to remove material from the cover.

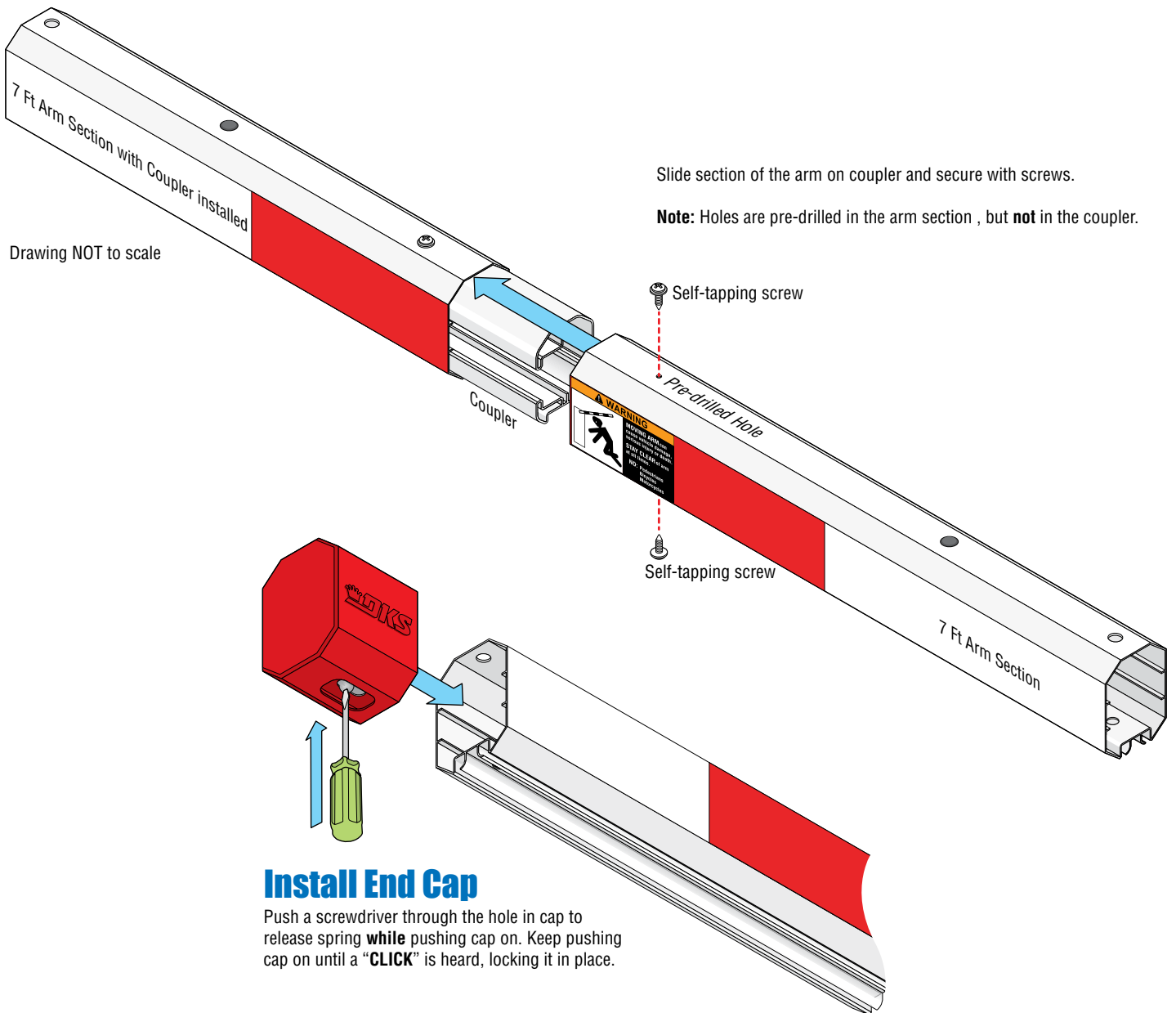


14 FT 2-PIECE OCTAGON ARM ASSEMBLY

DoorKing Part Number
1601-567
14 Ft 2-Piece Octagon Arm Kit

This kit is designed for use on a 1601 or 1603 barrier gate operators **ONLY**. It has 2-7 ft arm sections that assemble into a 14 ft arm.

Assemble Arm



REVERSE EDGE / RED GREEN LED INSTALLATION

DoorKing Part Numbers

8080-080

Reverse Edge

8080-096

Reverse Edge + Red/Green LED

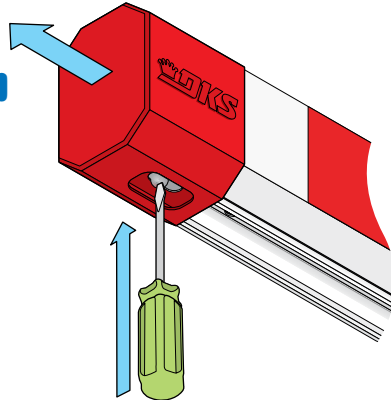
This kit is designed to install on a 14 ft aluminum **octagon arm** for a 1601 barrier gate operator or a 1603 auto spikes operator. It **CANNOT** be used with a 1602 operator.

Note: DO NOT operate arm with a malfunctioning reverse edge.

Installation

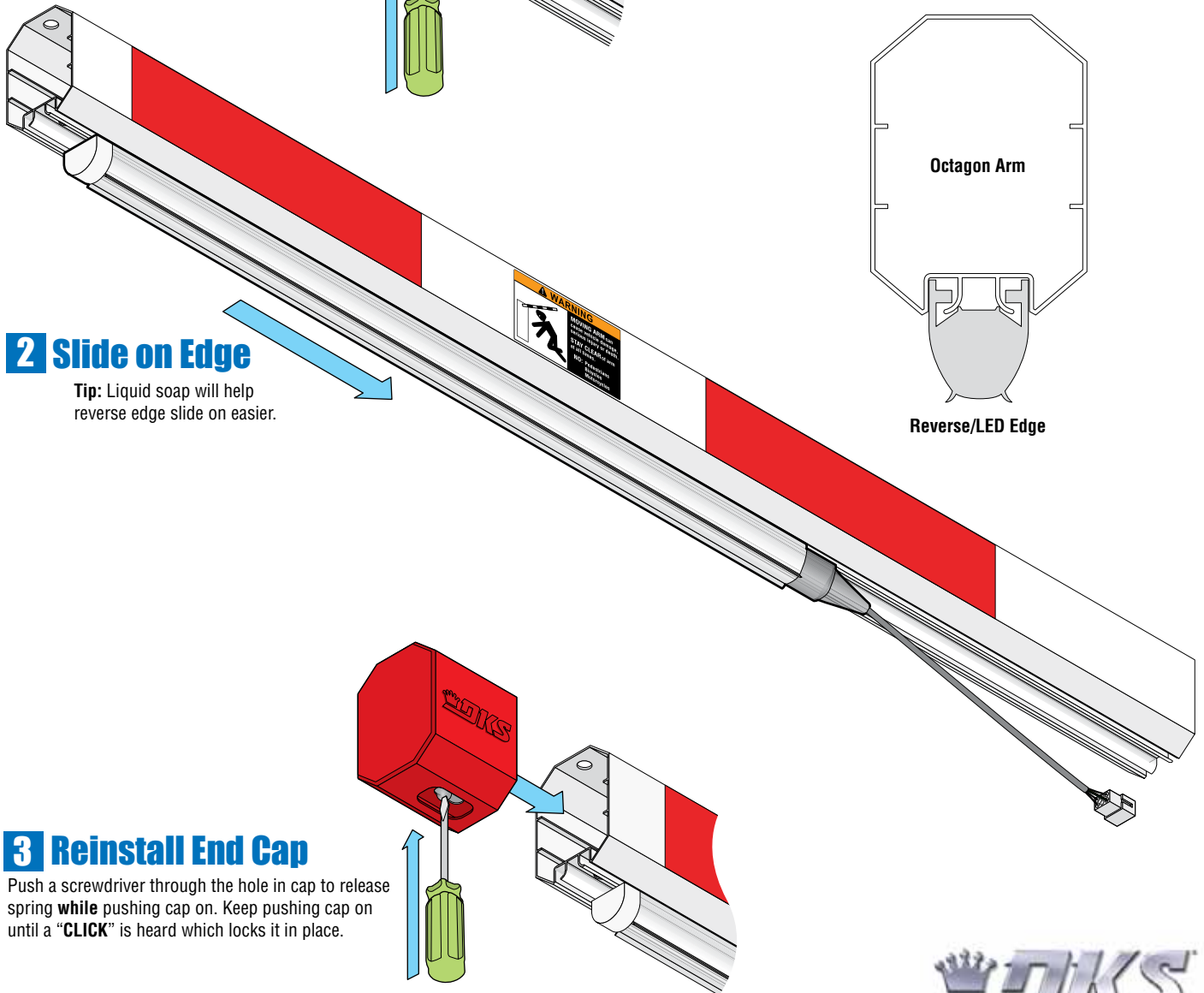
1 Remove End Cap

Push a screwdriver through hole in bottom of end cap to release spring **while** pulling cap off.



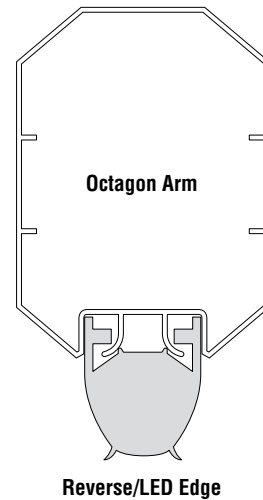
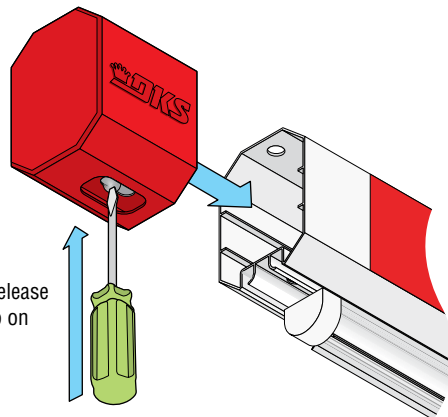
2 Slide on Edge

Tip: Liquid soap will help reverse edge slide on easier.



3 Reinstall End Cap

Push a screwdriver through the hole in cap to release spring **while** pushing cap on. Keep pushing cap on until a "**CLICK**" is heard which locks it in place.



Octagon Arm

Reverse/LED Edge

DKS
DOOR KING

120 S. Glasgow Avenue
Inglewood, California 90301 U.S.A.

Copyright 2019 DoorKing®, Inc. All rights reserved.