

1601 Manual Release Kit

DoorKing Part Number

1601-270

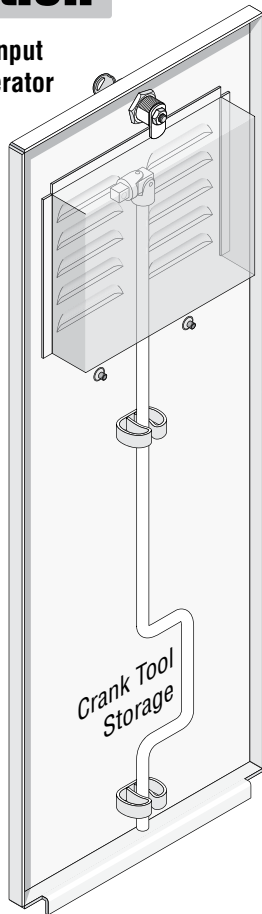
This kit is designed for the 1601 barrier gate operator **WITHOUT** the convenience open option. It provides an interlock power cut-off switch when manually using crank tool to move the arm up or down. **DO NOT install on convenience open models.**

Kit Includes: Pre-wired Interlock assembly,
Double motor pulley, Crank tool,
2 spring clips with lock nuts.

Installation

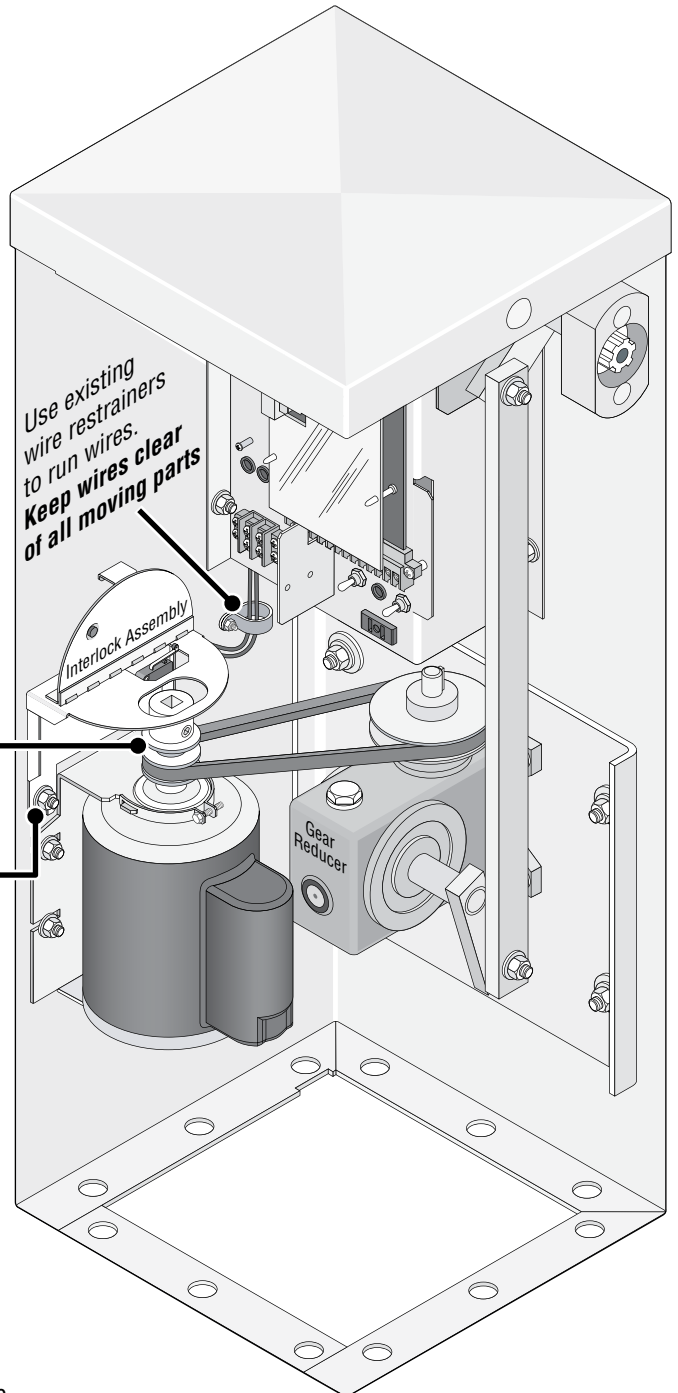
Shut off the AC input power to the operator from the circuit breaker.

Mount spring clips with lock nuts on existing threaded studs inside access door.

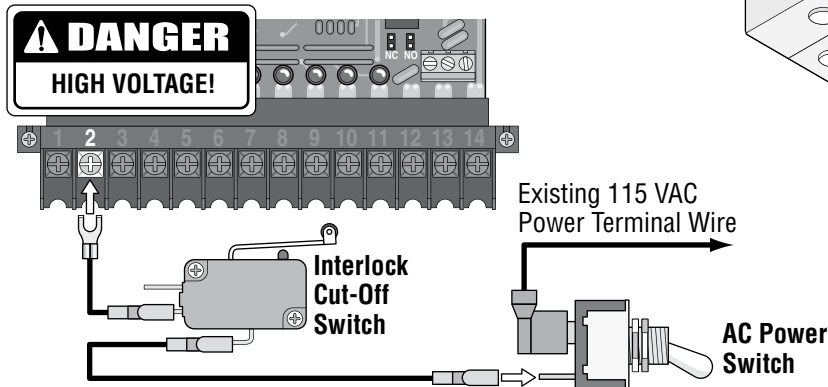


Replace existing single motor pulley with double motor pulley. Align motor pulley with gear reducer pulley.

Mount interlock assembly using existing hardware.



Wiring Interlock



Replace the existing AC power switch wire connected to terminal #2 with interlock cut-off switch wires.

Manual Operation

DoorKing Part Number

1601-270

1. Unlock and remove access door.
2. Remove crank tool from inside access door.
3. Flip interlock assembly door up, power will be disabled from operator.
4. Insert crank tool into motor pulley as shown.
5. Rotate crank tool to manually move operator arm up or down.

