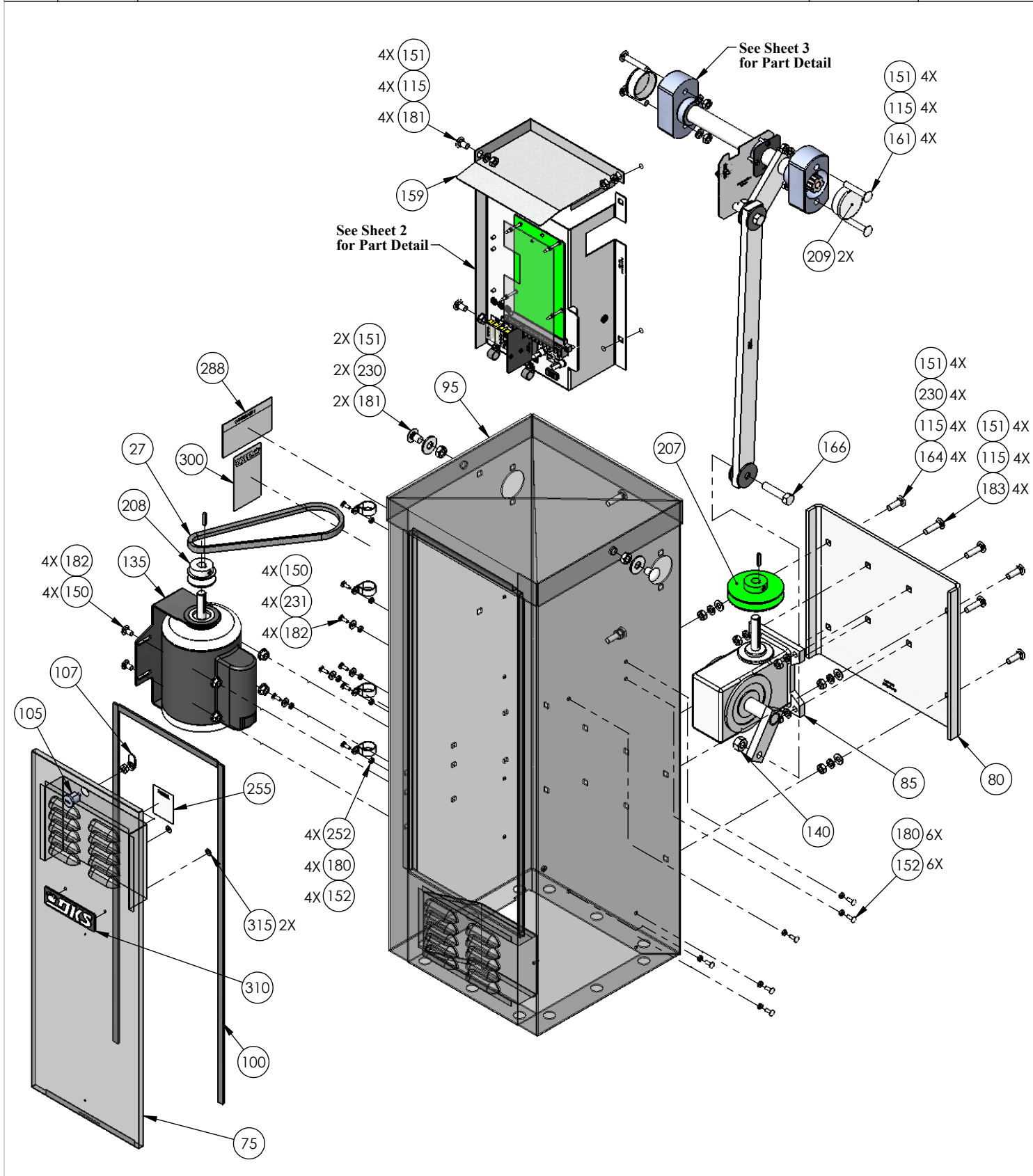



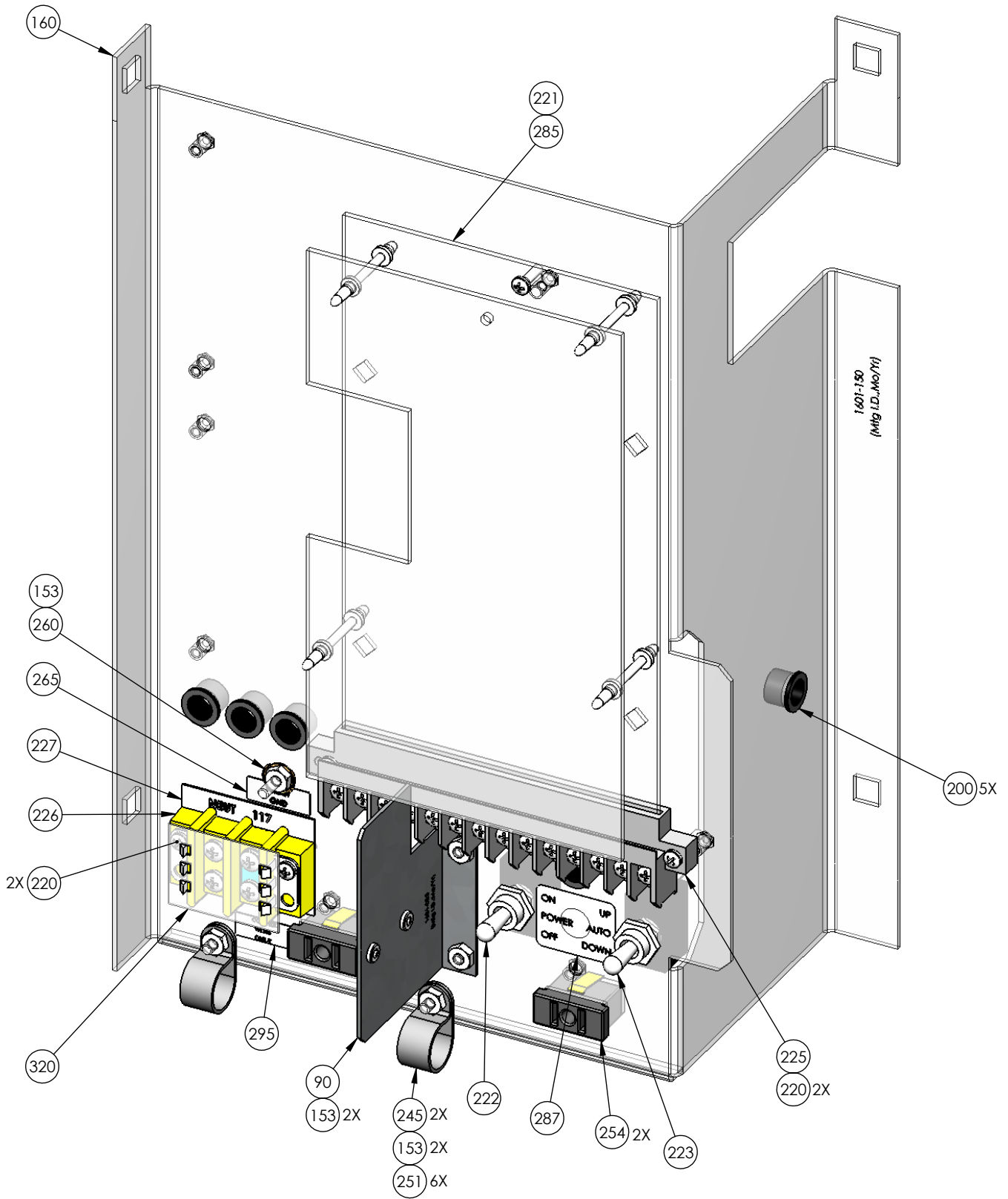
REVISIONS

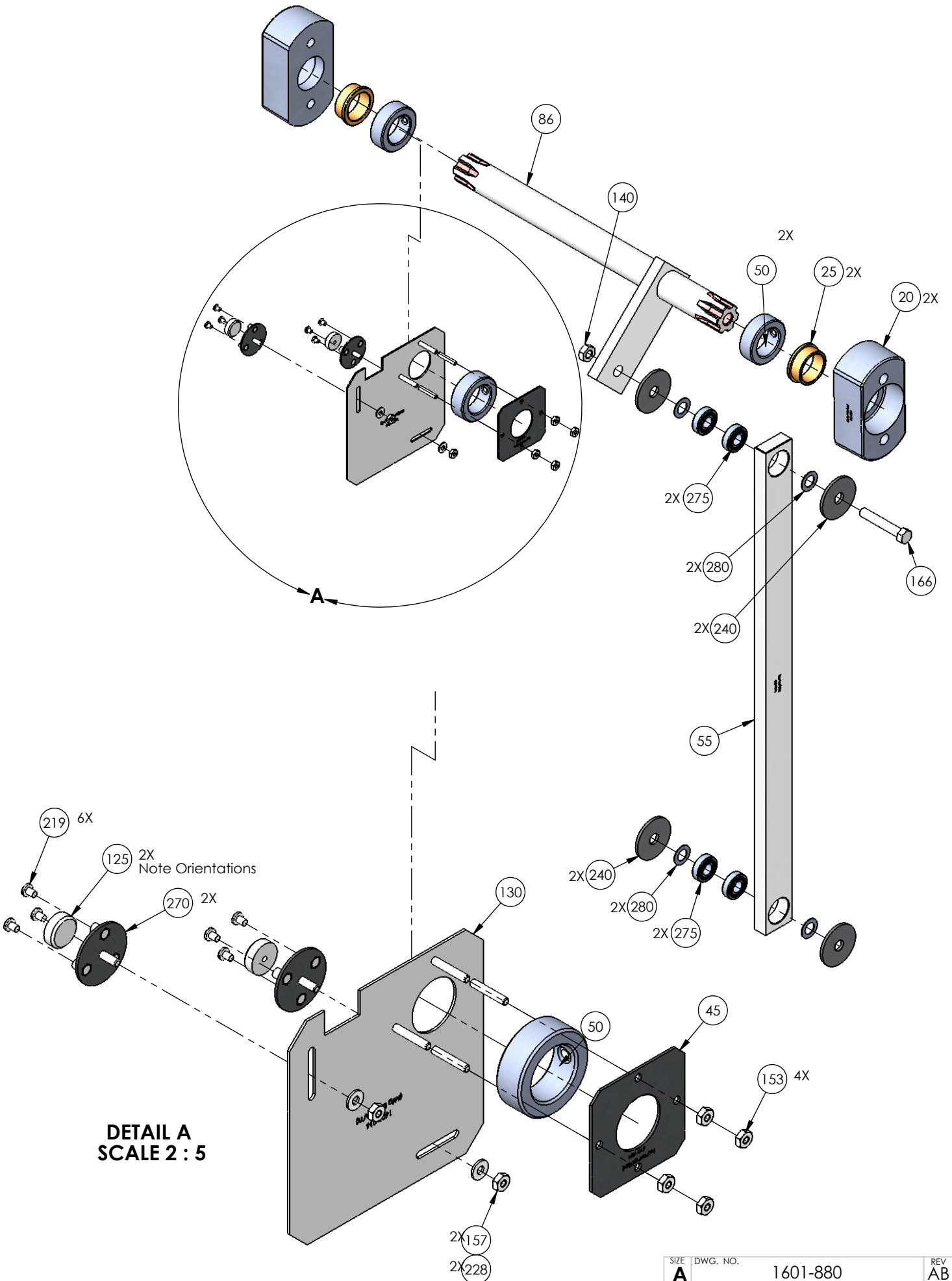
| EO | REV | DESCRIPTION | DATE | APPROVED |
|-----|-----|---|-----------------|------------------|
| 04 | AA | High Profile Gearbox & Mtg Plate Items 80 & 85 Was: 1601-115 & 1601-023 Low Profile. Added Wiring Diagram Sh 4. | Sal 11/14/06 | D.C. 11/14/06 |
| --- | AB | Deleted Wiring Diagram. BOM Items 222 & 223 Was: 223 & 222. | Sal 09/09/08 | D.C. 09/09/08 |



2. Items 250, 251, & 290 Not Shown for Clarity.
 1. See attached reference sheet for BOM;
 Reference Movex 1601-080 Rev AB.
 Notes: Unless Otherwise Specified.

| | | | | | |
|--|-----------|------|---|--------------|----|
| <p>PROPRIETARY AND CONFIDENTIAL</p> <p>THE INFORMATION CONTAINED IN THIS DRAWING IS THE SOLE PROPERTY OF DOOR KING. ANY REPRODUCTION IN PART OR AS A WHOLE WITHOUT THE WRITTEN PERMISSION OF DOOR KING IS PROHIBITED.</p> | NAME | DATE |  IPB-Model 1601-080, 115V Parking Gate Operator | REV | |
| | DRAWN | Sal | | 09/21/06 | AB |
| | CHECKED | | | | |
| | COMMENTS: | | | | |
| SIZE | DWG. NO. | | 1601-880 | | |
| A | | | | | |
| Scale: None | | | | SHEET 1 OF 5 | |





DETAIL A
SCALE 2 : 5

IPB 1601-880 Rev AB
 (Model and Movex No. 1601-080 Rev AB)

| Item | Part Number | QTY | UM | Description | List |
|------|-------------|-----|----|---|------|
| 1 | 1601-880 | 1 | EA | Model 1601-080, 115V Parking Gate Operator AB | |
| 20 | 1601-139 | 2 | EA | Bearing Blk Die Cast 1601 | |
| 25 | 1601-032 | 2 | EA | Bearing 1 1/2OD x11/4ID x 5/8L | |
| 27 | 1601-026 | 1 | EA | Belt 26" | |
| 45 | 1601-017 | 1 | EA | Collar "Sandwich" Plate | |
| 50 | 2600-061 | 3 | EA | Collar 2"OD x 1 1/4"ID x 5/8"L | |
| 55 | 1601-029 | 1 | EA | Connecting Link | |
| 75 | 1601-075 | 1 | EA | Door | |
| 80 | 1601-215 | 1 | EA | Mount Plate Gearbox A | |
| 85 | 1601-027 | 1 | EA | Gearbox 1601 A | |
| 86 | 1601-222 | 1 | EA | Shaft Assembly 1601 Splined | |
| 90 | 1601-055 | 1 | EA | Divider - High/Low Voltage | |
| 95 | 1601-100 | 1 | EA | Housing | |
| 100 | 4001-018 | 6 | FT | Weather Stripping (50' rolls) | |
| 105 | 4001-035 | 1 | EA | Lock N16058BDxSFx2K Key 16120 | |
| 107 | 1702-503 | 1 | EA | Cam 1.1/4 | |
| 115 | 2620-047 | 16 | EA | Lockwasher 3/8" | |
| 125 | 2600-817 | 2 | EA | Magnet | |
| 130 | 1601-016 | 1 | EA | Mount Plate Magnet | |
| 135 | 1601-074 | 1 | EA | Motor 1/2 H.P. Emerson | |
| 140 | 2620-440 | 2 | EA | Nut Hex 1/2-13 GR8 | |
| 150 | 2620-411 | 8 | EA | Nut Hex Flange Lock 5/16-18 | |
| 151 | 2620-405 | 18 | EA | Nut Hex 3/8-16 | |
| 152 | 2902-006 | 10 | EA | Nut Nylon 10-32 | |
| 153 | 2902-004 | 9 | EA | Nut Nylon Lock 8-32 | |
| 157 | 2620-401 | 2 | EA | Nut Hex 8-32 | |
| 159 | 1601-152 | 1 | EA | Mount Plate - PC Board Top | |
| 160 | 1601-150 | 1 | EA | Mount Plate - PC Board Bottom | |
| 161 | 2615-673 | 4 | EA | Bolt Carr SS 3/8-16 x 2 1/4 Painted | |
| 164 | 2615-669 | 4 | EA | Bolt Carriage SS 3/8-16 x 11/4 Painted | |
| 166 | 2615-184 | 2 | EA | Bolt Hex Head 1/2-13 x 2 1/4 GR8 | |
| 180 | 2615-645 | 10 | EA | Bolt Carr SS 10-32 x 5/8 Painted | |
| 181 | 2615-667 | 6 | EA | Bolt Carr SS 3/8-16 x 3/4 Painted | |
| 182 | 2615-662 | 8 | EA | Bolt Carr SS 5/16-18 x 5/8 Painted | |
| 183 | 2615-674 | 4 | EA | Bolt Carriage 3/8-16 x 1 3/4 Painted | |
| 200 | 2600-820 | 5 | EA | Bushing 1/2 | |
| 207 | 1601-018 | 1 | EA | Pulley 4" OD 5/8" Bore | |
| 208 | 1601-033 | 1 | EA | Pulley 2"ODx5/8 | |
| 209 | 2600-882 | 2 | EA | Hole Plug Plastic 2.25" Hole | |
| 219 | 2616-006 | 6 | EA | Screw Phillip Head 6-32 x 3/16 | |
| 220 | 2616-003 | 4 | EA | Screw Phillips Head 6-32 x 3/4 | |
| 221 | 2616-002 | 1 | EA | Screw Phillips Head 6-32 x 1/2 | |
| 222 | 1601-041 | 1 | EA | Switch Toggle SPST 2POS | |
| 223 | 1601-040 | 1 | EA | Switch Toggle ON-OFF-ON MOMEN | |
| 225 | 1601-007 | 1 | EA | Terminal 14 Pin | |
| 226 | 2600-414 | 1 | EA | Terminal Block-2 Position | |
| 227 | 2600-410 | 1 | EA | Marker Strip Silkscn Both Side | |

| | | | | |
|-----|----------|---|----|----------------------------------|
| 228 | 2802-003 | 2 | EA | Washer #8 SAE |
| 230 | 2620-029 | 6 | EA | 3/8 USS Flat Washer |
| 231 | 2620-019 | 4 | EA | 3/8 SAE Flat Washer |
| 240 | 2620-131 | 4 | EA | Washer 1 7/8"OD x 1/2"ID 1/8 Thk |
| 245 | 2600-619 | 2 | EA | Wire Clp-5/8" Concord 770-1209 |
| 250 | 1601-008 | 1 | EA | Wire Set 1601/1602 |
| 251 | 1804-031 | 6 | EA | Tie Wrap 4" |
| 252 | 2600-639 | 4 | EA | Wire Clamp-1" |
| 253 | 2600-749 | 2 | EA | Wire Connector STA-KON RC6 |
| 254 | 1200-028 | 2 | EA | Outlet Snap-In Leviton 1306 |
| 255 | 2599-008 | 1 | EA | Label Patent |
| 260 | 2600-439 | 1 | EA | Washer Cup - Brass |
| 265 | 2599-006 | 1 | EA | Decal SUPPLY GND |
| 270 | 1601-044 | 2 | EA | Holder - Magnet |
| 275 | 1601-060 | 4 | EA | Bearing-Sealed 1/2ID x 1 1/8OD |
| 280 | 1601-185 | 4 | EA | Washer Race .515"IDx.875"OD CH |
| 285 | 1601-010 | 1 | EA | PCB Parking Gate |
| 287 | 2599-012 | 1 | EA | Decal 1601 Switch |
| 288 | 2599-035 | 1 | EA | Decal-Warning, Parking Gate |
| 290 | 2560-010 | 1 | EA | Information Packet 1601 |
| 295 | 2599-014 | 1 | EA | Decal Copper Wire Only |
| 300 | 2599-199 | 1 | EA | Label Universal |
| 310 | 2600-732 | 1 | EA | Nameplate Plastic DKS |
| 315 | 2802-040 | 2 | EA | Washer Push on Clamp |
| 320 | 3129-002 | 1 | EA | Terminal Block Cover 2 Position |