

# LED TRAFFIC LIGHT AND MOUNTING KIT

**1603-221**  
6 Ft Cable/No Post

**1603-222**  
6 Ft Cable/35" Post

**1603-223**  
11 Ft Cable/95" Post

These kits are designed for the 1600 model barrier gate operators. Recommended for the 1603 auto spike system. The traffic signal is synchronized with the gate operator's up/down cycle. The red LED light stays on and only changes to the green LED when the operator's arm is fully raised.

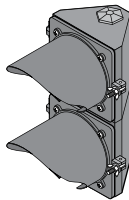
**Kits Include:**



12 VDC Transformer



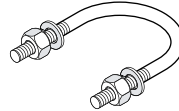
6 or 11 Ft Cable



Traffic Light Assembly

**Support Post Hardware:**

Kit P/Ns 1603-222 & 1603-223



U-Bolt Clamp with lockwashers and nuts (2 sets)



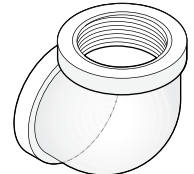
3/4" Conduit Nipple and Conduit Nut



5/8" Cover Bracket bolt and lockwasher (2 sets)



2" Conduit Nut (3)



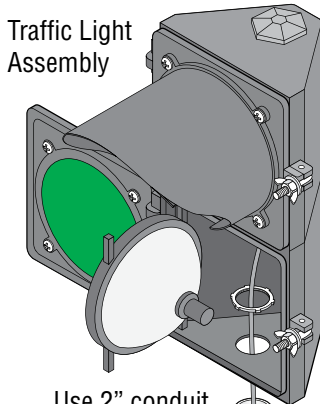
2" Threaded Elbow

## Installation

**!** Shut off AC power to operator.  
Turn off DC power switch on certain models.

### 1 Assemble Support Post

### 2 Mount Support Post Assembly to Operator



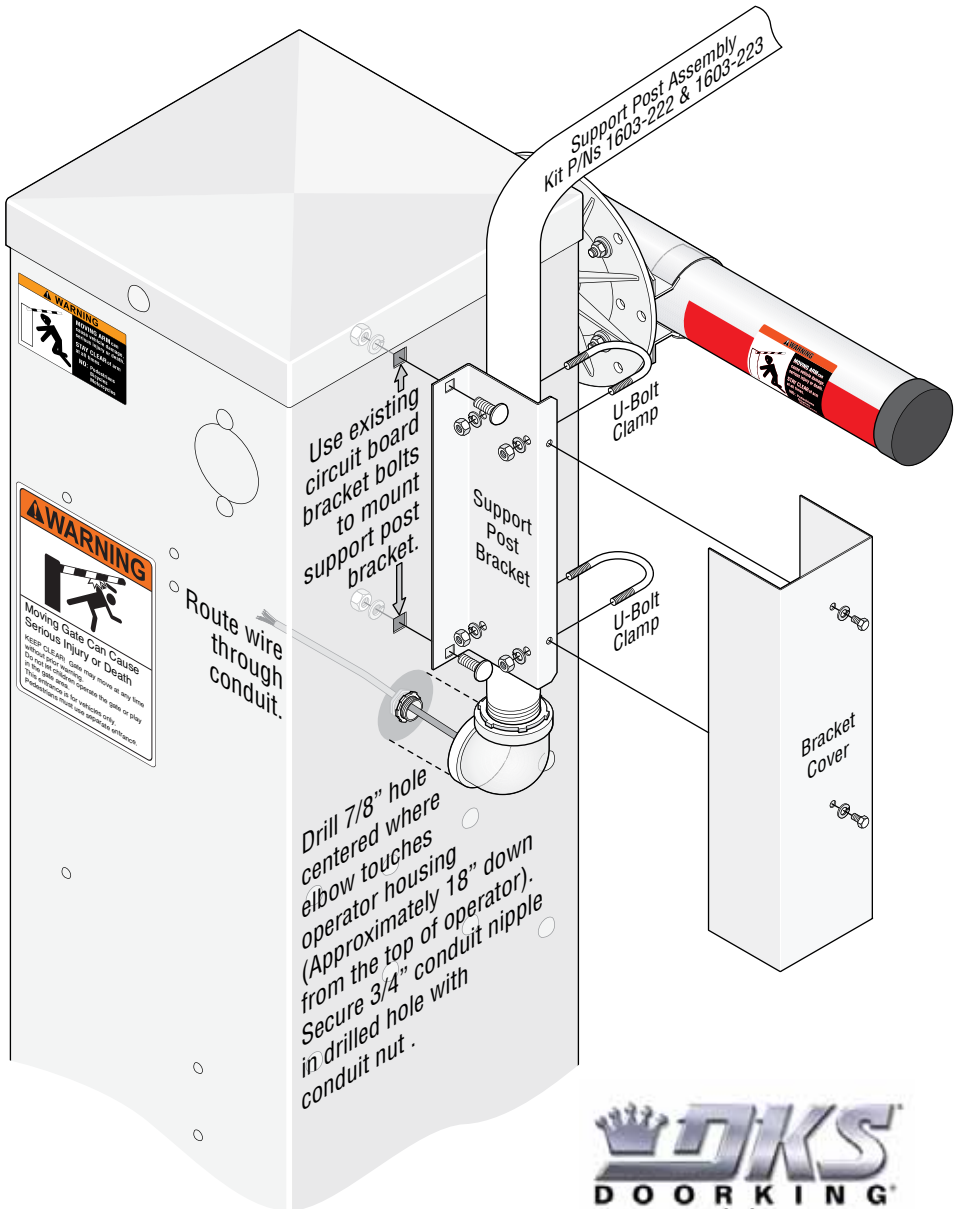
Use 2" conduit nuts to secure traffic light assembly to support post.

Support Post (35" or 95")

Route wire through support post on kits 1603-222 and 1603-223.

2" conduit nut to secure elbow.

2" Elbow



Use existing circuit board to mount support post bracket.

Route wire through conduit.

Drill 7/8" hole centered where elbow touches operator housing (Approximately 18" down from the top of operator). Secure 3/4" conduit nipple in drilled hole with conduit nut.

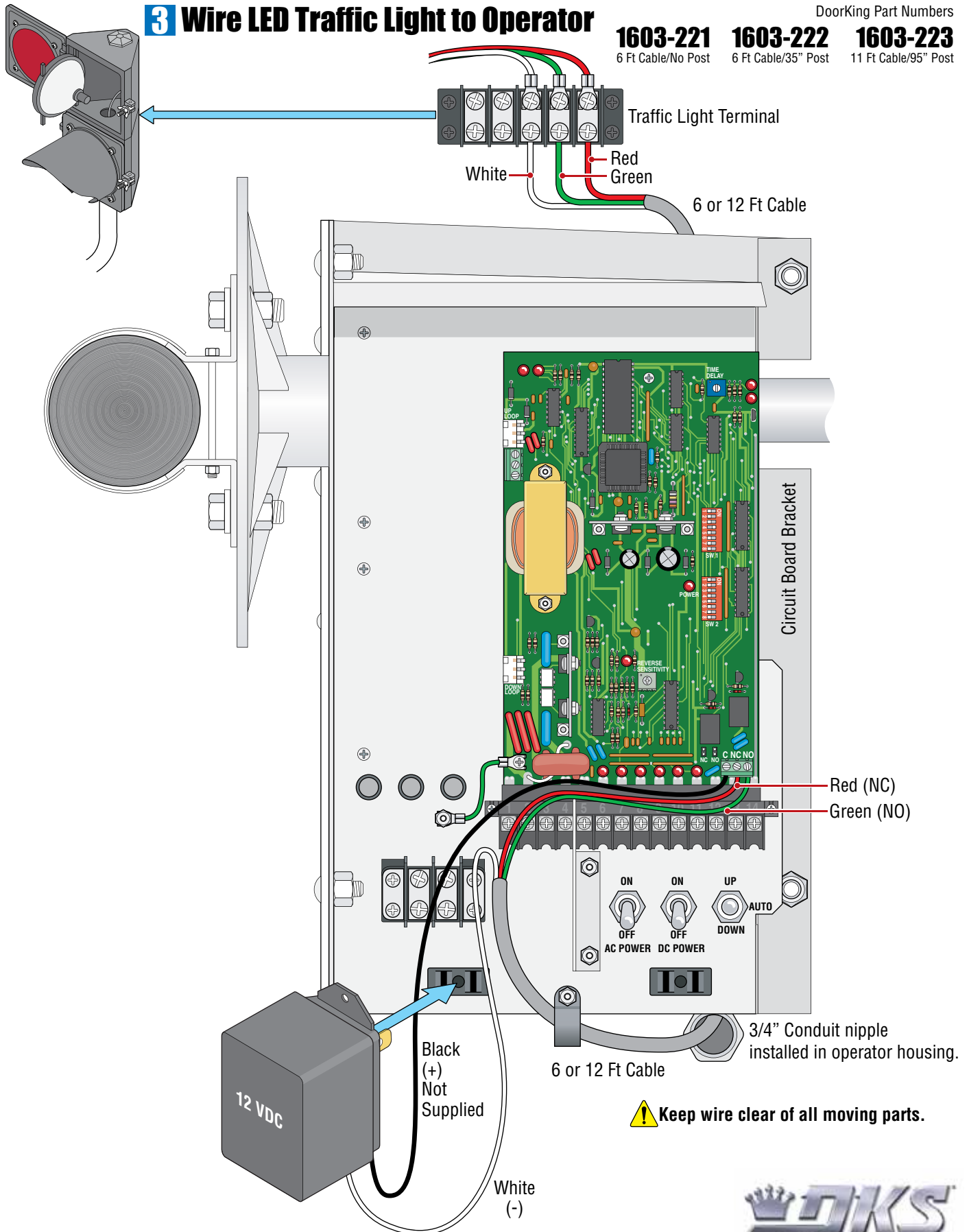
### 3 Wire LED Traffic Light to Operator

DoorKing Part Numbers

**1603-221**  
6 Ft Cable/No Post

**1603-222**  
6 Ft Cable/35" Post

**1603-223**  
11 Ft Cable/95" Post



**⚠ Keep wire clear of all moving parts.**

