

# PEDESTALS

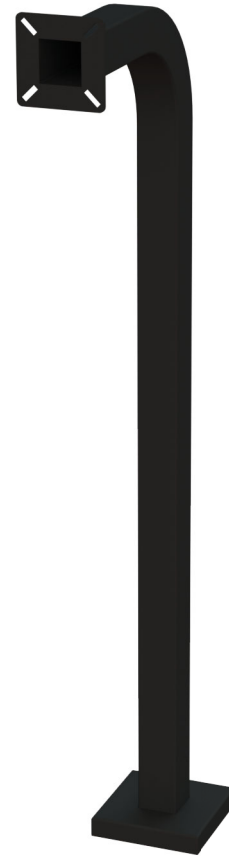


18 SERIES

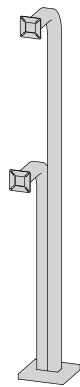
GOOSENECK PEDESTALS FOR ACCESS CONTROL SYSTEMS

## FEATURES

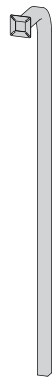
- 14-gauge 2-inch square steel-tube construction
- Durable black powder-coated finish
- Auto, truck, and dual-height models
- Pad-mount and direct-burial versions
- 12-inch gooseneck reach



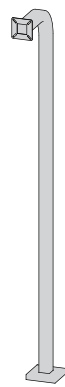
18-001



18-003



18-011



18-012

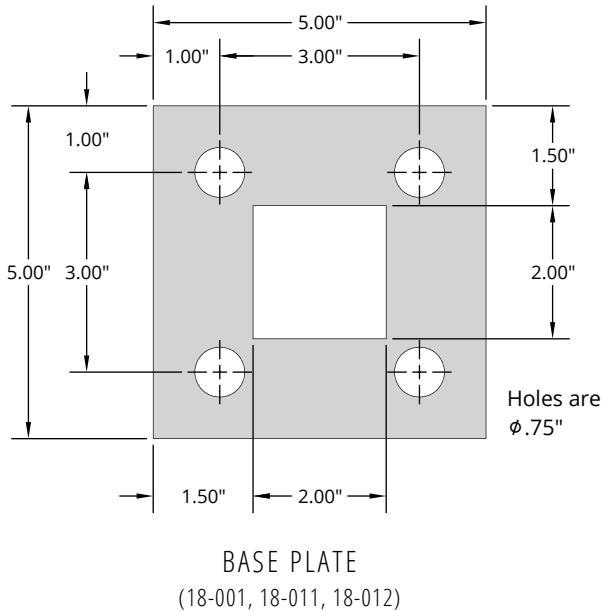
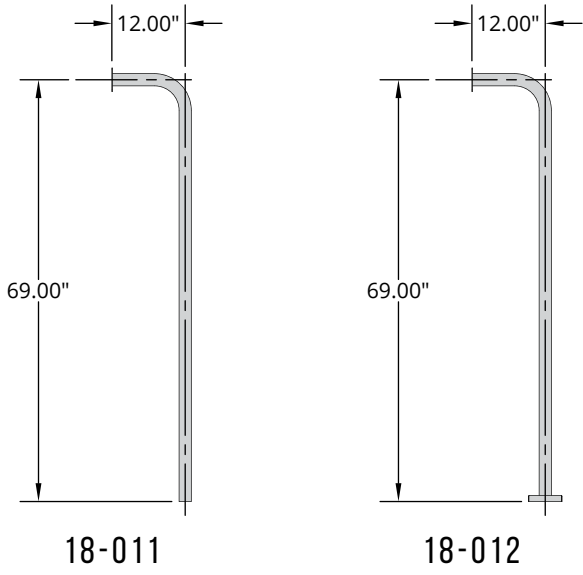
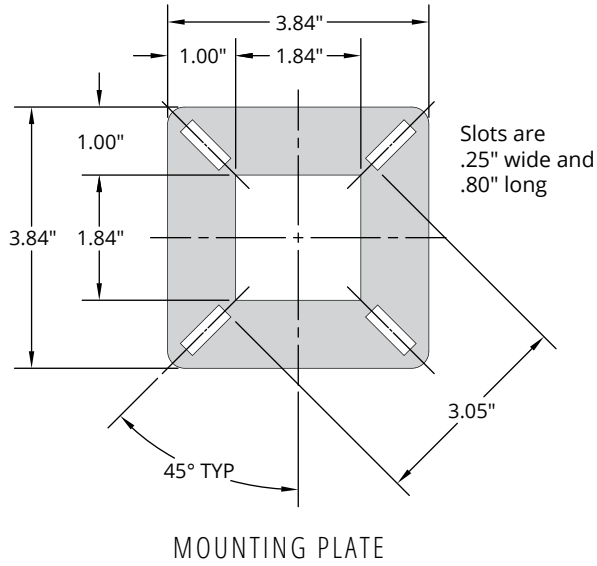
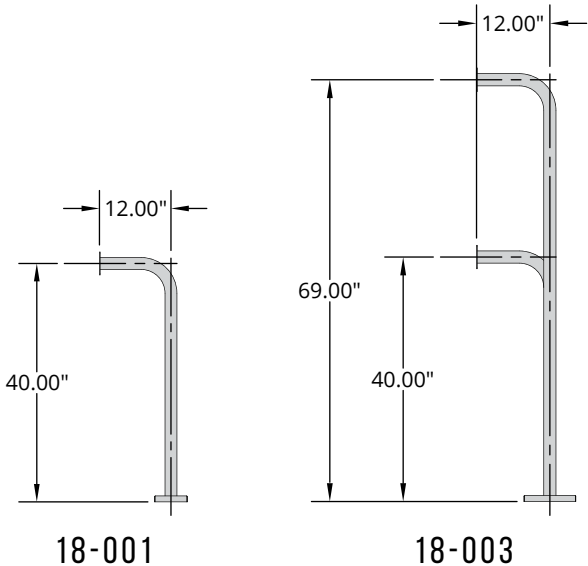
## JUST THE RIGHT FIT

Whether you're mounting on concrete or in the ground or will be catering to cars, trucks, or both, we have just the right fit for you.

## STURDY AND DURABLE

Made from 14-gauge 2-inch square steel tubing and powder coated, these pedestals will stand up to the elements for many years.





**AVAILABLE MODELS**

Additional information and dimensional drawings can be found at [securitybrandsinc.com/resources/](http://securitybrandsinc.com/resources/)

MODEL	DESCRIPTION	MOUNT HEIGHT	SHIP. WEIGHT
18-001	pad mount, auto height	40"	15 lbs.
18-003	pad mount, dual height	40", 69"	34 lbs.
18-011	direct burial, auto height	69"	17 lbs.
18-012	pad mount, truck height	40"	21 lbs.

For more information, visit us online:  
[securitybrandsinc.com](http://securitybrandsinc.com)

