



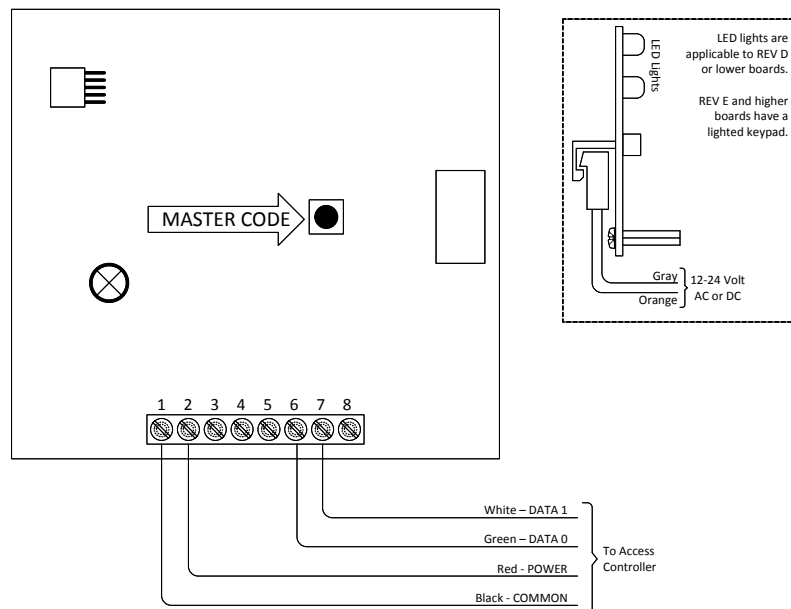
## Wiegand Keypad Installation and Programming

These instructions apply to the following DoorKing Digital Keypads: 1815-050, 1815-051, 1815-052, 1815-059, 1838-120, 1504-120. **When used to control entry through an automated vehicular gate system, the keypad must be mounted a minimum of 10-feet away from the gate and gate operator, or mounted in such a way that the person using the keypad cannot come into contact with the gate or gate operator.**

These keypads output their data in a 26-bit wiegand format and must be connected to an access controller such as the DKS models 1833, 1835, 1837 or 1838.

### WIRING

Term 1	Input power 12-24 volt AC or DC NEGATIVE / WIEGAND COMMON (BLACK)
Term 2	Input power 12-24 volt AC or DC POSITIVE (RED)
Term 3	Earth Ground
Term 4	Wiegand COMMON
Term 5	Not Used
Term 6	Wiegand DATA 0 (GREEN)
Term 7	Wiegand DATA 1 (WHITE)
Term 8	Not Used



## **PROGRAMMING**

### **MASTER CODE**

1. Press the master code button on the circuit board once.
2. Enter a four-digit code \_\_\_\_ then press \* (beep).

### **FACILITY CODE**

1. Press \* 4 and the four-digit master code \_\_\_\_ (beep).
2. Enter a three-digit facility code \_\_\_ (000-255) then press \* (beep).
3. Press 0 # together to end the programming (beeeeeep).
4. NOTE: If facility codes are not used, skip this step.

### **ENTRY CODE BOUNDARIES**

Entry codes between the boundary limits will weigand out to the controller. Entry codes outside the boundary limits will not weigand out. Set the boundary limits so that the entry codes do not duplicate any card or transmitter codes that are programmed into the controller. For example, if transmitter codes 01000 through 02000, and card codes 06000 through 07000 are already being used and programmed into the access controller, you could set the lower boundary to 03000 and the upper boundary to 05000. This prevents a five-digit entry code from accidentally duplicating a card or transmitter code.

### **FIVE DIGIT BOUNDARIES**

1. Press \* 5 and enter the four-digit master code \_\_\_\_ (beep).
2. Enter a five-digit lower boundary \_\_\_\_\_ then press \* (beep).
3. Enter a five-digit upper boundary \_\_\_\_\_ then press \* (beep).  
(To remove five-digit boundaries, enter 0 0 0 0 0 in step 2, and 65405 in step 3.)
4. Press 0 # together to end the programming (beeeeeep).

### **FOUR DIGIT ENTRY CODE (USING THE # KEY) BOUNDARIES**

*(This programming sequence does not apply to the 1815-059 keypad)*

This programming sequence allows a 5-digit weigand code to mimic 4-digit entry codes programmed into the telephone entry system. For example, to open the gate from the telephone entry system keypad, the tenant presses “#-1-2-3-4” (or whatever the 4-digit code is). Using this feature, the tenant would still enter “#-1-2-3-4” on the weigand keypad to open the gate. The # automatically defaults to “0”, so if “#-1-2-3-4” is entered on the keypad, the 5-digit code “0-1-2-3-4” is actually sent to the controller. The gate will open provided that the 5-digit weigand code “0-1-2-3-4” is programmed as a device code.

Use the programming sequence below to set the lower and upper boundary limits of the 4-digit entry codes that will open the gate. To allow ALL four-digit entry codes to be valid, enter 0 0 0 0 in step 2, and 9 9 9 9 in step 3. To disable the four-digit code feature, enter # # # # in step 2, and # # # # in step 3.

1. Press \* 8 and enter the four-digit master code \_\_\_\_ (beep).
2. Enter a four-digit lower boundary \_\_\_\_ then press \* (beep).
3. Enter a four-digit upper boundary \_\_\_\_ then press \* (beep).
4. Press 0 # together to end the programming (beeeeeep).

### **ANDRIOD SMARTPHONE APPS – Free download at Google Play Store**

*(Can be used with the 1815-059 keypad only)*

**DKS Digital Lock Manager App** – allows all programming functions (except Master Code) to be done from your Android smartphone.

**DKS Smart Open App** – allows users to use their Android smartphone to activate the digital lock.