

CHAIN TRAY KIT FOR A SLIDE GATE

DoorKing Part Number

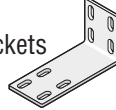
2601-270

Works with all DoorKing slide gate operators (Typically for operators that are post or pedestal mounted) and by connecting multiple 10 ft sections together (Sold separately), will fit any length gate. The chain tray is typically used for gates longer than 20 feet in length. The chain tray helps support the weight of the chain (up to #100 chain link size) and reduce the chain stretching that occurs over time.

Kit Includes: 1 - 10 ft chain tray section

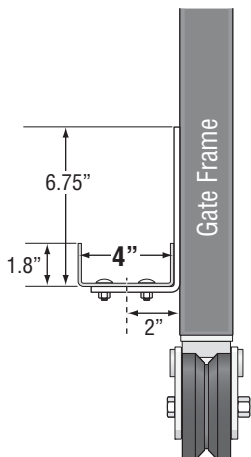
3 - support brackets

6 - carriage bolts and nuts

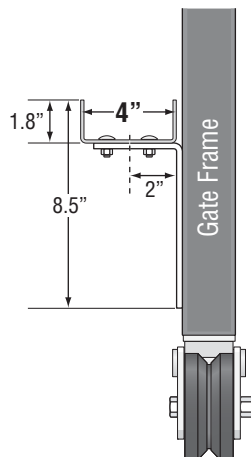


Installation

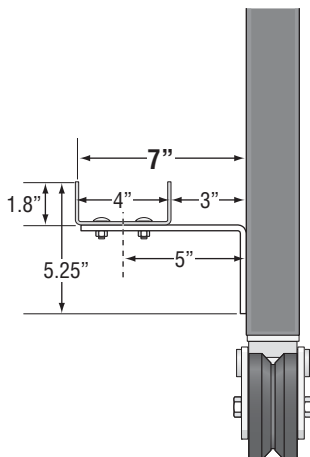
A chain's normal sagging distance should be at least one (1) inch per 10 feet of gate. Mount the chain tray higher than the chain's normal sagging distance. The support brackets should be welded to the gate.



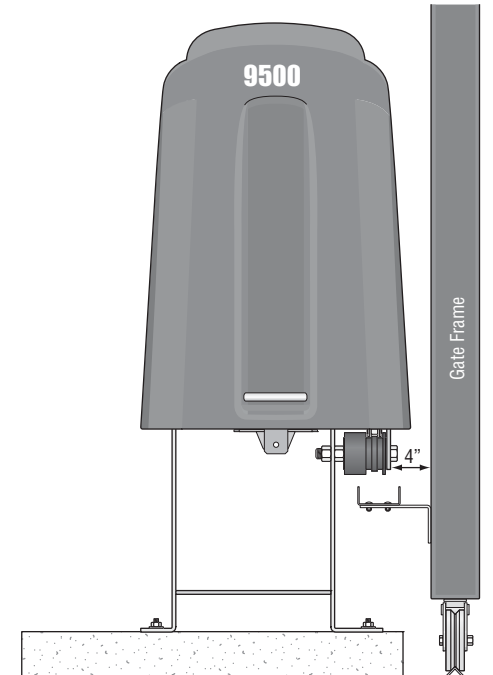
Support Bracket Facing Up
(Lower chain position)



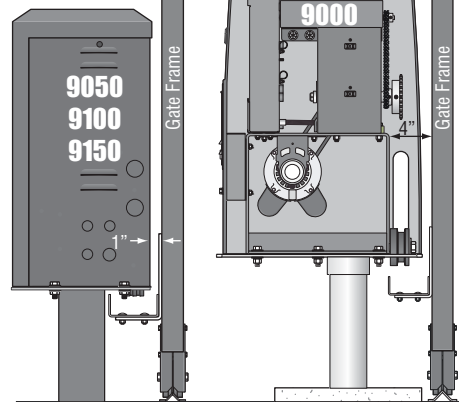
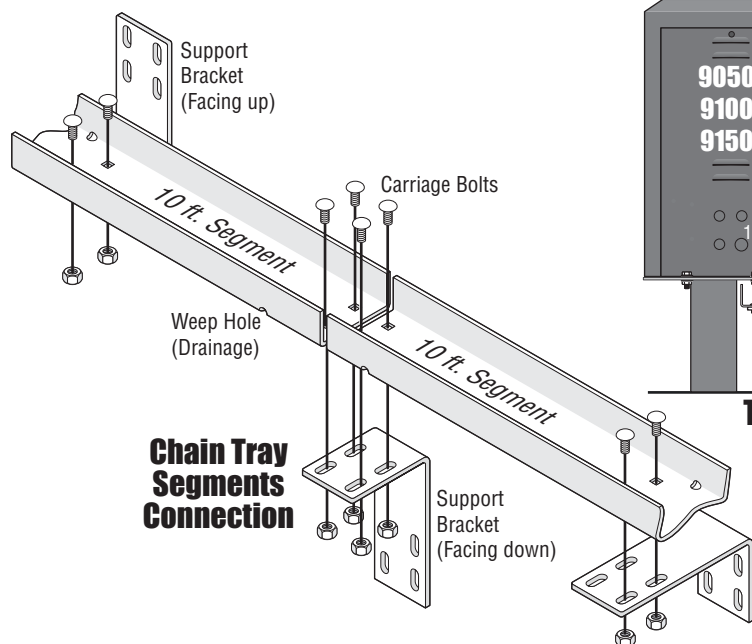
Support Bracket Facing Down
(Higher chain position)



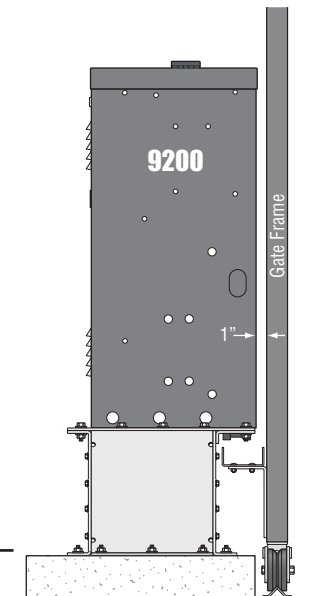
Support Bracket Extended



Extended Mount



Typical Post Mount



Pedestal Mount



120 Glasgow Avenue
Inglewood, California 90301 U.S.A.