

84 - 84EG

Positive stops for 400 - 400EG

Manual release the operator that the stop is going to be installed on and pull the piston rod out 4 to 6 inches. See the installation manual for detailed instructions on manual releasing your operator.

With the piston extended as told above place the 6mm lock washers on the 6mm bolts supplied in the hardware package. Align the holes of the bottom base plate with the 4 "towers" located on the front of the 400 operator. Insert all 4 bolts and tighten with a 10 mm wrench. (See Figure 2)

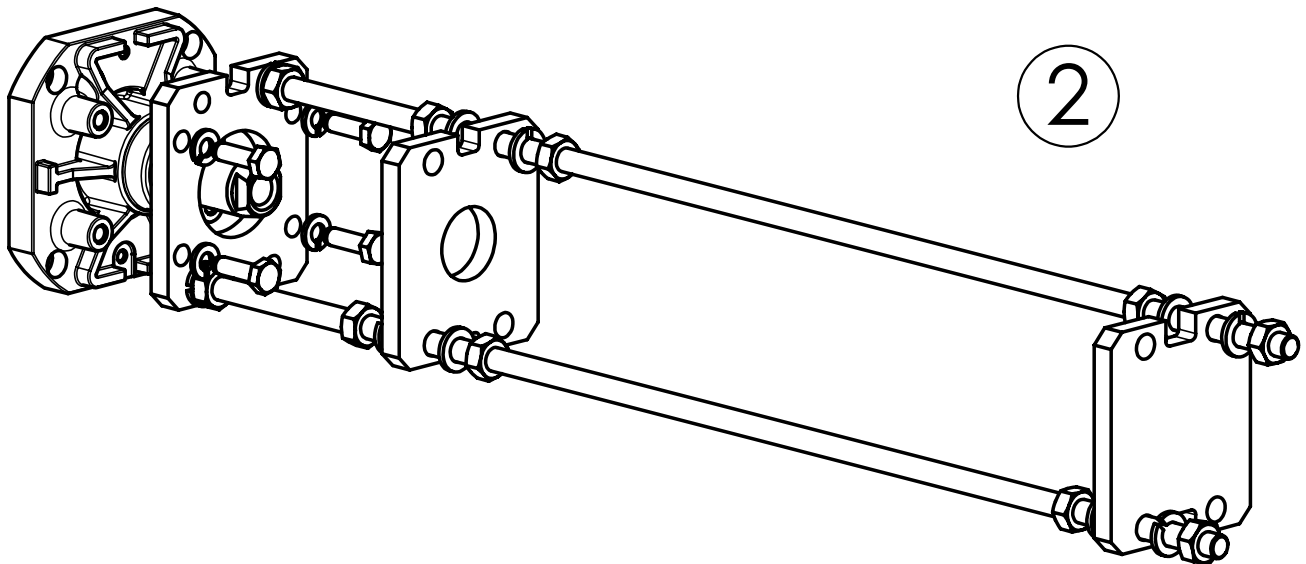
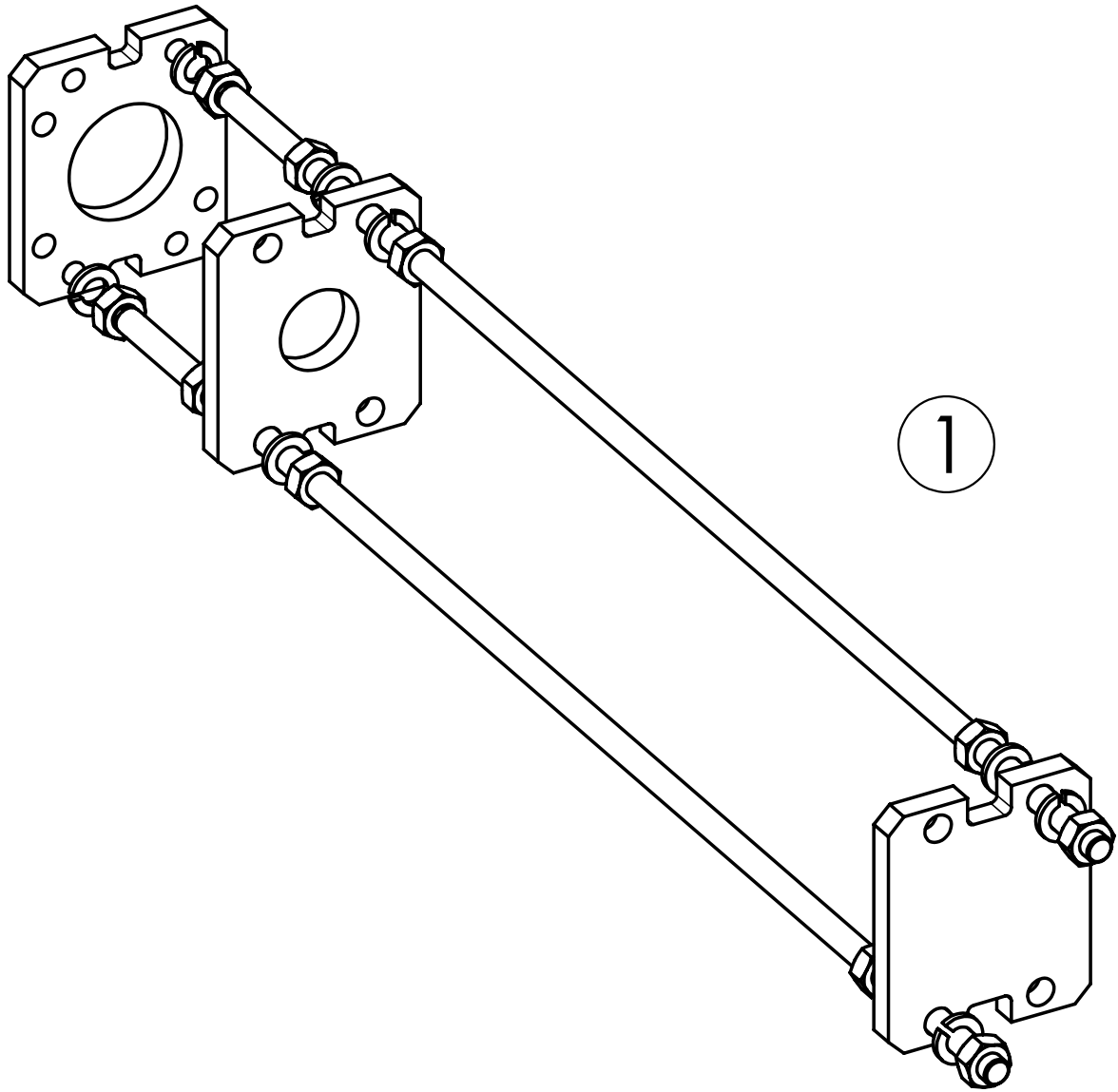
With the piston rod sticking through the bottom 2 plates, screw the square swivel joint (provided) and the jam nut into the threaded end of the piston rod. This plate and swivel joint are to insure a square stopping point for the closed position on an inward swing gate and square stopping point on an outwards swing gate. (See Figure 3)

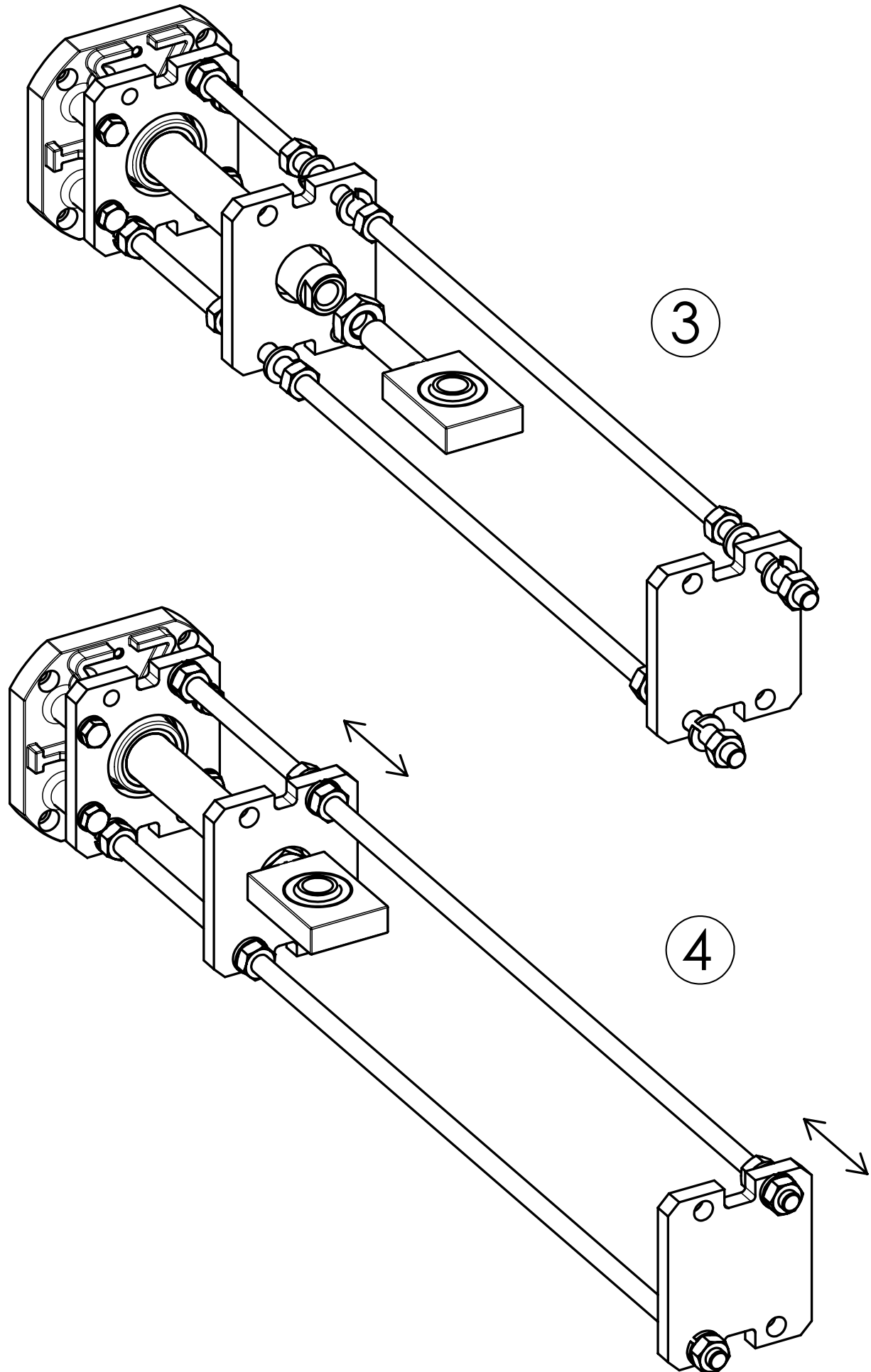
Continue to install the operator as instructed in it's installation manual. When the operator is securely in place then the stop can be adjusted.

Start by closing the gate all the way. Adjust the closed stop by loosening the jam bolts and sliding the plate in the direction needed to hit the square swivel joint and stop the gate. Once the stopping point had been established tighten the jam nuts securely with a couple of 13mm wrenches. Then move the gate all the way open and adjust the open stop by loosening the jam nuts and sliding the plate in the direction needed to hit the square swivel joint and stop the gate. Once the stopping point has been established tighten the jam bolts securely with a couple of 13mm wrenches. (See Figure 4)

Recheck that all nuts and bolts are tight and that the gates are stopping where desired.

The FAAC logo is centered at the bottom of the page, set against a dark grey semi-circular background. The letters 'FAAC' are in a bold, black, sans-serif font.





LIMITED WARRANTY

To the original purchaser only:

FAAC International, Inc., warrants, for twenty-four (24) months from the date of invoice, the gate operator systems and other related systems and equipment manufactured by FAAC S.p.A. and distributed by FAAC International, Inc., to be free from defects in material and workmanship under normal use and service for which it was intended provided it has been properly installed and operated.

FAAC International, Inc.'s obligations under this warranty shall be limited to the repair or exchange of any part of parts manufactured by FAAC S.p.A. and distributed by FAAC International, Inc. Defective products must be returned to FAAC International, Inc., freight prepaid by purchaser, within the warranty period. Items returned will be repaired or replaced, at FAAC International, Inc.'s option, upon an examination of the product by FAAC International, Inc., which discloses, to the satisfaction of FAAC International, Inc., that the item is defective. FAAC International, Inc. will return the warranted item freight prepaid. The products manufactured by FAAC S.p.A. and distributed by FAAC International, Inc., are not warranted to meet the specific requirements, if any, of safety codes of any particular state, municipality, or other jurisdiction, and neither FAAC S.p.A. or FAAC International, Inc., assume any risk or liability whatsoever resulting from the use thereof, whether used singly or in combination with other machines or apparatus.

Any products and parts not manufactured by FAAC S.p.A. and distributed by FAAC International, Inc., will carry only the warranty, if any, of the manufacturer. This warranty shall not apply to any products or parts thereof which have been repaired or altered, without FAAC International, Inc.'s written consent, outside of FAAC International, Inc.'s workshop, or altered in any way so as, in the judgment of FAAC International, Inc., to affect adversely the stability or reliability of the product(s) or has been subject to misuse, negligence, or accident, or has not been operated in accordance with FAAC International, Inc.'s or FAAC S.p.A.'s instructions or has been operated under conditions more severe than, or otherwise exceeding, those set forth in the specifications for such product(s). Neither FAAC S.p.A. nor FAAC International, Inc., shall be liable for any loss or damage whatsoever resulting, directly or indirectly, from the use or loss of use of the product(s). Without

limiting the foregoing, this exclusion from liability embraces a purchaser's expenses for downtime or for making up downtime, damages for which the purchaser may be liable to other persons, damages to property, and injury to or death of any persons.

FAAC S.p.A. or FAAC International, Inc., neither assumes nor authorizes any person to assume for them any other liability in connection with the sale or use of the products of FAAC S.p.A. or FAAC International, Inc. The warranty herein above set forth shall not be deemed to cover maintenance parts, including, but not limited to, hydraulic oil, filters, or the like. No agreement to replace or repair shall constitute an admission by FAAC S.p.A. or FAAC International, Inc., of any legal responsibility to effect such replacement, to make such repair, or otherwise. This limited warranty extends only to wholesale customers who buy directly through FAAC International, Inc.'s normal distribution channels. FAAC International, Inc., does not warrant its products to end consumers.

Consumers must inquire from their selling dealer as to the nature and extent of that dealer's warranty, if any. This warranty is expressly in lieu of all other warranties expressed or implied including the warranties of merchantability and fitness for use. This warranty shall not apply to products or any part thereof which have been subject to accident, negligence, alteration, abuse, or misuse or if damage was due to improper installation or use of improper power source, or if damage was caused by fire, flood, lightning, electrical power surge, explosion, wind storm, hail, aircraft or vehicles, vandalism, riot or civil commotion, or acts of God.