



6004 COLUMN MOUNT SWING GATE 24 VOLT DC OPERATOR



Solar Powered Control Box



AC Powered Control Box

COLUMN MOUNTED LOW VOLTAGE WORRY-FREE

- Mounts directly on gate and gate-post – simplifying installation and eliminating the need for concrete pads
- Battery backup provides uninterrupted operation if primary (AC) power is lost
- Includes Photo-cell for entrapment prevention
- 115 VAC or 24 VDC Solar powered control box options
- 2-Year Limited Warranty

RESIDENTIAL



Solar Powered
panel and battery options available



Reliability
in a compact and simple to install design



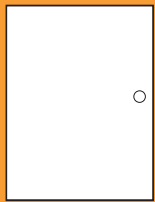
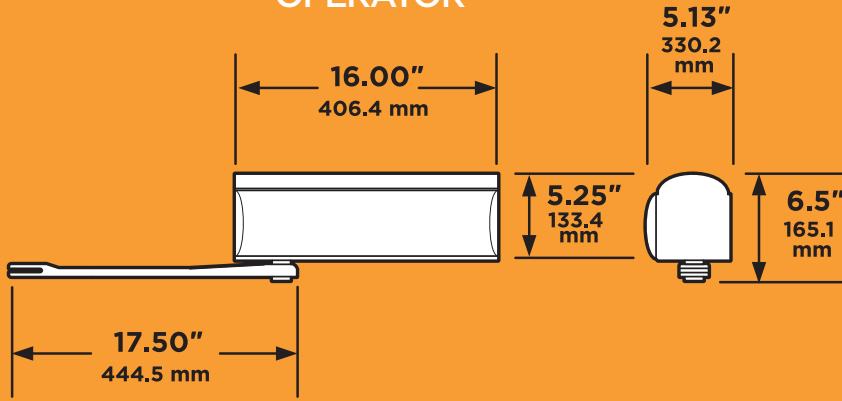
Soft Start/Soft Stop
provides smooth gate operation soft



Overlap Feature
for dual gates



6004 COLUMN MOUNT SWING GATE 24 VOLT DC OPERATOR



AC Standard Control Box

12.5" W x 16.5" H x 4.25" D
(318mm W x 419mm H x 108mm D)



AC Deluxe Control Box

14.5" W x 24" H x 4.25" D
(368mm W x 610mm H x 108mm D)



Solar Powered Control Box

13" W x 21" H x 8" D
(330mm W x 533mm H x 203mm D)

6004

	OPERATOR	AC POWERED CONTROL BOX(S)	SOLAR POWERED CONTROL BOX
CLASS OF OPERATION	I	-	-
MAX WEIGHT AND GATE LENGTH*	500 lbs. (227 kg) / 8 ft. (2.44 m)	-	-
MOTOR	Continuous Duty DC motor	-	-
BATTERIES	-	Two (2) 3.5 Ah included	Two (2) 18 Ah or 35 Ah
SOLAR PANEL	-	N / A	10 Watt (18 Ah batteries) 20 Watt (35 Ah batteries)
INPUT POWER	24 VDC	115 VAC	24 VDC

* Assumes gate to be in good condition and swinging in a level plane.

TECHNICAL FEATURES

MECHANICAL

Speed: 90° in approximately 18 seconds

Maximum Opening: 90°

Frame: aluminum / galvanized steel

Keyed release provided

Fail-secure mechanical

Control box enclosure rated NEMA 4x Protection Class IP54

ELECTRICAL

Adjustable built in limit switches precisely control the start / stop speed, and travel of gate for smooth operation

Built-in battery charger

Gate overlap feature for dual gate operation

Magnetic lock power circuit (115 VAC Control Box only)

Built-in reset and test buttons

Maximum run timer

Built-in high current warning

0.0 A SBPD Circuit (Pat Pend) (Solar Control Box only)

MISCELLANEOUS

Environmental: 32°F to 115°F (0°C to 46°C)*

* The temperature range shown is for optimal battery performance. While these systems will operate beyond these limits, exceeding the temperature range will reduce battery efficiency and may cause permanent battery damage.

Shipping Weights:

Actuator: Approx 20-25 Lbs. (9-11.3 kg)

Std Control Box: Approx 30 Lbs. (13.6 kg)

Deluxe Control Box: Approx 40 Lbs. (18.14 kg)

Solar Control Box w/18 Ah Batteries:

Approx 60 Lbs (27.22 kg)

Solar Control Box w/35 Ah batteries:

Approx 90 Lbs (40.82 kg)

Solar Control Box (No Batteries):

Approx 30 Lbs (13.6 kg)

Operator will not run without entrapment protection device(s) connected to the controller board



DoorKing® Inc.

Access Control Solutions since 1948



120 S. Glasgow Avenue,
Inglewood, California 90301 U.S.A.
Tel: 310-645-0023 FAX: 310-641-1586
www.doorking.com

© 2021 All Rights Reserved.
Product specifications may
change without notice. Rev. 3/21



MEMBER:



DISTRIBUTED BY:

