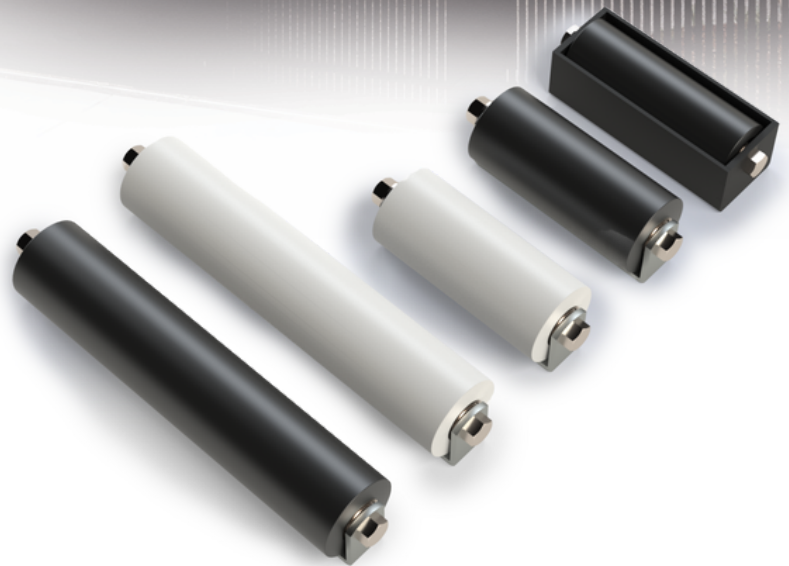




GUIDE ROLLERS

GATE OPERATOR HARDWARE & ACCESORIES

Our guide rollers are made of durable nylon and have self-lubricating, nonstick surfaces. They are suitable for any environment and come in sizes ranging from 3 to 12 inches, in black and white.



Parts & Drawing

Part Number Part Name

BLACK GUIDE ROLLERS WITH BEARINGS AND BRACKETS

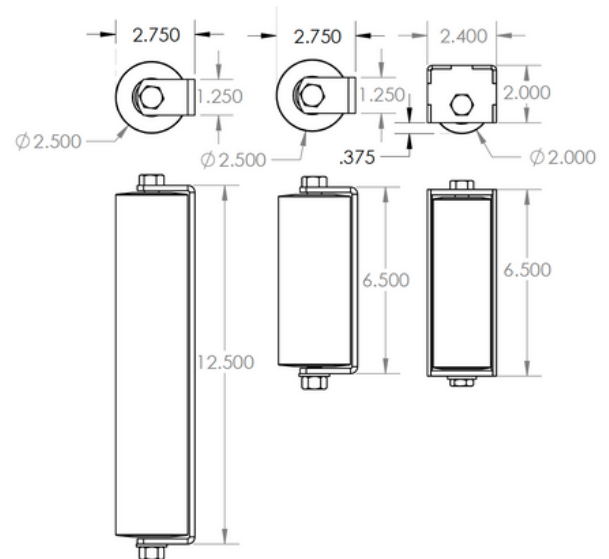
- GRB-3B-BR 3" BLACK GUIDE ROLLER
- GRB-6B-BR 6" BLACK GUIDE ROLLER
- GRB-12B-BR 12" BLACK GUIDE ROLLER

WHITE GUIDE ROLLERS WITH BEARINGS AND BRACKETS

- GRW-6B-BR 6" WHITE GUIDE ROLLER
- GRW-12B-BR 12" WHITE GUIDE ROLLER

COVERED GUIDE ROLLER

- GRB-UL6 6" COVERED GUIDE ROLLER (BLACK ONLY)



SLIDERS | SWINGERS | OVERHEADS

The standard by which all other automatic gate operators are measured.

818-787-1988



allomatic.net