



SCAN FOR  
PRODUCT  
INFORMATION



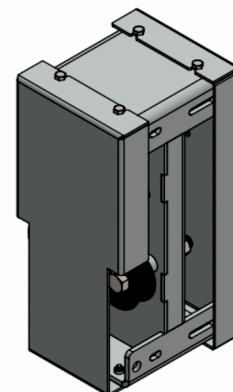
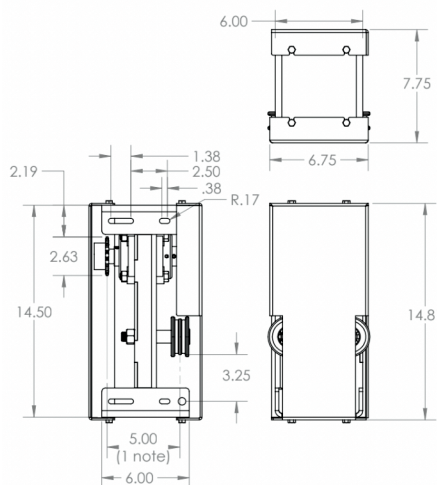
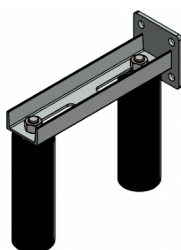
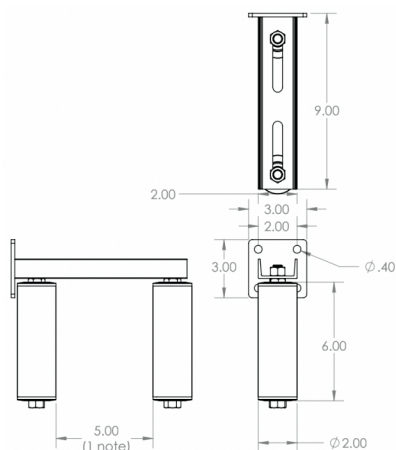
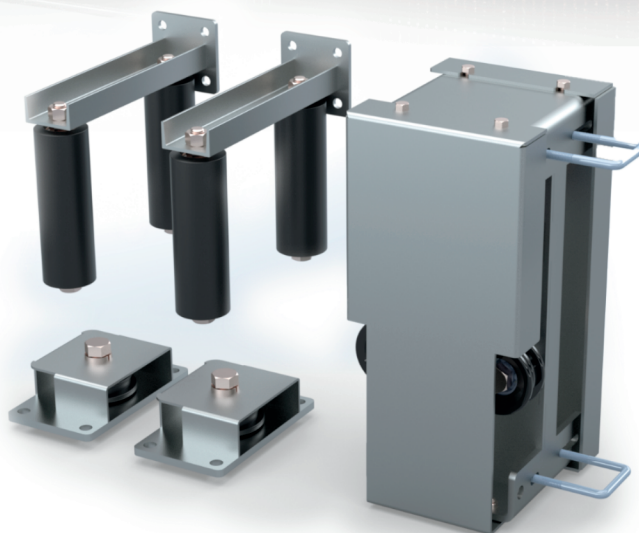
# TK-1000/TK-2000 TANDEM KITS

## GATE OPERATOR HARDWARE & ACCESORIES

All-O-Matic offers tandem gate kits for driveways with limited rear space. The **TK-1000** can operate (2) gate panels weighing up to 700 lbs. each. For heavier gates, the **TK-2000** kit uses 50NP chain and can operate (2) gate panels up to 1,000 lbs. each.

### Tandem Gate Kits include:

- (1) Tandem Gear Box with Covers
- (2) IK3 Idler Sprockets
- (2) Adjustable Dual Guide Rollers with Brackets
- (20) feet 41NP chain (TK-2000 includes 20 feet 50NP chain)
- (1) Chain Bracket
- (1) Chain Bolts



**SLIDERS** | **SWINGERS** | **OVERHEADS**

The standard by which all other automatic gate operators are measured.

818-787-1988



allomatic.net



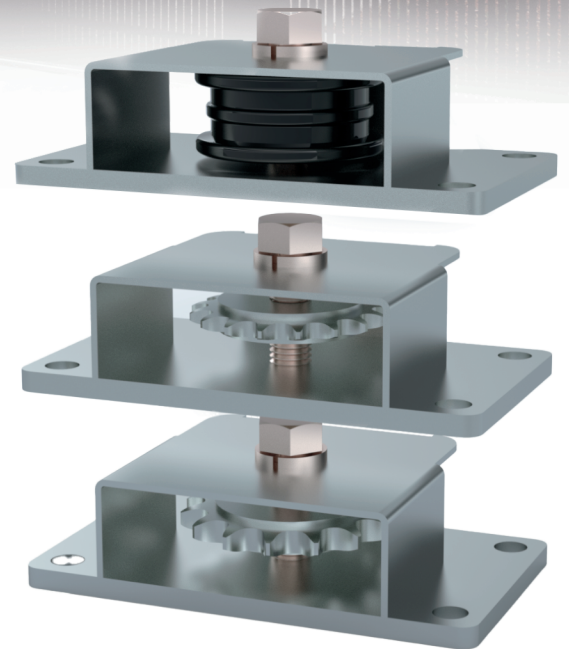
SCAN FOR  
PRODUCT  
INFORMATION



# IK-3 IDLER KITS

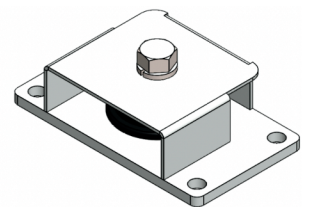
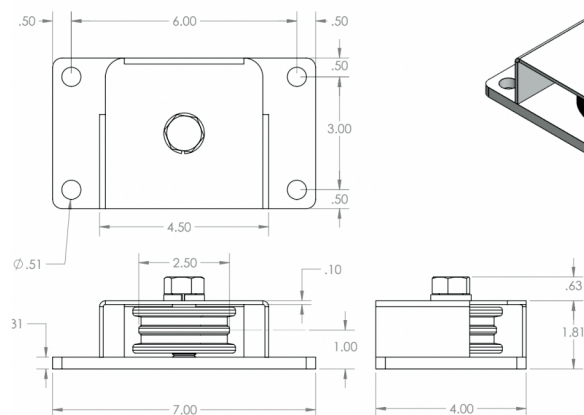
GATE OPERATOR HARDWARE & ACCESORIES

The IK-3 is an endless idler kit for center and rear mount slide gates. The kit comes with a 3" metal or plastic idler for size #41 and #40 chain. The IK3-50 idler kit is also available with a metal sprocket for #50 chain.



## Part & Drawings

Part Number	Chain Size:
IK-3 Plastic	Fits #40 and #41 chain
IK-3 Metal	Fits #40 and #41 chain
IK-3 50 Metal	Fits #50 chain



**SLIDERS | SWINGERS | OVERHEADS**  
The standard by which all other automatic gate operators are measured.

818-787-1988



allomatic.net