

SUB UL



RANGE

Underground hydraulic operator for swing gates

SUB UL

P930012 00007 - SUB R UL DX

P930012 00008 - SUB R UL SX

P930010 00002 - SUB G UL

DX = Motor on right hand side of driveway from inside the property.

SX = Motor on left hand side of driveway from inside the property.

A MODEL FOR EVERY NEED

- Two versions available, for 125° and 180° opening angles.

SAFE USE

- Anti-crushing protection guaranteed by two adjustable bypass valves.

SIMPLER INSTALLATION

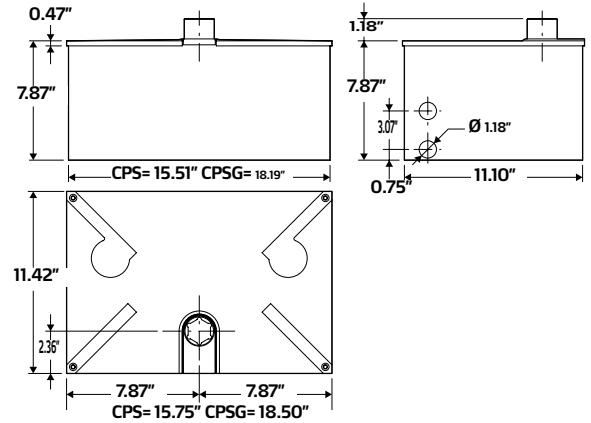
- Maintenance is carried out without any need to raise or disassemble the gate.
- The special foundation case makes it possible to remove the operator without taking off the gate leaf.

TECHNICAL FEATURES

	SUB R UL	SUB G UL
Control panels	RIGEL 6 UL	RIGEL 6 UL
Reversible/irreversible operator	irreversible	irreversible
Power supply	120 V 60 Hz single-phase	120 V 60 Hz single-phase
Absorbed power	0.33 hp (250W)	0.33 hp (250W)
Opening or closing time	14 s	33 s 180°
Impact reaction	hydraulic clutch	hydraulic clutch
Lock	hydraulic opening/closing	hydraulic opening/closing
Manual release	fast key release	fast key release
Operating cycle	intensive use	intensive use
Environmental conditions	from 14°F to + 140°F	from 14°F to + 140°F
Degree of protection	IP67	IP67
Operator weight	48lb	53lb
Degree of opening	125°	180°

SUB UL

DIMENSIONS



ACCESSORIES



N733066 00001 - CPS DX
Bearing foundation case for SUB operator (right hand). Maintenance can be carried out without disassembling the gate.



N733066 00002 - CPS SX
Bearing foundation case for SUB operator (left hand). Maintenance can be carried out without disassembling the gate.



N733092 - CPS G
Bearing foundation case for either left hand or right hand SUB G operator. Maintenance can be carried out without disassembling the gate.



P 111774 - RIGEL 6 HEATER



P111494: B EBA WIFI GATEWAY
For use with U Control App for open/ closing BFT gate systems with smart phone app or GPS. Wifi connection access at gate required.



D610256 - CLS/82
Release key for Sub.



113833 00001 - RIGEL 6 120V WITH CAPACITORS
Fuse value: transformer 2A T, logic 1A T.



N734786 RIGEL 6 UL
Board only



RIGEL 6 UL - LE
16" x 18" large fiberglass enclosure. Pre-wired with Rigel6 loop sockets. 120 V outlet



N733392
SCC Release for SUB for use with FCS Box only



N728002 - BSC
SUB sliding arm.



D730177 - PFS
Foundation plate for SUB and SUB G.



BFT-1200MLKIT - 1200 LB MAGLOCK KIT
Magnetic lock Kit including bracket, relay and power supply.



N73348000001 FCS BOX
For use with SCC above ground release key



RIGEL 6 UL - SE
10"x12" small fiberglass enclosure. Pre-wired with Rigel 6