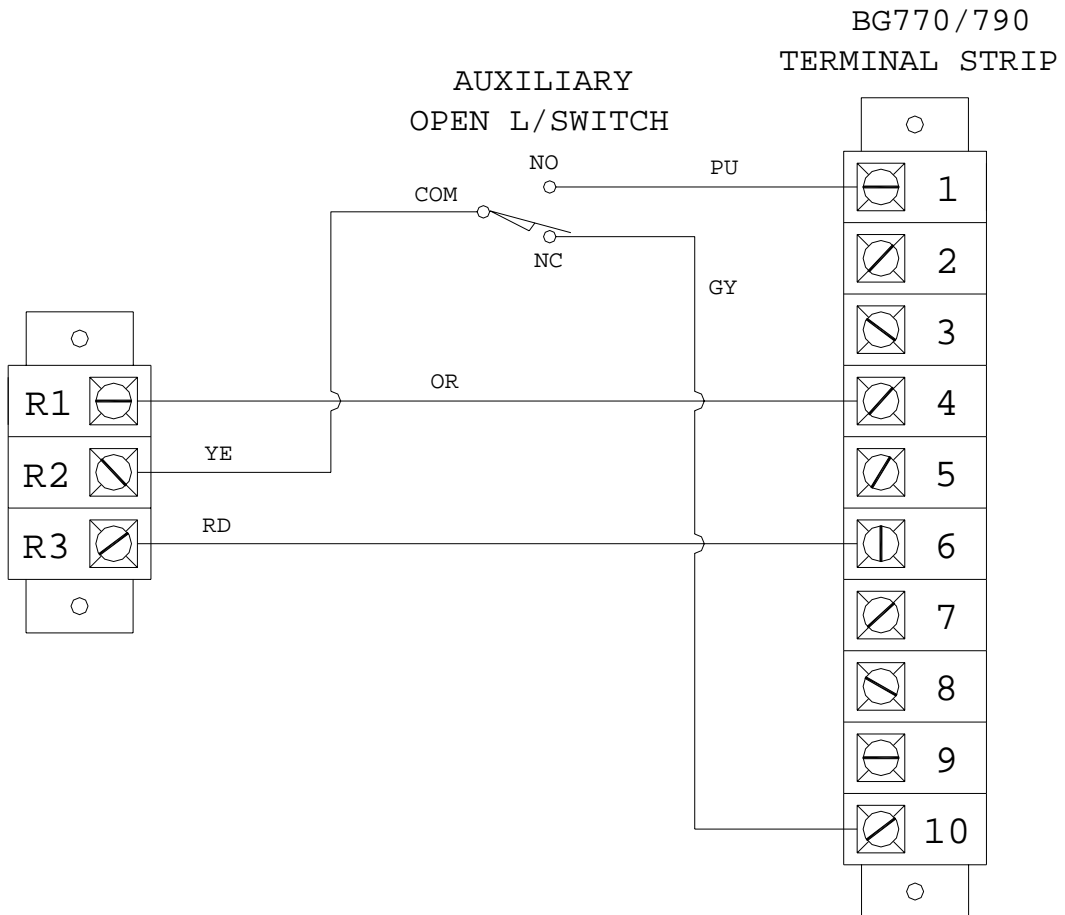


GATE OPERATOR WIRING DIAGRAM



SCHEMATIC DIAGRAM AND FIELD WIRING
FOR RADIO MODIFICATION
BG770/790 OPERATORS

The Chamberlain Group
845 Larch Avenue, Elmhurst, IL 60126

DRAWING NUMBER: 01-0612

DATE: 09/06/01

REVISION: A

ECN: 01-0442