

myQ® Business™

Connected Access Portal 2-Door Controller

INSTALLATION MANUAL

Model CAP2D



LiftMaster®

INTRODUCTION

i

- Safety 3
- Controller Overview 4
- Control Board Overview 4
- Carton Inventory 5
- Tools Needed 5
- Dimensions 5
- Specifications 6
- Electrical Ratings 6
- Wire Specifications 7

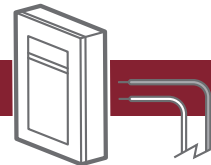
1 PRE-INSTALL

- Internet Service 8
- CP# for Controller 8
- Setup a myQ® Business™ Account 8
- Mount the Bracket 9



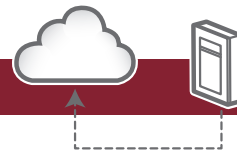
2 WIRING

- Connect Power 10



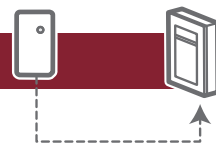
3 NETWORK

- Connect Internet 11



4 ACCESS CONTROL

- Admin Mode 12
- Wiring REX and Doors 12
- Operation 14
- Gate Access 15
- Door Access 16



5 INSTALL

- Install the CAP2D 17
- Troubleshooting 18
- Configuration Sheet** 18
- Legal Disclaimers** 19
- Warranty** 19



Safety

Safety Symbol and Signal Word Review

When you see these Safety Symbols and Signal Words on the following pages, they will alert you to the possibility of serious injury or death if you do not comply with the warnings that accompany them. The hazard may come from something mechanical or from electric shock. Read the warnings carefully.

When you see this Signal Word on the following pages, it will alert you to the possibility of damage to your property or product if you do not comply with the cautionary statements that accompany it. Read them carefully.

 **WARNING**

MECHANICAL

 **WARNING**

ELECTRICAL

 **CAUTION**

  **WARNING**

To reduce the risk of SEVERE INJURY or DEATH:

- Disconnect power at the fuse box BEFORE proceeding.
- To AVOID damaging gas, power or other underground utility lines, contact underground utility locating companies BEFORE digging.
- ALL electrical connections MUST be made by a qualified individual.
- ALL power and control wiring MUST be run in separate conduit.

To protect against fire and electrocution:

- Disconnect power BEFORE installing or servicing controller.
- NEVER connect a keypad/reader or lock to doors without first consulting the applicable fire code.
- You MUST consult with, and get approval from, local fire officials BEFORE installing locks or devices on ANY doors that may be fire exits.
- Use of egress push buttons may not be legal. Single action exits may be required.
- ALWAYS obtain proper permits and approvals in writing BEFORE installing equipment.

 **WARNING:** This product can expose you to chemicals including lead, which are known to the State of California to cause cancer or birth defects or other reproductive harm. For more information go to www.P65Warnings.ca.gov.

UNDERWRITERS LABORATORIES (UL) COMPLIANCE

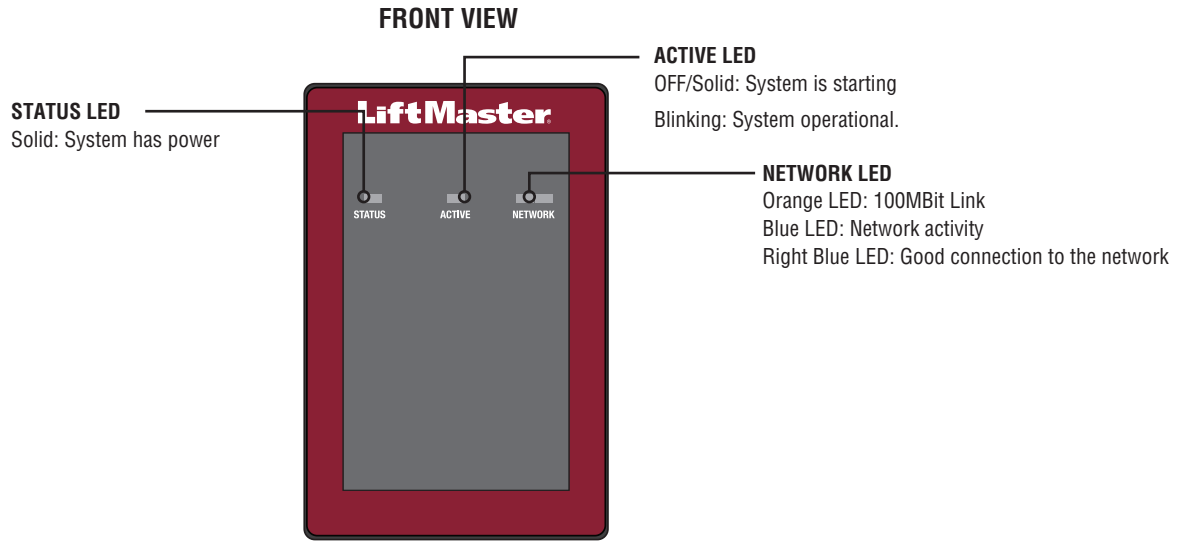
The CAP2D complies with the UL294 Standard for access control units with the following restrictions:

- The system relay contacts shall not be configured in the fail secure mode unless permitted by the local authority having jurisdiction and shall not interfere with the operation of panic hardware.
- The Ethernet port is for supplemental use only, the unit will continue to operate standalone if the network connection is interrupted.
- This unit can be powered over Ethernet via PoE Compatible hardware. Where used, any PoE power source must be UL294 Listed.
- All interconnecting devices must be UL Listed.

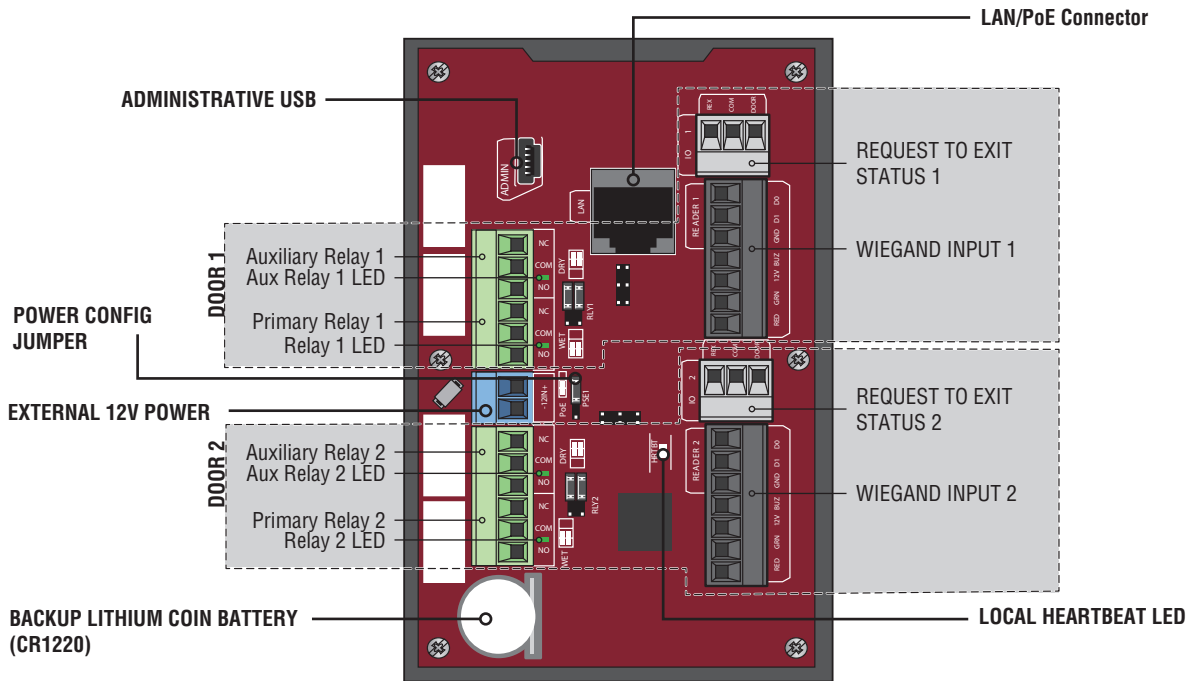
 **WARNING**

DO NOT INSTALL THE SYSTEM IN THE FAIL SECURE MODE UNLESS PERMITTED BY THE LOCAL AUTHORITY HAVING JURISDICTION. Doing so may cause interference with the operation of panic hardware.

Controller Overview



Control Board Overview



Control Board Connection	Description
Administrative USB	Connect Mini-USB cable to access administrative functions
LAN/PoE	Connect to network. *May also carry 802.3af/at power
Backup Lithium Battery	Battery preserves the system's data during primary power outages
Local Heartbeat	LED indicates proper function
Relay Indicator	LED lights when relay is engaged (one per relay)
Power Configuration	Jumper selects between PoE or Wired Power Supply

***NOTE:** Compliance to IEEE 802.3, at or af, was not evaluated by UL.

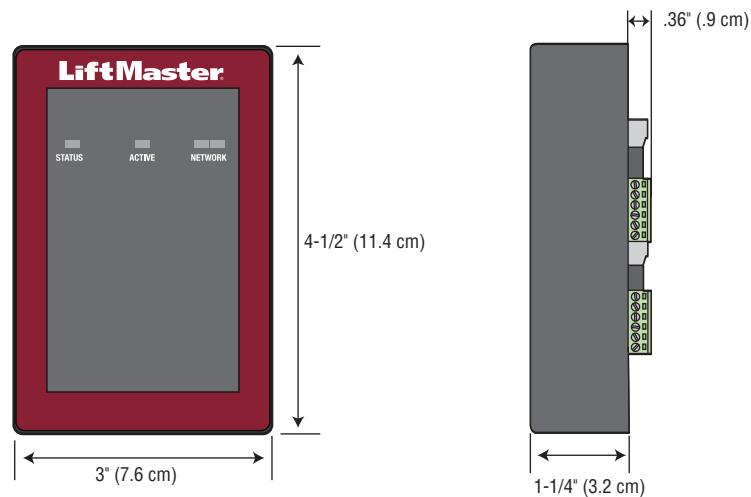
Carton Inventory

- Door Controller
- USB Cable
- Diodes
- Installation Manual

Tools Needed

- PH2 Phillips Screwdriver
- Precision 1/8" Flat or PH0 Phillips Screwdriver
- 1/4" Nut Driver
- Drill/Driver
- 7/64" Drill Bit
- Hammer Drill Bits for Drill/Driver
- RJ45 Crimping Pliers
- Multimeter
- Measuring tape
- Conduit Bender
- Conduit Cutter/Reamer
- Hack Saw
- Center Punch Tool
- Hammer

Dimensions



Specifications

CAP2D Capacity	Resident Capacity: 25,000 / Local Event History: 6,000
CAP2D Operating Temperature Range	-31°F to 150°F (-35°C to 66°C)
CAP2D Operational Humidity	5% to 95% non-condensing
Storage and Shipping Temperature Range	-40°F to <185°F (-40°C To <85°C)
Wiegand Inputs (2)	*26-Bit SIA Standard, 30-Bit Sentex, 32-Bit Mifare, 37-Bit HID with Facility Code, 37-Bit Transcore. Also supports ASCII for Wiegand keypads.
2 Primary and 2 Auxiliary Relay Outputs	SPDT
Accessory Compatibility	Refer to the accessory page for compatible accessories
Network Compatibility	10/100 Ethernet
Wire Specification	RJ-45 Wired Ethernet
PoE Supply Connector Configuration	Alternative B

***NOTE:** Only 26-bit is UL compatible.

Electrical Ratings

POWER IN	VOLTAGE	POWER (MIN)
Auxiliary Input	12 VDC	13 Watts
Power Over Ethernet	44-57 VDC	13 Watts

POWER OUT	VOLTAGE	CURRENT (MAX)
Relays (wet)	12 VDC	750mA (combined)
Wiegand Readers	12 VDC	750mA (combined)
Relays (dry-inductive)	30 VDC (max)	2,000mA

NOTE: IP Door Controller is to be connected to UL Listed Commercial 294 or 603 Power Supply for Auxiliary, or UL Listed 294/294b PoE Listed power supply for Power over Ethernet.

Wire Specifications

Use this chart to pull wires in preparation of your installation.

DESCRIPTION OF WIRE RUN	WIRE SPECIFICATION	MAXIMUM RUN DISTANCE
Power Wire, secondary DC output	2-Conductor 14 AWG	Up to 60 feet (18.3 m)
	2-Conductor 16 AWG	Up to 37 feet (11.3 m)
	2-Conductor 18 AWG	Up to 24 feet (7.3 m)
Local Area Network (LAN) CAT 5/6 Network Cable	8-Conductor, 24 AWG Twisted pair	328 feet* (100 m)
Door Strike/LiftMaster Gate Operator	2-Conductor 18-22 AWG Shielded	100 - 250 feet (30.5 - 76.2 m)
Magnetic Lock	2-Conductor 18-22 AWG	50 - 125 feet (15.2 - 38.1 m)
Dry Contact Closure (Most Gate Operators)	2-Conductor 18-22 AWG Shielded	500 - 2500 feet (152.4 - 762 m)
Exit Request (REX)	2-Conductor 18-22 AWG	500 feet (152.4 m)
Supervised Input	2-Conductor 18-22 AWG	500 feet (152.4 m)
Wiegand/Proximity Readers	7-Conductor 18-22 AWG Shielded	500 feet (152.4 m)

NOTE: Main power supply and control wiring **MUST** be run in separate conduits. Conduits must be UL approved for low and high voltage. Refer to the NEC, ANSI/NFPA 70 for additional wiring requirements.

NOTE: Place the CAP2D unit within 500 feet of its associated electronic strike or latch. Monitoring Software is not UL evaluated.

Always provide power from a dedicated source. Plug provided transformer into an outlet wired to its own 10 Amp minimum circuit breaker. This will prevent two problems:

- Other equipment cannot introduce spikes, noise, surges or dips into the power circuit that will affect the system.
- The system's operation will not be affected if any other equipment develops a short circuit across the power line.

*** CAT 5/6 NETWORK CABLE NOTES:**

- For outdoor distances exceeding 140 feet (42.7 m), a UL497 compliant primary surge protector **MUST** be installed at the controller.
- Distances exceeding 328 feet (100 m) can be accommodated with additional hardware. Contact Technical Support for more information. Additional hardware was not evaluated under UL294.

1 Internet Service

The controller MUST be configured with the proper network settings to operate.

NETWORK

Internet service provider: _____

Automatic IP addressing: DHCP (default setting)

OR

Static IP Addressing: Optional, requires connection to PC with USB (**NOTE:** Write down the following for future reference: IP, Netmask, Gateway, Primary, Secondary, Server Port)

2 CP# for Controller

(Located on a label on the housing)

IPC - _ _ - _ _ _ _ _



3 Setup a myQ® Business™ Account

NOTE: If you have an existing myQ® account, your myQ® Business™ account will have the same password.

1. If you do not have a myQ® Business™ Account, call LiftMaster Customer Care at 800.323.2276 to activate a myQ® Business™ Service account.
2. You will get a welcome email from LiftMaster. Accept the email invitation and register or login to your account.
3. Set up the Facility and add residents and credentials (refer to the available Help in myQ® Business™).
4. Continue with the installation of the CAP2D in this manual.

myQ®
business™

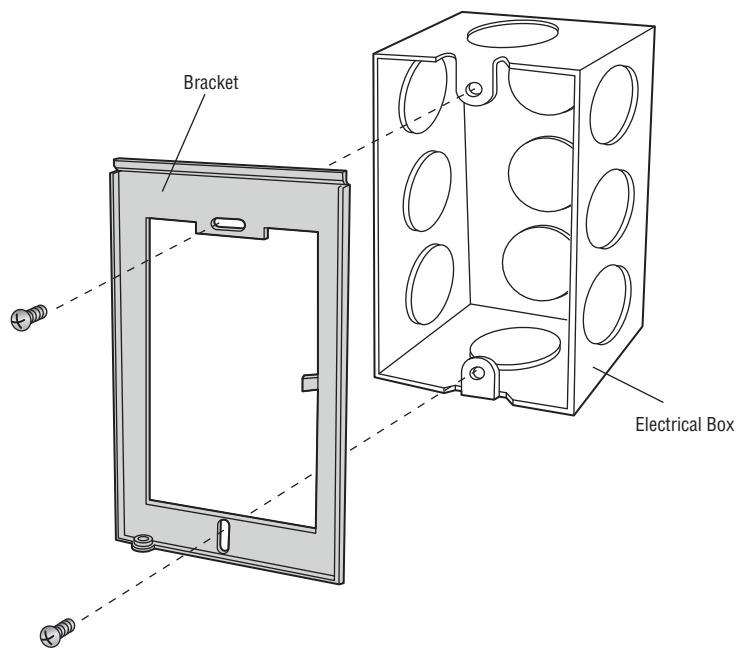
myQ® business™ For myQ® Business™ programming please visit www.myqbusiness.com

4 Mount the Bracket

1. Install an electrical box in the desired mounting location.

NOTE: Use 4" square electrical box (minimum of 1 1/2" deep) with a single-gang plaster ring. Use Wiremold® V5744S or BW35 for surface-mount installations.

2. Remove the bracket from the back of the CAP2D.
3. Mount the bracket to the electrical box.
4. Run all wiring to the electrical box.
5. Once all the wiring is completed, position the CAP2D in the bracket and secure it at the bottom with the provided screw.



1 Connect Power

USING PoE (POWER OVER ETHERNET):

1. Connect Ethernet cable to the LAN/PoE connection on the control board.
2. Move PoE jumper to Power over Ethernet (PoE) setting.

USING A DC POWER SUPPLY:

The outlet for the controller MUST be an external dedicated 120 Vac outlet located within 60 feet (18.3 m) cable run of the controller. This outlet is recommended to be wired back to its own 10 Amp minimum circuit breaker.

WIRE SPECIFICATION	MAXIMUM RUN DISTANCE
14 AWG	Up to 60 Feet (18.3 m)
16 AWG	Up to 37 Feet (11.3 m)
18 AWG	Up to 24 Feet (7.3 m)

1. Connect 14-18 AWG wire to the stripped secondary DC output wires on the power supply. Black is negative and red is positive.
2. Connect the power supply wires to the +12IN- terminal block (red to + and black to -).
3. Plug the power supply into a 120 Vac outlet after all connections have been made.

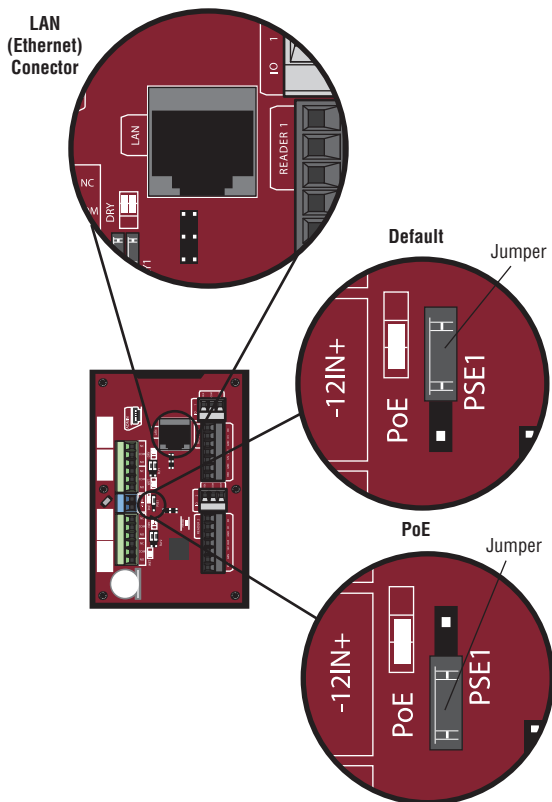
⚠️ WARNING

DO NOT connect a DC power supply if Power Over Ethernet (PoE) is selected and connected. Board may be damaged and is NOT covered under the warranty

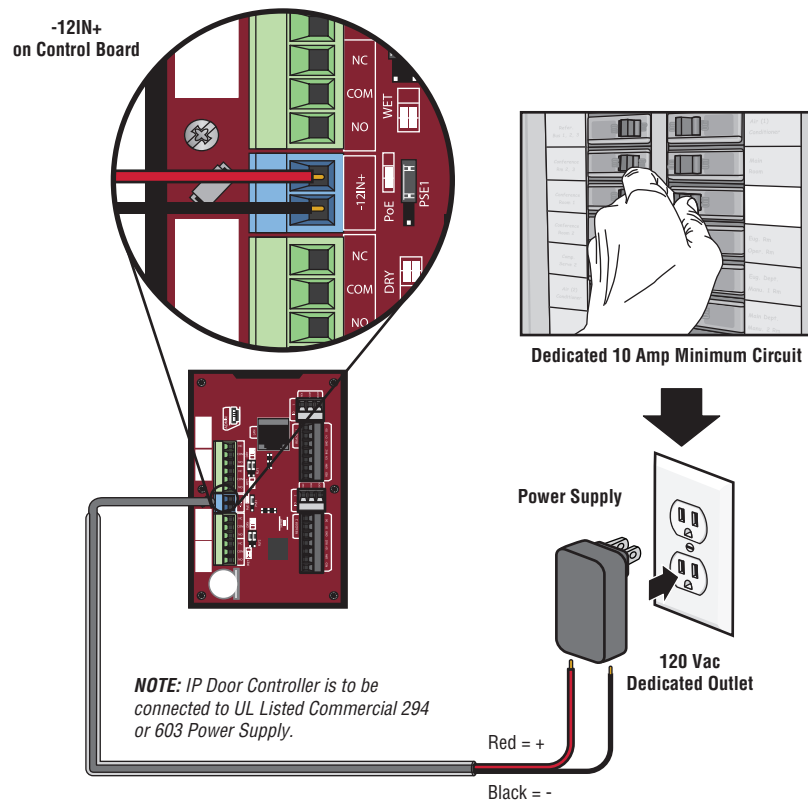
⚠️ CAUTION

- DO NOT power electronic strikes and latches with the same power supply used to power the access control panel; doing so will cause DAMAGE to the controller. Use ONLY a UL listed burglar alarm or access control system to power electronic strikes and latches.
- DO NOT connect the power supply to a switched outlet or otherwise controlled AC outlet.
- DO NOT connect the power supply to the 120 Vac outlet until ALL wiring is completed.
- Install the transient noise suppression device (MOV) supplied with the controller for AC powered devices and Diode for DC powered devices.

PoE (Power Over Ethernet)



Power Supply

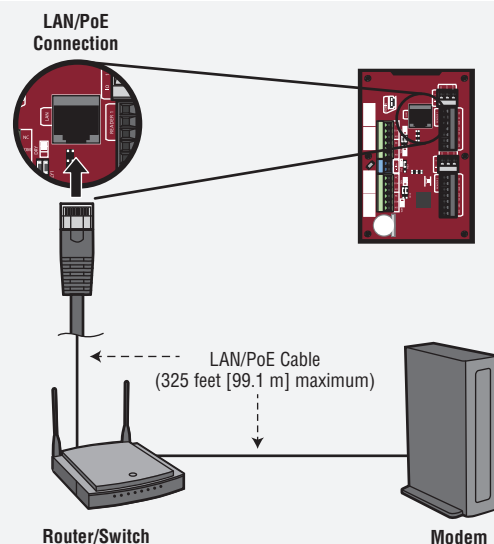


1 Connect Internet

Connect with LAN

The Local Area Network (LAN) port is a 10/100 Ethernet interface with an RJ45 jack for connecting the CAP2D to a hub, switch, or router in order to gain connectivity to the Internet. Use a straight, (i.e., non-crossover) Cat5, Cat5e, or Cat6 cable to connect to a local hub, switch or router. This type of cable is referred to as an Ethernet cable in this manual.

1. Connect an Ethernet cable from the hub, switch, or router to the LAN port on the Control Board. When connected properly, the Router, Switch, or Hub Ethernet Green or Amber LED will light/flicker. If the LED light is not lit, check the connections on the controller and the Ethernet hub.
2. The default connection is DHCP, no additional configuration is required. If a fixed IP address is required for your setup, use the USB cable provided to connect the controller to a PC.



Static IP (Optional)

LiftMaster recommends the CAP2D be used in Dynamic IP (DHCP) mode, but it can be set to Static IP if required.

Note: Requires Windows Vista and newer.

1. Connect the CAP2D to your laptop using the included USB connector. Connect power to the CAP2D using either a router/switch capable of providing Power Over Ethernet (POE) or the included power supply. If using the included power supply, move the POE jumper.
2. Install USB drivers
 - a. Navigate to "Computer"
 - b. Right click on "LiftMaster CAP2D Resources"
 - c. Click on the "Driver" folder
 - d. Click on the "LiftMasterCAP2DDriverSupport"
 - e. Allow the setup program to use administrative privileges
 - f. Click "Next"
 - d. Accept any warning dialogs
 - h. Click Finish
 - i. After Installation, a message will display asking you to reboot the PC. You may select "Reboot Later".
 - j. Remove the USB Cable from the PC and wait for the PC to acknowledge removal.
3. Set static IP address:
 - a. Next Reinsert the USB cable into the PC and wait for the PC to acknowledge the device.
 - b. Open your browser and enter the address <http://192.168.207.1> to access the Administrator Interface.
 - a. The login page displays:
 - d. The login is "cli".
 - e. The password is "new5cli".
 - f. Click on the Networking tab.
 - g. Click IP Configuration.
 - h. Click the "Deactivate DHCP" button.
 - i. Fill in the fields according to the IT staff.
 - j. Click Set Static Parameters. Changes have been saved.
4. How to return to DHCP Configuration
 - a. Open your browser and enter the address <http://192.168.207.1>
 - b. The login page displays:
 - c. The login is "cli"
 - d. The password is "new5cli".
 - e. Click Networking tab.
 - f. Click IP Address Configuration. Click the "Activate DHCP" button.
5. To verify connectivity:
 - a. Open myQ® Business™
 - b. Add the CAP2D to a facility and confirm status is "Online"

Admin Mode

1. Connect a laptop to the CAP2D ADMIN USB port on the unit using a standard USB Mini-B cable.
 - a. The CAP2D ADMIN port is a USB interface for connecting the CAP2D unit to a laptop or PC to gain access to the local administrative interface for debug and manual configuration utilities.
 - b. The port requires a USB Mini-B cable for access between the laptop and the CAP2D unit.

Wiring REX (Request-to-Exit) and Doors/LiftMaster Gate Operators

1. Wire the REX and DOOR terminal block.
 - a. Connect the Normally Open (NO) contacts of the REX device to the REX and COM terminals. Enable Request to Exit settings in myQbusiness.com Door settings tab. Select State [x] NO (Normally Open).
 - When the switch closes, it initiates a Request-to-Exit (REX) program sequence, including the option to activate the door or other relays, fire and door strike, and suppress any “Door Forced” messages.
 - b. Connect the Normally Closed (NC) contacts of the Door Sensor to the COM and CONTACT terminals. Enable Request to Exit settings in myQbusiness.com Door settings tab. Select State [x] NC (Normally Closed).
 - In this context, an NC switch is considered closed when the door is closed (magnet present), and open when the door is open (no magnet is present).
 - When the switch is open, the control panel interprets this input as a “Door Open” condition. When the switch is closed, the control panel interprets this input as a “Door Closed” condition.
 - This circuit provides door status information (open/closed) to the control panel so myQ® Business™ can take appropriate action locally, or send email notifications if necessary.
2. Wire the DOOR LOCK RELAY terminal block.
 - a. Connect the door latch to the COM terminal and either the NO or NC terminal.
 - b. The DOOR LOCK RELAY provides both NO (Normally Open) and NC (Normally Closed) contacts, and is driven in response to the presentation of valid credentials or the programmable REX input.
 - c. Timing and other aspects of relay activation are programmed through myQ® Business™.
3. If used for an alarm shunt, wire the AUX RELAY 1 terminal block. If not used for an alarm shunt, AUX RELAY 1 can be used for a variety of purposes. Enable [x] Use Aux Relay setting in myQbusiness.com Door settings tab.
4. Wire AUX RELAY 2. Like the AUX RELAY 1, this terminal block can be used for a variety of purposes. Enable [x] Use Aux Relay setting in myQbusiness.com Door settings tab.

NOTE: The fully programmable AUX RELAYs provide both NO (Normally Open) and NC (Normally Closed) contacts.



WARNING

There is a 3 AMP 24 Volt DC limit on through current for ALL relays.

Wiring REX and Doors/LiftMaster Gate Operators (continued)

5. Wire the Reader to the Wiegand Input of terminals in this door node.

NOTE: Refer to the Wiring Guide provided with the Reader/Keypad for connection diagrams.

- a. Use the wire recommended by the manufacturer of the reader or keypad. If no wire is recommended, use a minimum of 22 AWG wire with sufficient conductors that include shield (drain).
 - b. The reader interface uses standard Wiegand wiring conventions. Connect the wire properly to the terminal block on the appropriate board node. Following is a typical, but not universal, wiring guide. Refer to the Wiring Guide provided with the Reader/Keypad for guidelines related to your specific reader or keypad.
 - **Connect the green reader wire to the DATA0 terminal. This is the standard Data 0 circuit for Wiegand readers.**
 - **Connect the white reader wire to the DATA1 terminal. This is the standard Data 1 circuit for Wiegand readers.**
 - **Connect the black reader wire to the GND terminal. This is the standard Ground circuit for the reader.**
 - **Connect the blue reader wire to the BUZZ terminal. This is the standard Buzzer circuit for the reader.**
 - **Connect the red reader wire to the 12VDC terminal. This provides +12VDC to power the reader.**
 - **Connect the orange reader wire to the GRN LED terminal. This is the green LED circuit.**
 - **Connect the brown reader wire to the RED LED terminal. This is the red LED circuit.**
6. Install MOVs.
 - a. Install the MOV across the NC and Common terminals, as close as possible to the electric strike or latch. This will normally be at the connection from the field-installed wiring to the pigtail or screw terminals of the electronic strike or latch.
 - b. Use the wire recommended by the manufacturer of the electric strike or latch. If no wire is recommended, use a minimum of 18 AWG wire with sufficient strands for the specific electronic strike or latch.



WARNING

Install the transient noise suppression device (mov) supplied with the control panel.

Operation

Normal Standby Operation: The CAP2D is always in ready state and is monitoring its inputs for changes. If any of the inputs change state, the CAP2D responds locally and communicates the change to myQ® Business™.

Reader/Keypad Operation: The CAP2D is designed to work with an approved reader and keypad using standard 26 bit Wiegand format. Some keypads may use ASCII format to pass Entry Codes.

Refer to the wiring diagram for physical connection to the CAP2D. Refer to the reader and keypad manual for full operating instructions.

Access Granted/Access Denied: When a valid credential is presented, access is granted with no audio or visual feedback from the CAP2D. Some accessory devices may provide feedback. E.g., a card reader or receiver may beep or change colors of an LED to convey the status.

Maintenance and Testing: No periodic maintenance or testing is required for the product to maintain safe normal operation.

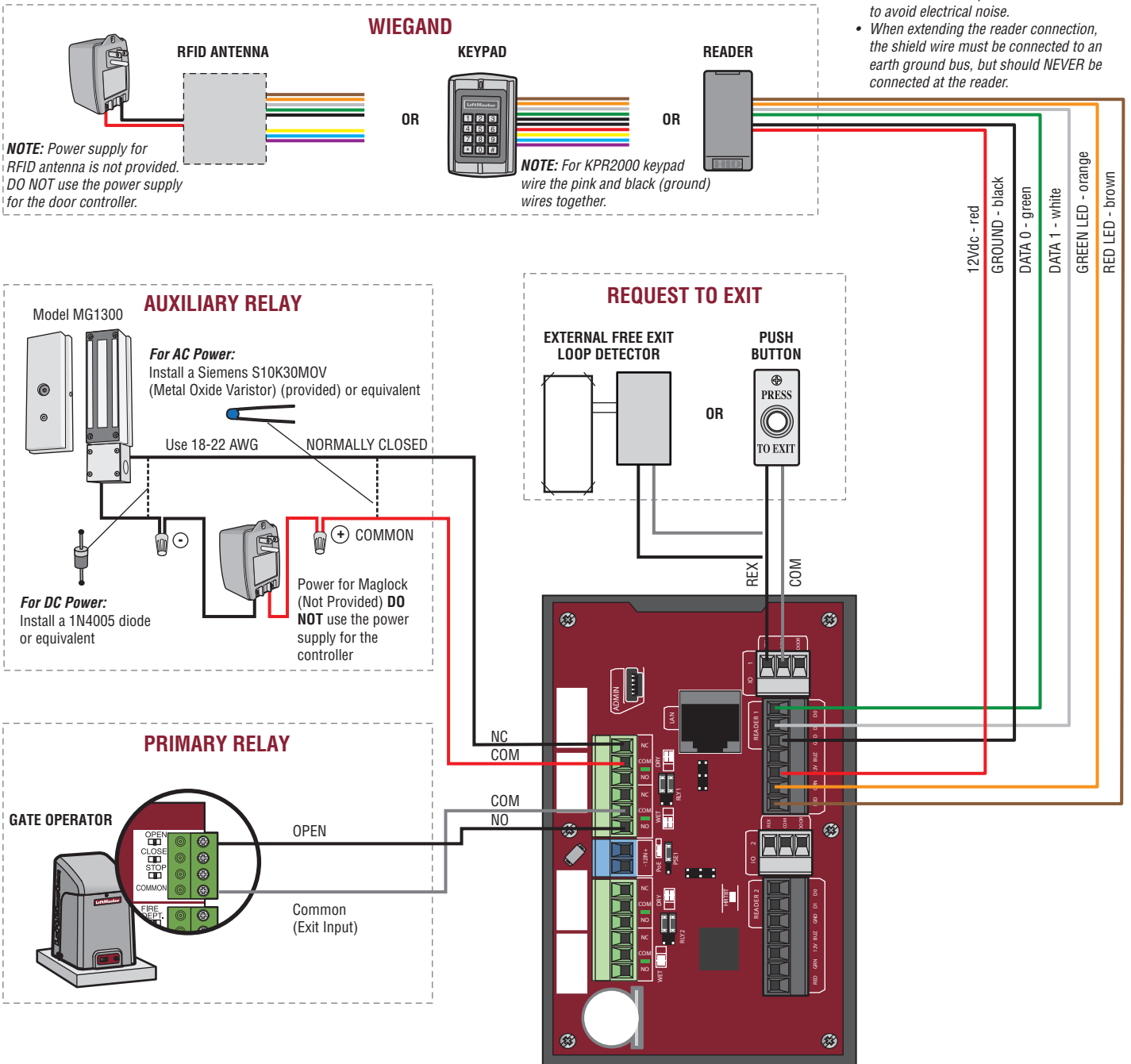
Gate Access

Disconnect power BEFORE making electrical connections. Below is an example of a wiring setup for gate access. Gate access can be wired to Door 1 or 2.

NOTE: Power Supplies shall be UL Listed Commercial 294 or 603 power limited output Power Supplies.

NOTES:

- The length of the unshielded wires should be kept to a minimum to avoid electrical noise.
- When extending the reader connection, the shield wire must be connected to an earth ground bus, but should NEVER be connected at the reader.



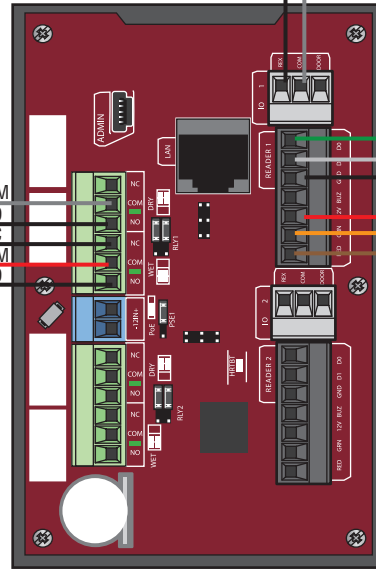
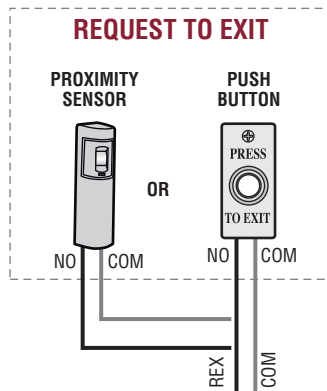
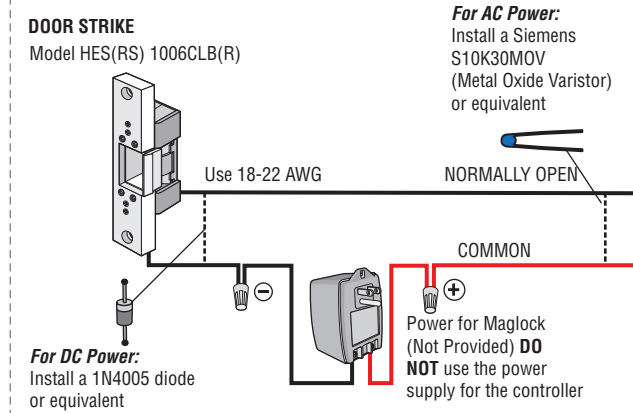
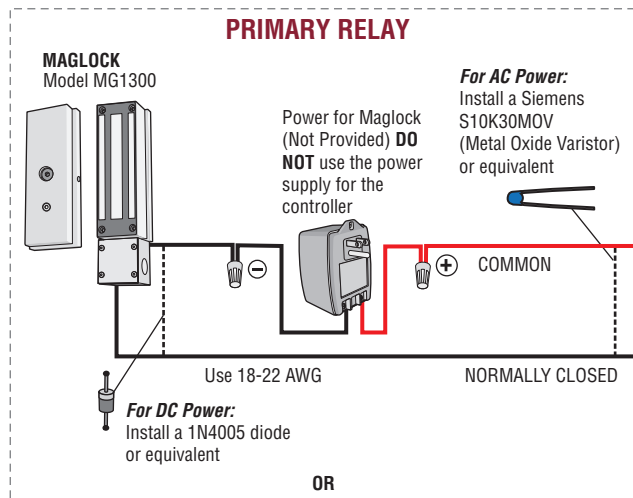
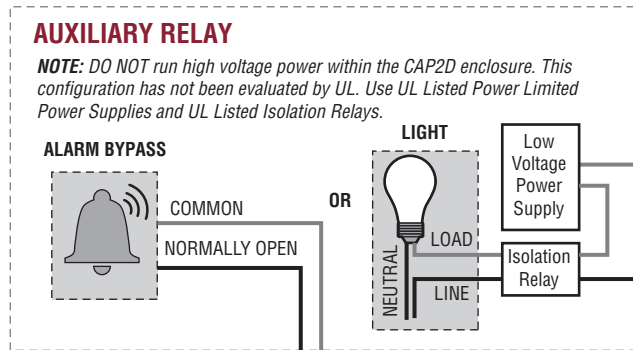
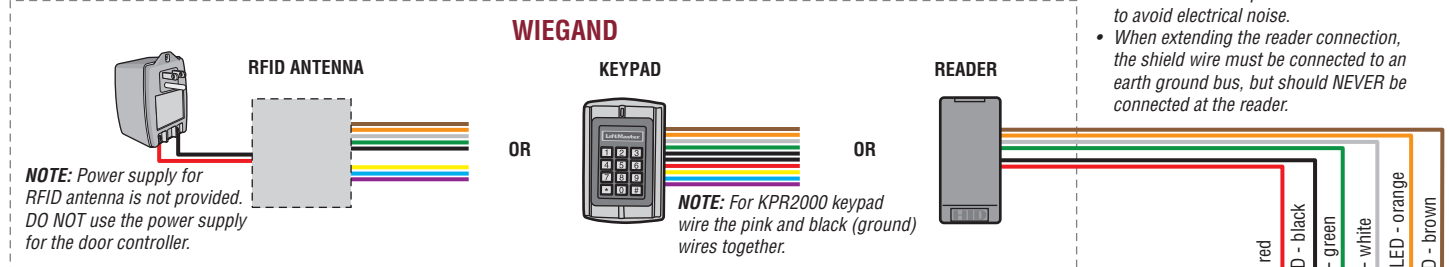
Door Access

Disconnect power BEFORE making electrical connections. Below is an example of a wiring setup for door access. Door access can be wired to Door 1 or 2.

NOTE: Power Supplies shall be UL Listed Commercial 294 or 603 power limited output Power Supplies.

NOTES:

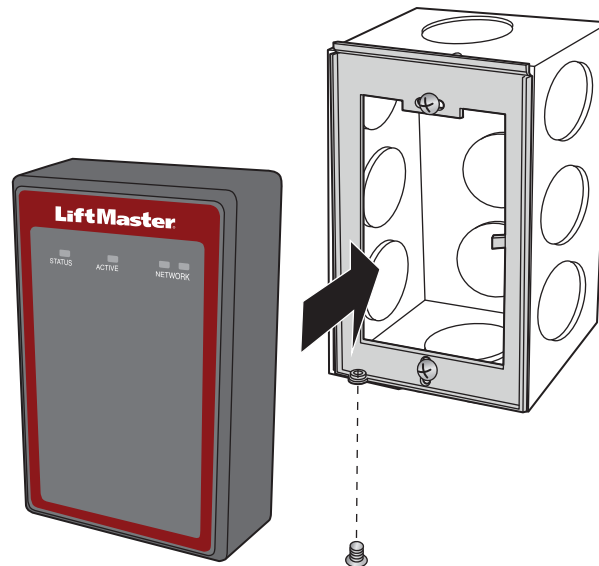
- The length of the unshielded wires should be kept to a minimum to avoid electrical noise.
- When extending the reader connection, the shield wire must be connected to an earth ground bus, but should NEVER be connected at the reader.



1 Install the CAP2D

1. Make sure all the wiring is tucked into the electrical box.
2. Slide the CAP2D onto the bracket and secure with the screw.

NOTE: The control units shall be mounted in a protected area. The exit device REX and wiring must be contained within the secured area.



Validate Proper Operation: Test each credential type and ensure proper behavior of each gate/door connected to CAP2D. Valid credentials and Request to Exit inputs should trigger the relay. Go to myqbusiness.com for programming and to check CAP2D activity and status.

Accessories

ITEM	PART NUMBER
Waterproof Keypad/Proximity Reader	KPR2000
UHF Long Range RFID Reader	LMSC1000

Troubleshooting

CAP2D does not power on after connecting 12VDC transformer.

Check position of PoE jumper. Move jumper to the top position.

Relay does not trigger when a credential is presented.

Check power; are LEDs powered on? Check input devices and connections for proper operation. Check myQ® Business™ activity log to aid in diagnosing.

I received an email saying the CAP2D was offline.

Check myQ® Business™ for latest online/offline status. If still offline check local Internet connection and power to the CAP2D. Sometimes this is also triggered during regular maintenance on the myQ® Business™ Servers. CAP2D stores the database locally and continues to provide access control without an Internet connection. Activity and database changes are only exchanged with myQ® Business™ when CAP2D is online.

Support Contacts

CGI - PROFESSIONAL	ACCESSIBILITY
Web	LiftMaster.com
FAQs	Support.Partner.LiftMaster.com/s/
Dealer Installation & myQ® Business™ Support Videos	YouTube.com/LiftmasterSupport
Commercial/Professional Support: 800-528-2806	Mon-Fri 5:00 a.m. to 6:00 p.m. MST
LiftMaster Training Academy	LiftMasterTraining.com
Partner Portal	Partner.LiftMaster.com/login

 For myQ® Business™ programming please visit www.myqbusiness.com

Configuration Sheet

Record device information and configuration settings below.

Controller Name:
<i>NOTE: Any user of the system is subject to the terms outlined in the product EULA.</i>
Notes:

DEVICE CONFIGURATION:

DOOR 1	DOOR/GATE NAME:		
INPUTS	WIEGAND	REX	STATUS
			EOL (Y / N)
OUTPUTS	PRIMARY RELAY		AUXILIARY RELAY
	N.O.	N.C.	N.O. N.C.
Notes:			

DOOR 2	DOOR/GATE NAME:		
INPUTS	WIEGAND	REX	STATUS
			EOL (Y / N)
OUTPUTS	PRIMARY RELAY		AUXILIARY RELAY
	N.O.	N.C.	N.O. N.C.
Notes:			

Legal Disclaimers

Federal Communications Commission (FCC) Compliance

This equipment has been tested and found to comply with the limits for a Class B digital device, pursuant to Part 15 of the FCC Rules. These limits are designed to provide reasonable protection against harmful interference in a residential installation or when the equipment is operated in a commercial environment. This equipment generates, uses and can radiate radio frequency energy and, if not installed and used in accordance with the instruction manual, may cause harmful interference to radio communications. However, there is no guarantee that interference will not occur in a particular installation. If this equipment does cause harmful interference to radio or television reception, which can be determined by turning the equipment off and on, the user is encouraged to try to correct the interference by one or more of the following measures:

- Increase the distance between the equipment and receiver.
- Connect the equipment to a circuit other than the one to which the receiver is connected.
- Consult the dealer for help.

Canada-Underwriters Laboratories (C-UL) Compliance

For C-UL Listed applications, the controller shall be installed in accordance with Part 1 of the Canadian Electrical Code.

Documentation Disclaimer and Restrictions

Information in this document is subject to change without notice and does not represent a commitment on the part of LiftMaster. For the most up-to-date information, visit www.LiftMaster.com.

This document and the data herein shall not be duplicated, used or disclosed to others for procurement or manufacturing, except as authorized with the written permission of LiftMaster. The information contained within this document or within the product itself is considered the exclusive property of LiftMaster. All information in this document or within the hardware and software product themselves is protected by the copyright and/or other intellectual property laws of the United States.

UL 294 Access Control Unit Level 1 (Attack, Line Security, Standby), and Level IV Endurance

NOTICE: To comply with FCC and/or Industry Canada (IC) rules, adjustment or modifications of this digital device are prohibited. THERE ARE NO USER SERVICEABLE PARTS. Any changes or modifications not expressly approved by the party responsible for compliance could void the user's authority to operate the equipment.

This device complies with Part 15 of the FCC rules and IC License-Exempt RSS Standard(s). Operation is subject to the following two conditions: (1) this device may not cause harmful interference, and (2) this device must accept any interference received, including interference that may cause undesired operation.

This Class B digital apparatus complies with Canadian ICES-003.

This device has been tested and found to comply with the limits for a Class B digital device, pursuant to part 15 of the FCC rules. These limits are designed to provide reasonable protection against harmful interference in a residential installation. This equipment generates, uses and can radiate radio frequency energy and, if not installed and used in accordance with the instructions, may cause harmful interference to radio communications. However, there is no guarantee that interference will not occur in a particular installation. If this equipment does cause harmful interference to radio or television reception, which can be determined by turning the equipment off and on, the user is encouraged to try to correct the interference by one or more of the following measures:

- Reorient or relocate the receiving antenna.
- Increase the separation between the equipment and receiver.
- Connect the equipment into an outlet on a circuit different from that to which the receiver is connected.
- Consult the dealer or an experienced radio/TV technician for help.
- This device must be installed in a way where a minimum 8" (20 cm) distance is maintained between users/bystanders and device.

Warranty

LiftMaster ("Seller") warrants to the first purchaser of this product, for the structure in which this product is originally installed, that it is free from defect in materials and/or workmanship for a period of two years from the date of purchase.

The proper operation of this product is dependent on your compliance with the instructions regarding installation, operation, maintenance and testing. Failure to comply strictly with those instructions will void this limited warranty in its entirety.

If, during the limited warranty period, this product appears to contain a defect covered by this limited warranty, call 1-800-528-2806 before dismantling this product. Then send this product, pre-paid and insured, to our service center for warranty replacement. Products returned to Seller for warranty replacement, which upon receipt by Seller are confirmed to be defective and covered by this limited warranty, will be replaced (at Seller's sole option) at no cost to you and returned pre-paid. Defective parts will be replaced with new or factory-rebuilt parts at Seller's sole option.

THIS LIMITED WARRANTY IS IN LIEU OF ANY OTHER WARRANTIES, EXPRESS OR IMPLIED, INCLUDING ANY IMPLIED WARRANTY OF MERCHANTABILITY OR FITNESS FOR A PARTICULAR PURPOSE OR OTHERWISE, AND OF ANY OTHER OBLIGATIONS OR LIABILITY ON SELLER'S PART. THIS LIMITED WARRANTY DOES NOT COVER NON-DEFECT DAMAGE, DAMAGE CAUSED BY IMPROPER INSTALLATION, OPERATION OR CARE (INCLUDING, BUT NOT LIMITED TO ABUSE, MISUSE, FAILURE TO PROVIDE REASONABLE AND NECESSARY MAINTENANCE, UNAUTHORIZED REPAIRS OR ANY ALTERATIONS TO THIS PRODUCT), LABOR CHARGES FOR REINSTALLING A REPAIRED OR REPLACED UNIT, PROBLEMS RELATED TO INTERFERENCE, OR REPLACEMENT OF BATTERIES.

UNDER NO CIRCUMSTANCES SHALL SELLER BE LIABLE FOR CONSEQUENTIAL, INCIDENTAL OR SPECIAL DAMAGES ARISING IN CONNECTION WITH USE, OR INABILITY TO USE, THIS PRODUCT. IN NO EVENT SHALL SELLER'S LIABILITY FOR BREACH OF WARRANTY, BREACH OF CONTRACT, NEGLIGENCE OR STRICT LIABILITY EXCEED THE COST OF THE PRODUCT COVERED HEREBY. NO PERSON IS AUTHORIZED TO ASSUME FOR US ANY OTHER LIABILITY IN CONNECTION WITH THE SALE OF THIS PRODUCT.

Some states do not allow the exclusion or limitation of consequential, incidental or special damages, so the above limitation or exclusion may not apply to you. This limited warranty gives you specific legal rights, and you may also have other rights which vary from state to state.

All trademarks, service marks, and product or service names are trademarks or registered trademarks of their respective owners.

© 2019 LiftMaster
All rights reserved.

myQ® Business™

Contrôleur de 2 portes du portail d'accès connecté

MANUEL D'INSTALLATION

Modèle CAP2D



LiftMaster®

INTRODUCTION

i

Sécurité.....	3
Présentation du contrôleur.....	4
Présentation de la carte logique.....	4
Contenu de la boîte.....	5
Outils nécessaires.....	5
Dimensions.....	5
Caractéristiques techniques.....	6
Caractéristiques électriques.....	6
Caractéristiques techniques du câblage.....	7

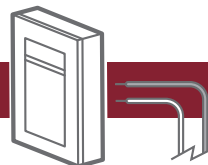
1 PRÉ-INSTALLATION

Service internet.....	8
No CP pour le contrôleur.....	8
Configurer un compte myQ® Business™.....	8
Monter le support.....	9

myQ® business™

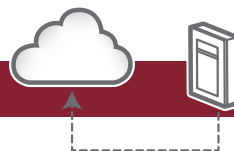
2 CÂBLAGE

Raccordement de l'alimentation.....	10
-------------------------------------	----



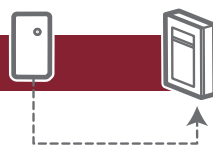
3 RÉSEAU

Se connecter à internet.....	11
------------------------------	----



4 CONTRÔLE D'ACCÈS

Mode Admin.....	12
Câblage REX et portes.....	12
Fonctionnement.....	14
Accès à la barrière.....	15
Accès à la porte.....	16



5 INSTALLATION

Installation du CAP2D.....	17
Dépannage.....	18
Feuille de configuration	18
Avis de non-responsabilité	19
Garantie	19



Sécurité

Examen des symboles de sécurité et des mots de signalement

Les symboles de sécurité et les mots de signalement qui figurent sur les pages suivantes vous avertissent de la possibilité de blessures graves ou mortelles en cas de non-conformité aux avertissements qui les accompagnent. Le danger peut être de source mécanique ou provenir d'une décharge électrique. Lisez attentivement les avertissements.

Lorsque ce mot-indicateur figure sur les pages suivantes, il vous alerte de la possibilité de dommages à la barrière et/ou à l'actionneur de porte si les mises en garde qui l'accompagnent ne sont pas observées. Prière de les lire attentivement.

AVERTISSEMENT

MÉCANIQUE

AVERTISSEMENT

ÉLECTRICITÉ

ATTENTION

AVERTISSEMENT

Pour réduire le risque de BLESSURES GRAVES, voire MORTELLES:

- Déconnecter l'alimentation au niveau de la boîte à fusibles AVANT de poursuivre.
- Pour ÉVITER d'endommager les conduites de gaz, d'alimentation électrique ou autres conduites de services publics, contacter les compagnies de localisation de services souterrains AVANT d'entreprendre les travaux d'excavation.
- TOUTES les connexions électriques DOIVENT être réalisées par un professionnel.
- TOUT câblage d'alimentation et de commande DOIT être acheminé dans un conduit séparé.

Pour assurer la protection contre le feu et une électrocution:

- Déconnecter l'alimentation AVANT de procéder à l'installation du contrôleur ou à une intervention d'entretien sur celui-ci.
- NE JAMAIS connecter un clavier/lecteur ou une serrure aux portes sans d'abord consulter le code de prévention des incendies applicable.
- Il est IMPÉRATIF de consulter les autorités du service local des incendies et d'obtenir leur approbation AVANT d'installer des serrures ou des dispositifs à TOUTE porte qui pourrait servir de sortie de secours en cas d'incendie.
- Il est possible que l'utilisation de boutons-poussoirs pour une porte de secours ne soit pas légale. Des sorties de secours à action unique peuvent être exigées.
- Obtenir TOUJOURS les permis et autorisations appropriés AVANT d'installer un équipement quelconque.



AVERTISSEMENT : Ce produit peut vous exposer à des substances chimiques, incluant du plomb, lesquelles sont reconnues par l'État de la Californie comme étant cancérigènes et pouvant causer des anomalies congénitales ou autres préjudices à l'appareil reproducteur. Pour plus d'information, aller à www.P65Warnings.ca.gov.

CONFORMITÉ À L'UNDERWRITERS LABORATORIES (UL)

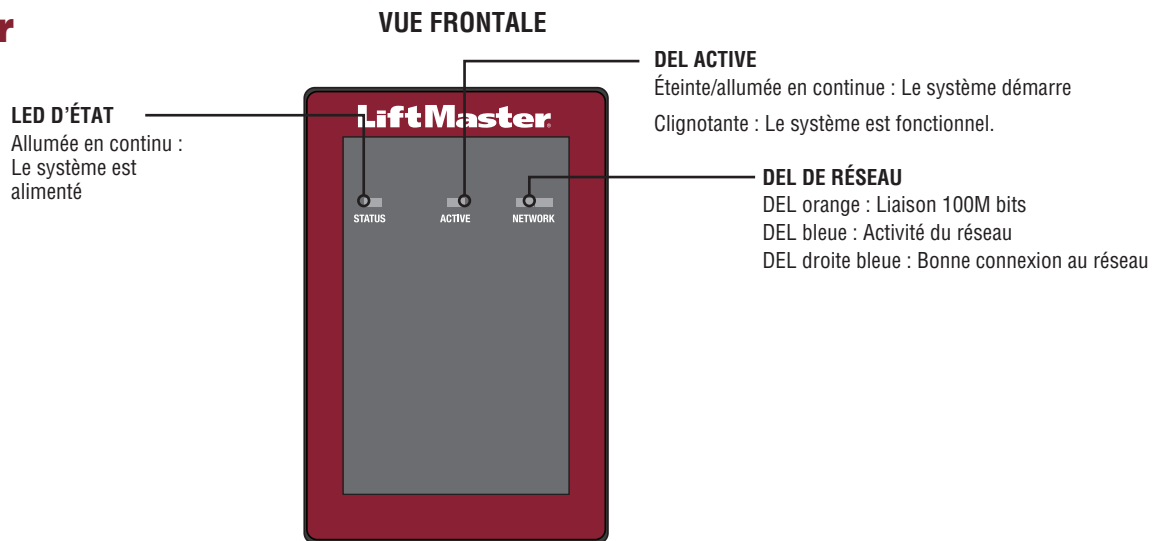
Le CAP2D est conforme à la norme UL294 pour les unités de contrôle d'accès avec les restrictions suivantes:

- Les contacts de relais du système ne doivent pas être configurés en mode de sécurité intégré, à moins que ça ne soit permis par les autorités locales ayant juridiction, et ne doivent pas interférer avec le fonctionnement de la quincaillerie de barre antipanique.
- Le port Ethernet est destiné à un usage complémentaire uniquement, l'unité continue de fonctionner de manière autonome si la connexion au réseau est interrompue.
- Cette unité peut être alimentée par câble Ethernet par le biais d'une quincaillerie compatible. Là où elle est utilisée, la source d'alimentation par câble Ethernet doit être homologuée UL294.
- Tous les dispositifs connectés l'un à l'autre doivent être homologués UL.

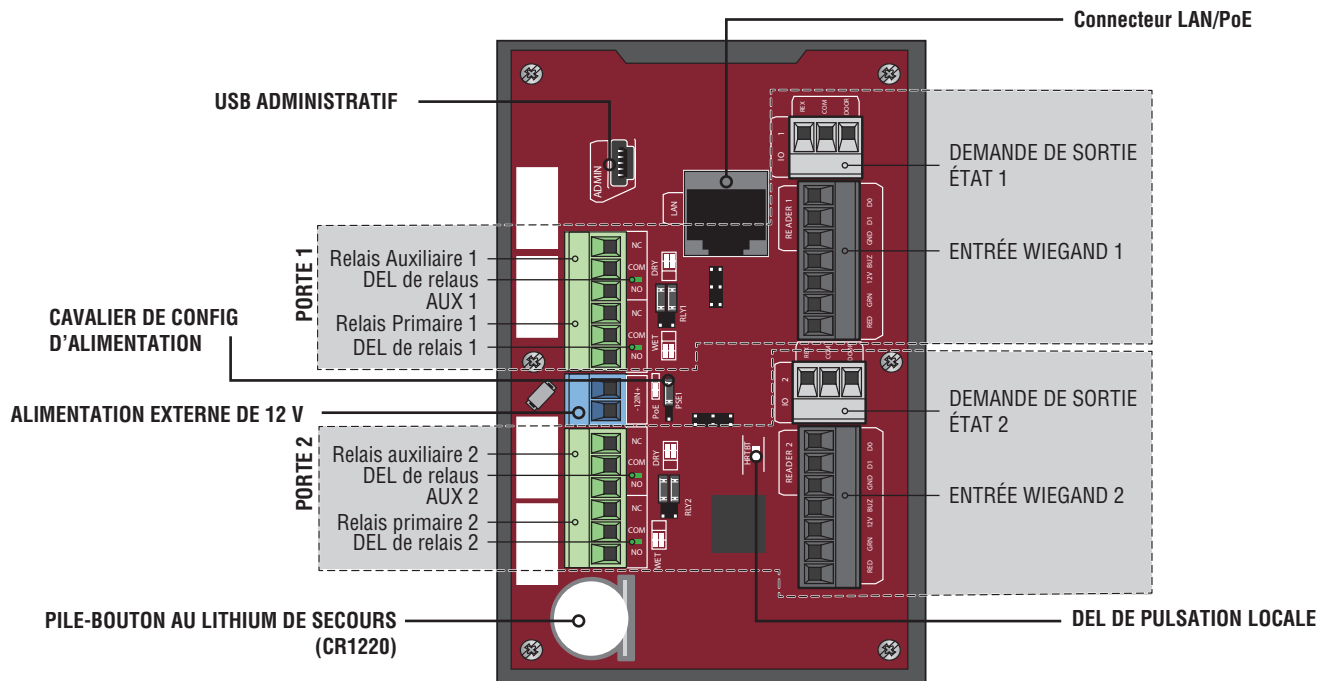
AVERTISSEMENT

NE PAS INSTALLER LE SYSTÈME EN MODE DE SÉCURITÉ INTÉGRÉE SAUF SI LES AUTORITÉS LOCALES AYANT JURIDICTION LE PERMETTENT. Cela pourrait causer une interférence avec le fonctionnement de la serrure antipanique.

Présentation du contrôleur



Présentation de la carte logique



Connexion de la carte logique	Description
USB administratif	Connecter le mini-câble USB pour accéder aux fonctions administratives
LAN/PoE	Connecter au réseau * Peut également transporter de l'énergie 802.3af / at
Batterie de secours au lithium	La batterie preserve les données du système pendant des pannes de courant de la source d'alimentation primaire
Pulsation locale	La DEL indique le bon fonctionnement
Témoin de relais	La DEL s'allume lorsque le relais est engagé (un par relais)
Configuration de l'alimentation	Le cavalier sélectionne entre PoE ou alimentation câblée

***REMARQUE:** La conformité à IEEE 802.3, at ou af, n'a pas été évaluée par l'UL.by UL.

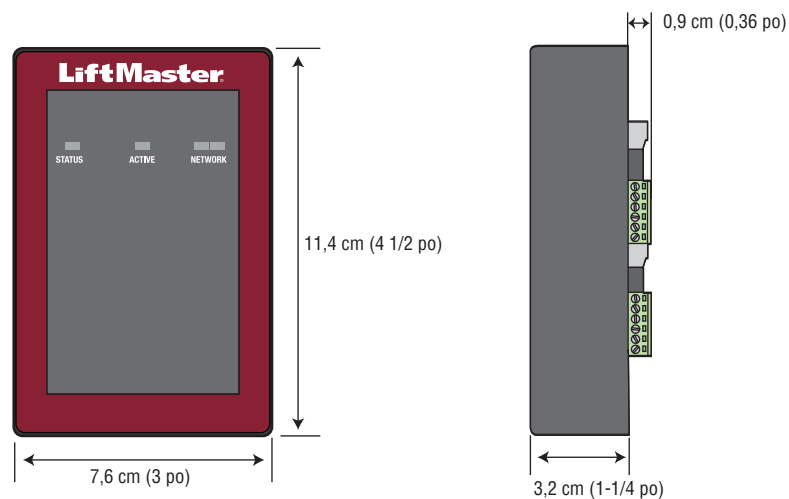
Contenu de la boîte

- Contrôleur de porte
- Câble USB
- Diodes
- Manuel d'installation

Outils nécessaires

- Tournevis cruciforme PH2
- Tournevis à tête plate de précision 1/8 po ou cruciforme PH0
- Tourne-écrou magnétique 1/4 po
- Perceuse/tournevis électrique
- Foret 7/64 po
- Embouts de perceuse à percussion pour perceuse/outil électrique
- Pincés à sertir RJ45
- Multimètre
- Ruban à mesurer
- Cintreuse de conduit
- Coupe-conduit / alésoir
- Scie à métaux
- Pointeau
- Marteau

Dimensions



Caractéristiques techniques

Capacité de CAP2D	Capacité de résidents 25 000 / Historique d'événements locaux 6 000
Plages de températures de service du CAP2D	-35 °C à 66 °C (-31 °F à 150 °F)
Humidité opérationnelle CAP2D	5 % à 95 % sans condensation
Plage de températures de rangement et d'expédition	-40 °F à <185 °F (-40 °C à <85 °C)
Entrées Wiegand (2)	*26 bits SIA standard, 30 bits Sentex, 32 bits Mifare, 37 bits HID avec code d'installation, 37 bits Transcore. Prend aussi en charge ASCII pour les claviers Wiegand.
Sorties de relais : 2 primaires et 2 auxiliaires	SPDT
Compatibilité des accessoires	Se reporter à la page des accessoires
Compatibilité du réseau	10 / 100 Ethernet
Caractéristiques techniques du câblage	Ethernet filaire RJ-45
Configuration du connecteur d'alimentation PoE	Solution de rechange B

***REMARQUE :** Seul 26 bits est compatible à l'UL.

Caractéristiques électriques

ENTRÉE D'ALIMENTATION	TENSION	ALIMENTATION (MIN)
Entrée auxiliaire	12 VDC	13 Watts
Par câble Ethernet	44-57 V c. c.	13 Watts

SORTIE D'ALIMENTATION	TENSION	COURANT (MAX)
Relais (mouillé)	12 V c.c.	750 mA (combiné)
Lecteurs Wiegand	12 V c.c.	750 mA (combiné)
Relais (secs-inductifs)	30 V c. c. (max)	2 000mA

REMARQUE : Le contrôleur de porte IP doit être connecté à une source d'alimentation homologuée UL commerciale 294 ou 603 pour l'alimentation auxiliaire, ou une source d'alimentation homologuée UL 294/294b PoE pour l'alimentation par câble Ethernet.

Caractéristiques techniques du câblage

Utiliser ce tableau pour tirer les fils en préparation de votre installation.

DESCRIPTION DU FILAGE	CARACTÉRISTIQUES TECHNIQUES DU CÂBLAGE	DISTANCE MAXIMALE DU FILAGE
Câble d'alimentation, sortie c. c. secondaire	2 conducteurs 14 AWG	Jusqu'à 18,3 m (60 pi)
	2 conducteurs 16 AWG	Jusqu'à 11,3 m (37 pi)
	2 conducteurs 18 AWG	Jusqu'à 7,3 m (24 pi)
Réseau local (LAN) Câble de réseau CAT 5/6	à 8 conducteurs, à paires torsadées 24 AWG	100 m (328 pi)*
Barre antipanique/actionneur de barrière LiftMaster	à 2 conducteurs, blindé 18 à 22 AWG	100 À 250 PI (30,5 À 76,2 M)
Serrure électromagnétique	à 2 conducteurs, 18 à 22 AWG	50 À 125 PI (15,2 À 38,1 M)
Fermeture à contact sec (la plupart des actionneurs)	à 2 conducteurs, blindé 18 à 22 AWG	500 À 2500 PI (152,4 À 762 M)
Demande de sortie (REX)	à 2 conducteurs, 18 à 22 AWG	500 PI (152,4 M)
Entrée supervisée	à 2 conducteurs, 18 à 22 AWG	500 PI (152,4 M)
Lecteurs Wiegand/de proximité	à 7 conducteurs, blindé 18 à 22 AWG	500 PI (152,4 M)

REMARQUE : Le Câblage d'alimentation et de commande **DOIT** être acheminé dans des conduits distincts. Le conduit doit être homologué UL pour faibles et hautes tensions. Consulter le code de l'électricité national (NEC), ANSI / NFPA 70 pour les exigences de câblage supplémentaires.

REMARQUE : Placer l'unité du CAP2D à 152 m (500 pi) tout au plus de la gâche ou du verrou électronique auquel elle est associée. Le logiciel de surveillance n'a pas été évalué par l'UL.

Fournir toujours une alimentation d'une source réservée à cet effet. Brancher le transformateur fourni dans une prise câblée à son propre disjoncteur de 10 A au minimum. Cela permet de prévenir deux problèmes :

- un autre équipement ne pourra pas introduire dans le circuit d'alimentation du bruit, des pointes ou chutes de tension ou des surtensions qui compromettraient le système.
- Le fonctionnement du système ne sera pas touché si tout autre équipement développe un court-circuit dans la ligne électrique.

***CÂBLE DE RÉSEAU CAT 5/6 REMARQUES :**

- Pour les distances extérieures dépassant 42,7 m (140 pi), un limiteur de tension primaire conforme à la norme UL497 **DOIT** être installé au contrôleur.
- Une quincaillerie supplémentaire peut être utilisée pour les distances dépassant 100 m (328 pi). Contacter le service d'assistance technique pour plus d'information. La quincaillerie supplémentaire n'a pas été évaluée en vertu de la norme UL294.

1 Service internet

Le contrôleur DOIT être configuré à l'aide des bons paramètres de réseau pour fonctionner.

RÉSEAU

Fournisseur de service internet : _____

Adressage IP automatique : DHCP (paramètre de préférence)

OU

Adressage IP statique : Facultatif, exige une connexion à un PC avec USB (**REMARQUE** : Noter les renseignements suivants pour référence ultérieure : IP, masque réseau, passerelle, primaire, secondaire, port du serveur)

2 No CP pour le contrôleur

(Situé sur une étiquette sur le boîtier)

IPC - _ _ - _ _ _ _ _



3 Configurer un compte myQ® Business™

REMARQUE : Si vous avez un compte myQ® existant, votre compte myQ® Business™ aura le même mot de passe.

1. Si vous n'avez pas de compte myQ® Business™, appeler le service à la clientèle LiftMaster au 800 323.2276 pour activer un compte myQ® Business™.
2. Un courriel de bienvenue vous sera envoyé LiftMaster. Accepter l'invitation et s'inscrire ou ouvrir une session dans le compte.
3. Configurer l'installation et ajouter les résidents et identifiants (consulter la section Aide [Help] dans myQ® Business™).
4. Poursuivre l'installation du CAP2D dans ce manuel.

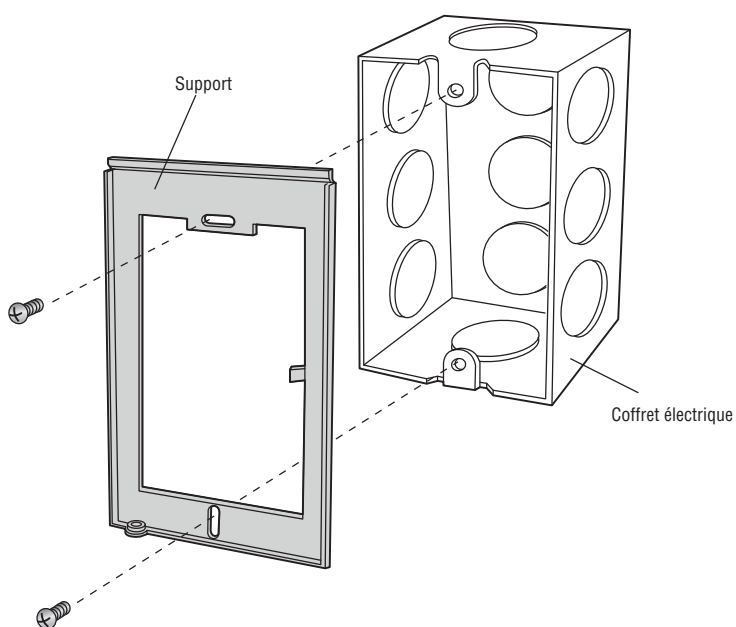
myQ®
business™

4 Monter le support

1. Installer un coffret de branchement à l'emplacement de montage désiré.

REMARQUE : Utilisez un boîtier électrique carré de 4 "(minimum de 1 1/2" de profondeur) avec un anneau de plâtre simple. Utilisez Wiremold® V5744S ou BW35 pour les installations montées en surface.

2. Enlever le support de l'arrière du CAP2D.
3. Monter le support au coffret de branchement.
4. Acheminer tout le câblage au coffret de branchement.
5. Lorsque le câblage est terminé, positionner le CAP2D dans le support et le fixer au fond avec la vis fournie.



1 Raccordement de l'alimentation

UTILISATION de PoE (POWER OVER ETHERNET):

1. Connecter le câble Ethernet à la connexion LAN/PoE sur la carte logique.
2. Déplacer le cavalier PoE au paramètre Power over Ethernet (PoE).

UTILISATION D'UNE ALIMENTATION CC:

La prise du contrôleur DOIT être une prise externe réservée de 120 V c. a. située à moins de 18,3 m (60 pi) de filage du contrôleur. On recommande que cette prise soit câblée à son propre disjoncteur de 10 A au minimum.

SPÉCIFICATION DE FIL	DISTANCE DE COURSE MAXIMALE
14 AWG	Jusqu'à 18,3 m (60 pi)
16 AWG	Jusqu'à 11,3 m (37 pi)
18 AWG	Jusqu'à 7,3 m (24 pi)

1. Connecter le fil 14-18 AWG aux fils de sortie c. c. secondaires dénudés sur la source d'alimentation. Le noir est de polarité négative et le rouge est de polarité positive.
2. Connecter les fils d'alimentation électrique au bornier+12IN (Entrée d'alimentation) (rouge à + et noir à-).
3. Brancher la source d'alimentation dans une prise de 120 V c. a. lorsque toutes les connexions ont été effectuées.

⚠️ ⚡ AVERTISSEMENT

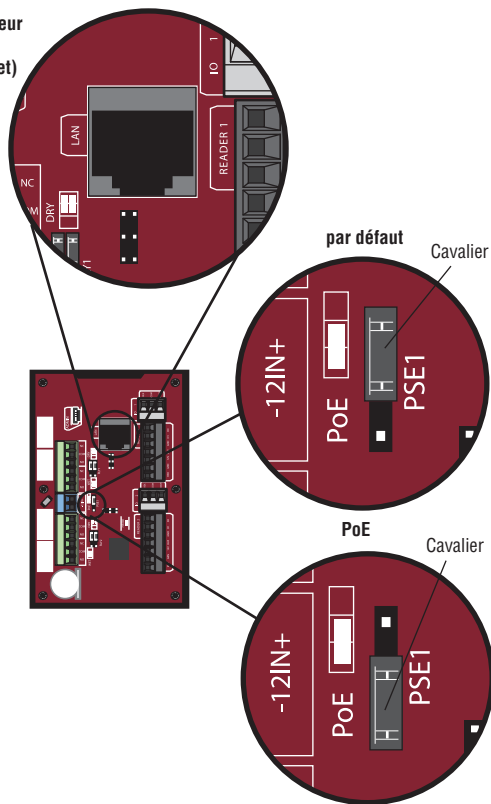
NE PAS connecter une source d'alimentation électrique c. c. si l'alimentation électrique par câble Ethernet (PoE) est sélectionnée et connectée. La carte peut être endommagée et n'est pas couverte par la garantie.

⚠️ ATTENTION

- NE PAS alimenter les gâches et verrous électroniques avec la même source d'alimentation que celle utilisée pour le panneau de contrôle d'accès sous risque de causer des DOMMAGES au contrôleur. Utiliser UNIQUEMENT une alarme anticambriolage ou un système de contrôle d'accès homologué UL pour alimenter les barres antipanique et les gâches électroniques.
- NE PAS raccorder l'alimentation électrique à une prise commutée ou autrement contrôlée par une prise c.a.
- NE PAS raccorder l'alimentation électrique à une prise de 120 V c.a. jusqu'à ce que TOUT le câblage ait été effectué.
- Installer le dispositif de suppression du bruit transitoire (varistance) fourni avec le contrôleur pour les dispositifs alimentés par courant alternatif et une diode pour les dispositifs alimentés par courant continu.

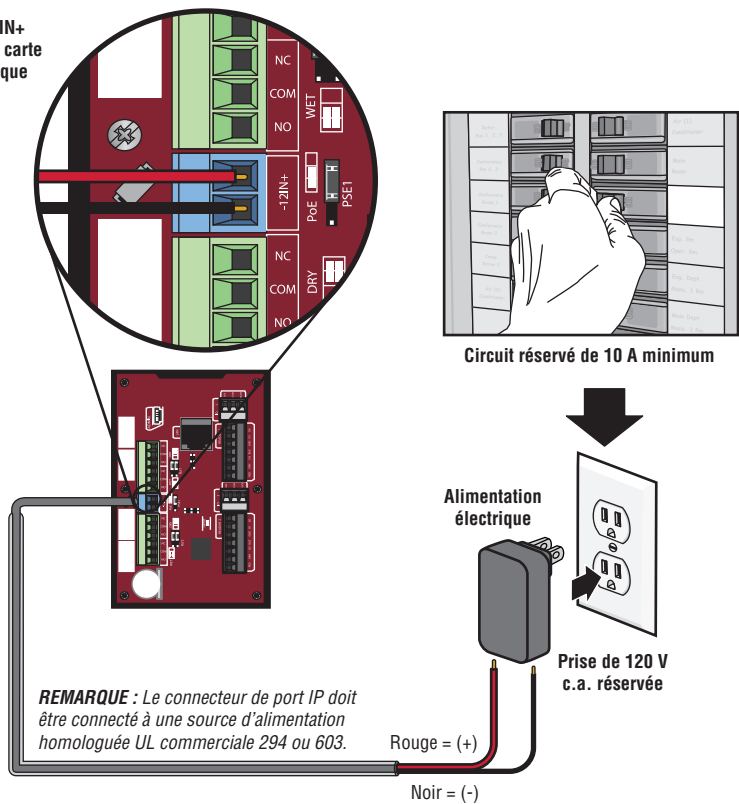
PoE (Power Over Ethernet)

Connecteur LAN (Ethernet)



Alimentation électrique

-12IN+ sur la carte logique



Circuit réservé de 10 A minimum

Alimentation électrique

Prise de 120 V c.a. réservée

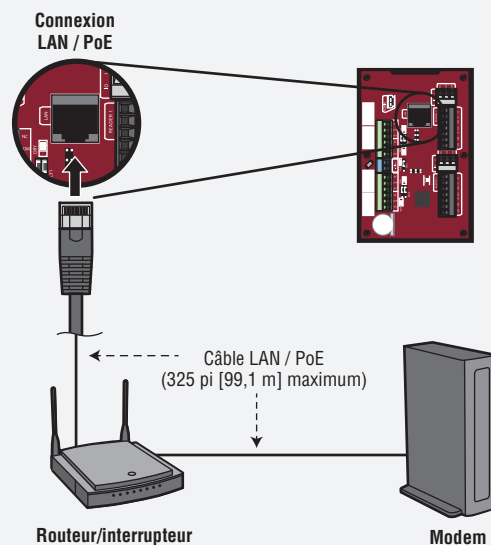
Rouge = (+)
Noir = (-)

1 Se connecter à internet

Connexion au réseau local

Le port du réseau local (LAN) est une interface Ethernet 10/100 dotée d'un connecteur RJ45 pour la connexion du CAP2D à un concentrateur, un interrupteur ou un routeur afin d'obtenir une connectivité à internet. Utiliser un câble direct (c.-à-d. pas de câble de relais) Cat5, Cat5e ou Cat6 pour raccorder ce port à un concentrateur local, un commutateur ou un routeur. On fait référence à ce type de câble comme un câble Ethernet dans ce manuel.

1. Connecter un câble Ethernet à partir du concentrateur, de l'interrupteur ou du routeur au port du réseau local sur la carte logique. Lorsque les connexions ont été effectuées correctement, la DEL verte ou ambrée du routeur, d'interrupteur ou du concentrateur Ethernet s'allumera/clignotera. Si la DEL ne s'allume pas, vérifier les connexions sur l'unité et le concentrateur Ethernet.
2. La connexion par défaut est DHCP, aucune configuration supplémentaire n'est nécessaire. Si une adresse IP fixe est exigée pour votre configuration, utiliser le câble USB fourni pour connecter le contrôleur à un ordinateur.



IP statique (en option)

Liftmaster recommande d'utiliser le CAP2D en mode IP dynamique (DHCP), mais il peut être réglé en mode IP statique si nécessaire.

Remarque : Exige Windows Vista et une version plus récente

1. Connecter le CAP2D à votre ordinateur portable à l'aide du connecteur USB inclus. Connecter l'alimentation au CAP2D à l'aide d'un routeur/interrupteur capable de fournir une alimentation électrique par câble Ethernet (PoE) ou avec la source d'alimentation fournie. Si la source d'alimentation incluse est utilisée, déplacer le cavalier POE.
2. Installer les pilotes USB
 - a. Naviguer jusqu'à « Computer » (Ordinateur)
 - b. Cliquez à droite sur « LiftMaster CAP2D Resources » (Ressources CAP2D LiftMaster).
 - c. Cliquez sur le dossier « Driver » (Pilote)
 - d. Cliquez sur le « LiftMasterCAP2DDriverSupport
 - e. Permettre au programme de configuration d'utiliser les privilèges administratifs
 - f. Cliquez sur « Next » (Suivant)
 - d. Accepter tout dialogue d'avertissement
 - h. Cliquez sur Finish (Terminer)
 - i. Après l'installation, un message s'affichera vous demandant de redémarrer l'ordinateur. Il est possible de sélectionner « Reboot Later » (Redémarrer plus tard).
 - j. Enlever le câble USB de l'ordinateur et attendre que ce dernier reconnaisse le retrait.
3. Établir l'adresse IP statique:
 - a. Réinsérer ensuite le câble USB dans l'ordinateur et attendre que ce dernier reconnaisse le dispositif.
 - b. Ouvrir votre navigateur et saisir l'adresse <http://192.168.207.1> pour accéder à l'interface administrateur.
 - c. La page de connexion affiche:
 - d. L'identifiant de connexion est « cli ».
 - e. Le mot de passe est « new5cli ».
 - f. Cliquer sur l'onglet Networking (Mise en réseau).
 - g. Cliquer sur IP Configuration.
 - h. Cliquer sur le bouton « Deactivate DHCP » (désactiver DHCP)
 - i. Renseigner les champs selon ce qu'exige le personnel de TI.
 - j. Cliquer sur « Set Static Parameters » (Définir les paramètres statiques). Les changements ont été enregistrés.
4. Comment revenir à la configuration DHCP
 - a. Ouvrir votre navigateur et saisir l'adresse <http://192.168.207.1>.
 - b. La page de connexion affiche :
 - c. L'identifiant de connexion est « cli »
 - d. Le mot de passe est « new5cli ».
 - e. Cliquer sur l'onglet Networking (Mise en réseau).
 - f. Cliquer sur « IP Address Configuration » (Configuration de l'adresse IP). Cliquer sur le bouton « Activer DHCP » (Activer DHCP).
5. Pour vérifier la connectivité :
 - a. Ouvert myQ® Business™
 - b. Ajouter le CAP2D à une installation et confirmer que l'état est « en ligne »

Mode Admin

1. Connecter un ordinateur portable au port USB CAP2D ADMIN sur l'unité en utilisant un câble USB mini-B.
 - a. Le port CAP2D ADMIN est une interface USB permettant de connecter l'unité du CAP2D à un ordinateur portable ou de bureau afin d'avoir accès à l'interface administrative locale pour les services de débogage et de configuration manuelle.
 - b. Le port exige un câble USB mini-B entre l'ordinateur portable et l'unité du CAP2D.

Câblage de la demande de sortie (REX) et des actionneurs de portes/ de barrières LiftMaster.

1. Câbler le bornier de la demande de sortie et de la porte.
 - a. Connecter les contacts normalement ouverts (NO) du dispositif de demande de sortie REX aux bornes REX et COM. Activer les paramètres de demande de sortie dans l'onglet de réglages de la porte à myQbusiness.com. Sélectionner l'état [x] NO (normalement ouvert).
 - Lorsque l'interrupteur se ferme, il entreprend une séquence du programme de demande de sortie (REX), y compris l'option d'activer la porte ou les autres relais, les barres antipanique et coupe-feu, et de supprimer les messages de « porte forcée ».
 - b. Connecter les contacts normalement fermés (NC) du capteur de porte aux bornes COM et CONTACT. Activer les paramètres de demande de sortie dans l'onglet de réglages de la porte à myQbusiness.com. Sélectionner l'état [x] N. C. (normalement Fermé).
 - Dans ce contexte, un interrupteur NC est considéré comme étant fermé lorsque la porte est fermée (aimant présent), et ouvert lorsque la porte est ouverte (aucun aimant présent).
 - Lorsque l'interrupteur est ouvert, le tableau de commande interprète cette entrée comme condition de « porte ouverte ». Lorsque l'interrupteur est fermé, le tableau de commande interprète cette entrée comme condition de « porte fermée ».
 - Ce circuit fournit de l'information sur l'état de la porte (ouverte/fermée) au tableau de commande de manière à ce que myQ® Business™ puisse prendre une mesure appropriée localement ou envoyer les notifications par courriel au besoin.
2. Câbler le bornier du RELAIS DE VERROUILLAGE DE LA PORTE.
 - a. Connecter le verrou de la porte à la borne COM et à la borne NO ou NC.
 - b. Le RELAIS DE VERROUILLAGE DE LA PORTE fournit des contacts NO (normalement ouvert) et NC (normalement fermé), et est entraîné en réponse à la présentation d'identifiants valides ou à l'entrée REX programmable.
 - c. La détermination du moment propice et d'autres aspects de l'activation du relais sont programmés par le biais de myQ.
3. S'il est utilisé pour un shunt d'alarme, câbler le bornier du RELAIS AUX 1. S'il n'est pas utilisé pour un shunt d'alarme, le RELAIS AUX 1 peut être utilisé à plusieurs fins. Activer le paramètre [x] Use Aux Relay (Utiliser le relais aux.) dans l'onglet de réglages de la porte à myQbusiness.com.

AVERTISSEMENT

Il existe une limite de 3 A, 24 V c. c. du courant de transit pour tous les relais.

Câblage de la demande de sortie et des actionneurs de portes/barrières LiftMaster (suite)

4. Câbler le RELAIS AUX 2. Tout comme le RELAIS AUX 1, ce bornier peut être utilisé à plusieurs fins. Activer le paramètre [x] Use Aux Relay (Utiliser le relais aux.) dans l'onglet de réglages de la porte à myQbusiness.com.

REMARQUE : Les RELAIS AUX entièrement programmables fournissent des contacts NO (normalement ouvert) et NC (normalement fermé).

5. Câbler le lecteur à l'entrée Wiegand des bornes dans ce nœud de porte.

REMARQUE : Consulter le guide de câblage fourni avec le lecteur/clavier pour les schémas de câblage.

- a. Utiliser le câble recommandé par le fabricant du lecteur ou du clavier utilisé. Si aucun câble n'est recommandé, utiliser un câble de calibre 22 AWG au minimum avec des conducteurs suffisants qui comprennent un blindage (drainage).
 - b. L'interface du lecteur utilise les conventions de câblage Wiegand standards. Connecter le câble de manière appropriée au bornier sur le nœud approprié de la carte. Un guide de câblage typique, mais non universel, est présenté ici. Consulter le guide de câblage fourni avec le lecteur/clavier concernant les directives relatives à votre lecteur ou clavier particulier.
 - **Connecter le fil vert du lecteur à la borne DATA0. Il s'agit du circuit standard DATA0 pour les lecteurs Wiegand.**
 - **Connecter le fil blanc du lecteur à la borne DATA1. Il s'agit du circuit standard DATA1 pour les lecteurs Wiegand.**
 - **Connecter le fil noir du lecteur à la borne de masse (GND). Il s'agit du circuit standard de masse pour le lecteur.**
 - **Connecter le fil du lecteur bleu à la borne BUZZ. Il s'agit du circuit standard d'avertisseur sonore pour le lecteur Wiegand.**
 - **Connecter le fil rouge du lecteur à la borne 12VDC. Cela fournit +12 V c. c. pour alimenter le lecteur.**
 - **Connecter le fil orange du lecteur à la borne GRN LED. Il s'agit du circuit de la DEL verte.**
 - **Connecter le fil brun du lecteur à la borne RED LED. Il s'agit du circuit de la DEL rouge.**
6. Installation des varistances..
- a. Installer la varistance sur les bornes NC et Commun, aussi près que possible de la gâche ou du verrou électrique. Elle sera normalement placée au raccordement du câblage installé sur place à la spirale de raccord ou aux bornes à vis de la gâche ou du verrou électronique.
 - b. Utiliser le câble recommandé par le fabricant de la barre antipanique ou du verrou électrique. Si aucun câble n'est recommandé, utiliser un câble de calibre 18 AWG au minimum avec des conducteurs suffisants pour la gâche ou le verrou électronique particulier.



AVERTISSEMENT

Installer le dispositif de suppression du bruit transitoire (varistance) fournie avec le tableau de commande.

Fonctionnement

Fonctionnement de veille normal : Le CAP2D est toujours prêt à l'emploi et surveille ses entrées pour détecter tout changement. Si une entrée quelconque change d'état, le CAP2D réagit localement et communique le changement à myQ® Business™.

Fonctionnement du lecteur/clavier : Le CAP2D a été conçu pour fonctionner avec un lecteur et un clavier approuvés utilisant le format Wiegand standard de 26 bits. Certains claviers peuvent utiliser le format ASCII pour communiquer les codes d'entrée.

Consulter le schéma de câblage pour la connexion physique au CAP2D. Consulter le manuel du lecteur et du clavier pour le mode d'emploi complet.

Accès accordé/refusé : Lorsqu'un identifiant valide est présenté, l'accès est accordé sans rétroaction audio ou visuelle du CAP2D. Certains dispositifs accessoires peuvent fournir une rétroaction. P. ex. un lecteur de carte ou un récepteur peut émettre un bip ou une DEL peut changer de couleur pour communiquer l'état du dispositif.

Valider le bon fonctionnement du dispositif : Tester chaque type d'identifiant et vérifier le bon comportement de chaque barrière/porte connectée au CAP2D.

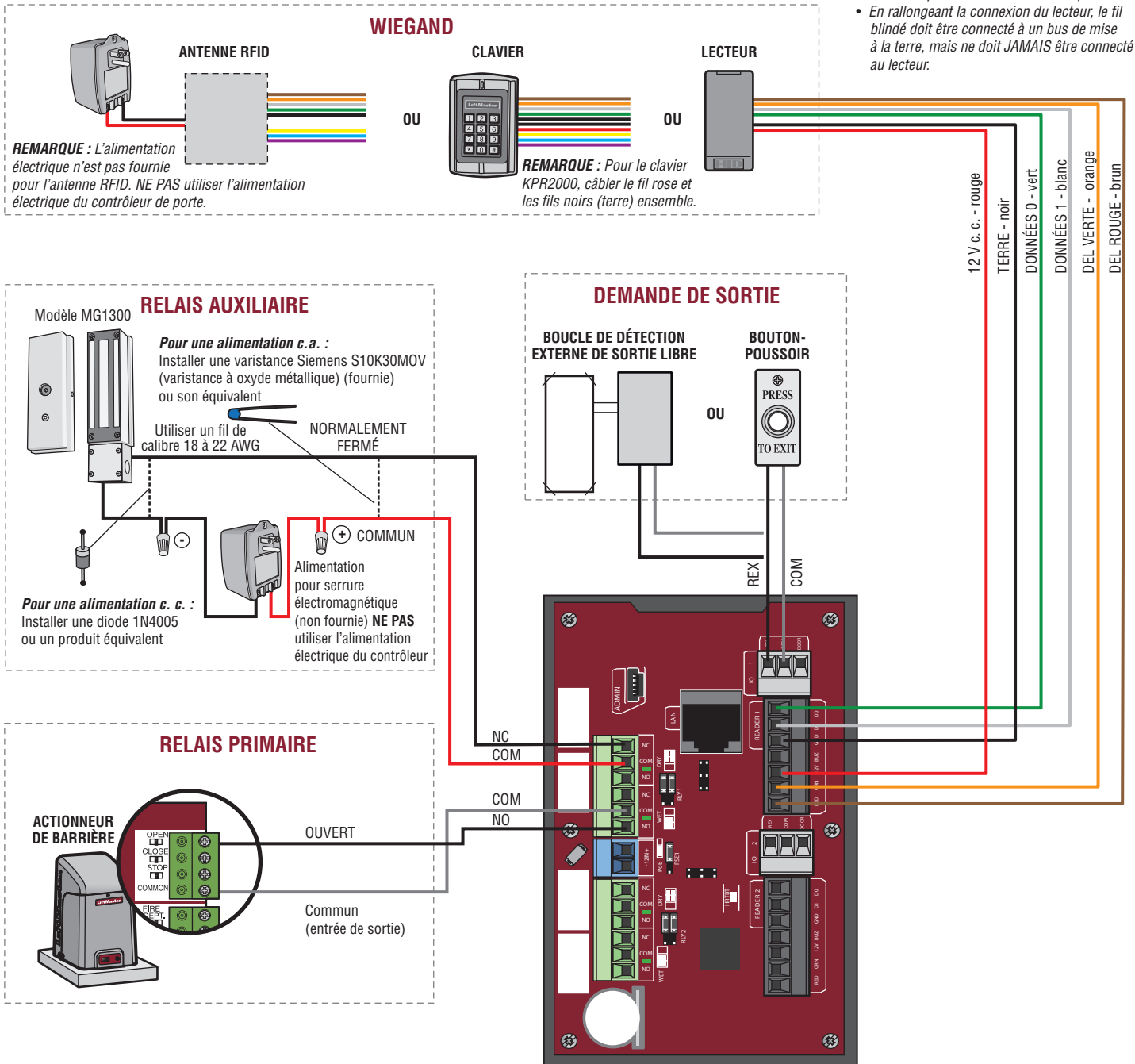
Accès à la barrière

Déconnecter l'alimentation **AVANT** d'effectuer toute connexion électrique. Un exemple de configuration du câblage est fourni ci-dessous pour l'accès à la barrière. L'accès à la barrière peut être câblé à la porte 1 ou 2.

REMARQUE : Les sources d'alimentation doivent être homologuées UL commercial 294 ou 603 à sortie limitée de puissance.

REMARQUES :

- La longueur des fils non blindés doit être minimale pour éviter le bruit électrique.
- En rallongeant la connexion du lecteur, le fil blindé doit être connecté à un bus de mise à la terre, mais ne doit JAMAIS être connecté au lecteur.



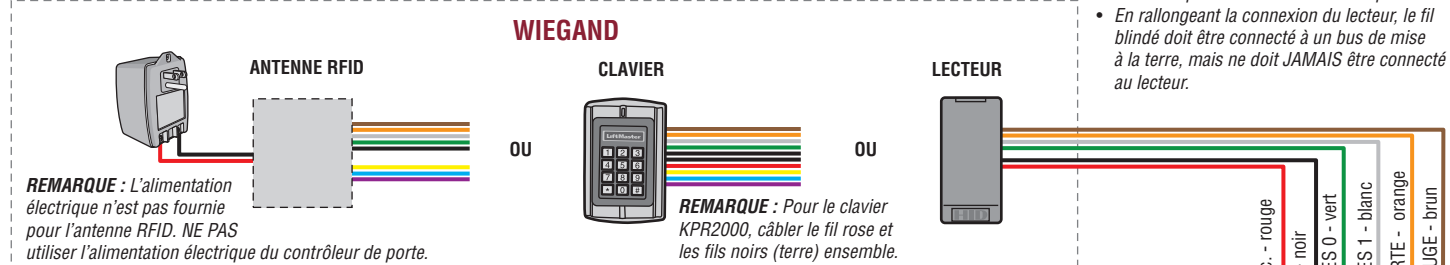
Accès à la porte

Déconnecter l'alimentation AVANT d'effectuer toute connexion électrique. Un exemple de configuration du câblage est fourni ci-dessous pour l'accès à la porte. L'accès à la porte peut être câblé à la porte 1 ou 2.

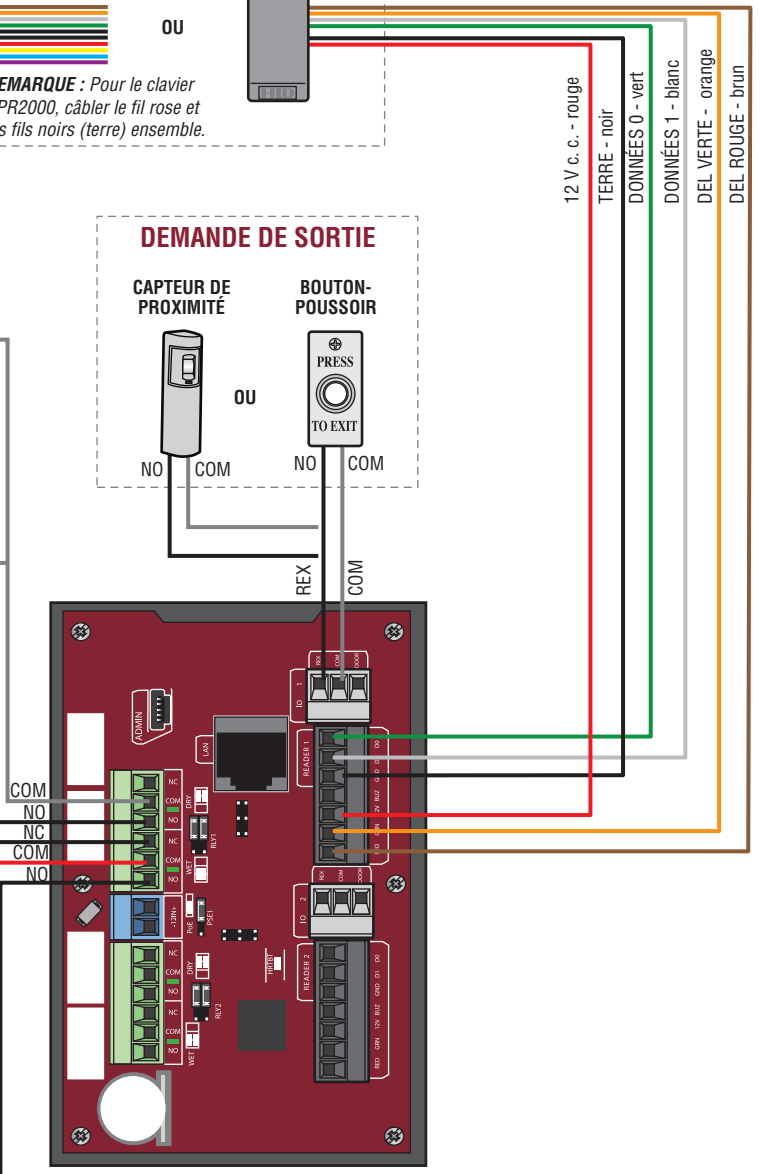
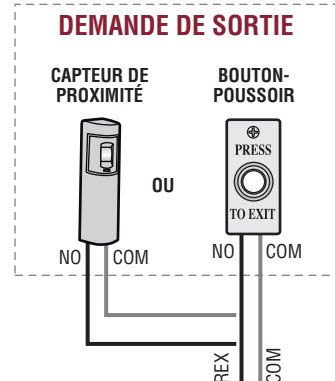
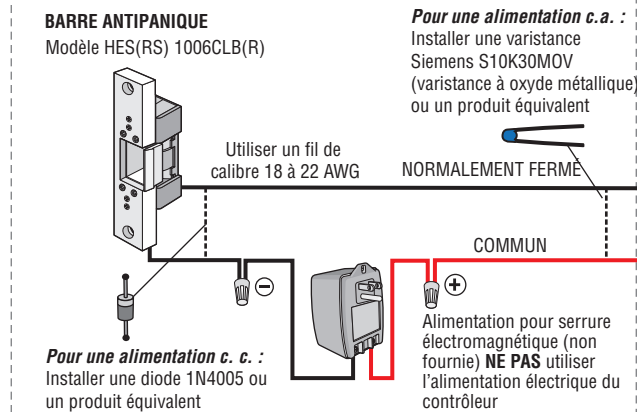
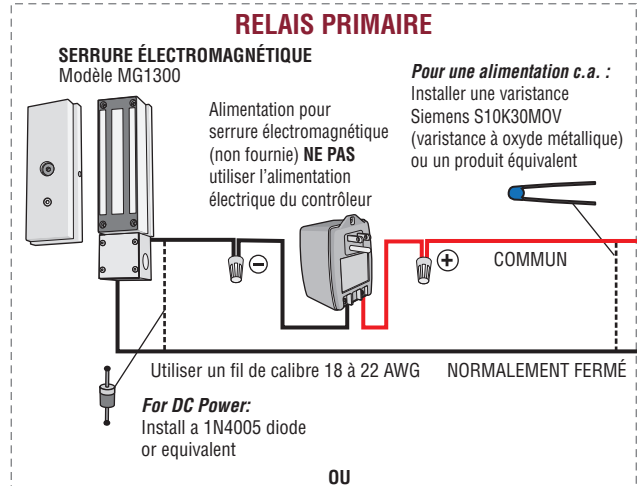
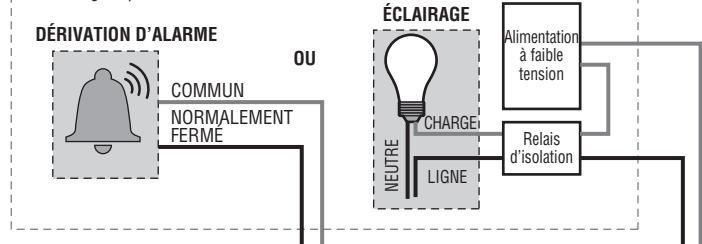
NOTE: Les sources d'alimentation doivent être homologuées UL commercial 294 ou 603 à sortie limitée de puissance.

REMARQUES :

- La longueur des fils non blindés doit être minimale pour éviter le bruit électrique.
- En rallongeant la connexion du lecteur, le fil blindé doit être connecté à un bus de mise à la terre, mais ne doit JAMAIS être connecté au lecteur.



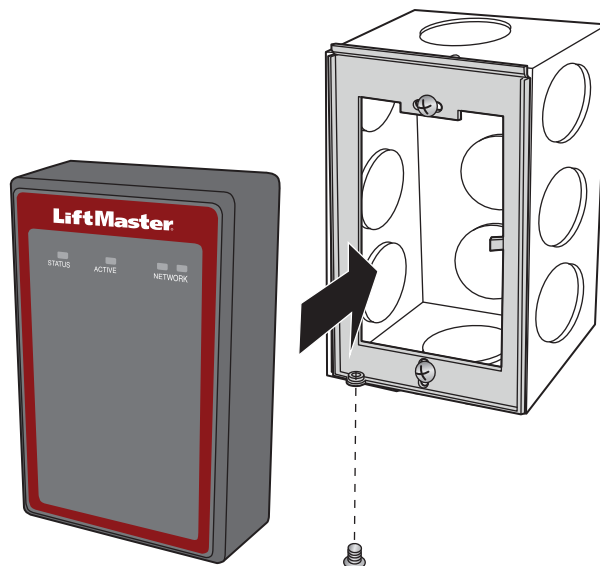
RELAIS AUXILIAIRE
 REMARQUES : NE PAS acheminer de fils d'alimentation haute tension dans l'enceinte du CAP2D. Cette configuration n'a pas été évaluée par l'UL. Utiliser des sources d'alimentation limitées homologuées par l'UL et des relais d'isolation homologués par l'UL.



1 Installation du CAP2D

1. S'assurer que tout le câblage est bien rangé dans le coffret de branchement.
2. Glisser le CAP2D sur le support et le fixer avec la vis.

REMARQUE : Les unités de commande doivent être montées dans un endroit protégé. Le dispositif de sortie REX et le câblage doivent contenus dans la zone sécurisée.



Valider le bon fonctionnement du dispositif : Tester chaque type d'identifiant et vérifier le bon comportement de chaque barrière/porte connectée au CAP2D. Des identifiants valides et les entrées de demande de sortie devraient déclencher le relais. Aller à myQBusiness.com pour la programmation et la vérification de l'activité et de l'état du CAP2D.

Accessoires

ARTICLE	NUMÉRO DE PIÈCE
Clavier/lecteur de proximité à l'épreuve de l'eau	KPR2000
Lecteur RFID de longue portée UHF	LMSC1000

Dépannage

Le CAP2D ne se met pas sous tension après avoir connecté un transformateur de 12 V c. c.

Vérifier la position du cavalier PoE. Déplacer le cavalier à la position supérieure.

Le relais ne se déclenche pas lorsqu'un identifiant est présenté.

Vérifier l'alimentation; les DEL sont-elles allumées? Vérifier le bon fonctionnement des dispositifs et connexions d'entrée. Vérifiez le journal d'activité myQ® Business™ pour aider à établir le diagnostic.

J'ai reçu un courriel m'informant que le CAP2D n'était pas en ligne.

Vérifiez myQ® Business™ pour connaître le dernier état en ligne / hors ligne. Si le dispositif est hors ligne, vérifiez la connexion locale à internet et l'alimentation électrique au CAP2D. Parfois, cela se déclenche également lors de la maintenance régulière des serveurs myQ® Business™. Le CAP2D stocke la base de données localement et continue de fournir un contrôle de l'accès sans connexion à internet. Les changements d'activité et de base de données ne sont échangés avec myQ® Business™ que lorsque CAP2D est en ligne.

Coordonnées d'assistance

CGI - PROFESSIONAL	ACCESSIBILITÉ
Web	LiftMaster.com
FAQ	Support.Partner.LiftMaster.com/s/
Installation du revendeur et vidéos d'assistance myQ® Business™	YouTube.com/LiftMasterSupport
Assistance commerciale et professionnelle : 800 528-2806	Lun-ven 5 h 00 à 18 h 00 HNR
Académie de formation LiftMaster	LiftMasterTraining.com
Portail des partenaires	Partner.LiftMaster.com/login

 Pour la programmation myQ® Business™, aller à www.myqbusiness.com

Feuille de configuration

Noter l'information sur le dispositif et les paramètres de configuration ci-dessous.

Nom du contrôleur :
<i>REMARQUE: Tout utilisateur de ce système est soumis aux conditions décrites dans l'accord d'utilisation du produit.</i>
Remarques :

CONFIGURATION DU DISPOSITIF :

PORTE 1	NOM DE LA PORTE/BARRIÈRE :		
ENTRÉES	WIEGAND	DEMANDE DE SORTIE (REX)	ÉTAT
			AVAL (O/N)
SORTIES	RELAIS PRIMAIRE		RELAIS AUXILIAIRE
	N.O.	N.F.	N.O. N.F.
Remarques :			

PORTE 2	NOM DE LA PORTE/BARRIÈRE :		
ENTRÉES	WIEGAND	DEMANDE DE SORTIE (REX)	ÉTAT
			AVAL (O/N)
SORTIES	RELAIS PRIMAIRE		RELAIS AUXILIAIRE
	N.O.	N.F.	N.O. N.F.
Remarques :			

Avis de non-responsabilité

Conformité à la Federal Communications Commission (FCC)

Cet appareil a été testé et déclaré conforme aux limites d'un dispositif numérique de Classe B, conformément à la partie 15 du règlement de la FCC. Ces limites sont prévues pour fournir une protection raisonnable contre les interférences nuisibles avec une installation résidentielle ou lorsque l'équipement est utilisé dans un environnement commercial. Cet équipement génère, utilise et peut émettre des fréquences radio et, s'il n'est pas installé et utilisé conformément aux instructions, peut causer un brouillage nuisible aux communications radio. Cependant, rien ne garantit l'absence de brouillage dans une installation particulière. Si cet équipement cause un brouillage nuisible à la réception radio ou télévisée, ce qui peut être déterminé en éteignant et en rallumant l'équipement, l'utilisateur est invité à tenter de corriger le brouillage en prenant l'une des mesures suivantes :

- Augmenter la distance entre l'équipement et le récepteur.
- Connecter l'équipement à un circuit autre que celui auquel le récepteur est connecté.
- Consulter le concessionnaire pour obtenir de l'aide.

Canada - Conformité à Underwriters Laboratories (C-UL)

Pour les applications homologuées C-UL, le contrôleur doit être installé conformément à la partie 1 du Code canadien de l'électricité.

Déni de responsabilité et restrictions concernant la documentation

L'information contenue dans ce document peut être modifiée sans préavis et ne constitue pas un engagement de la part de LiftMaster. Pour les prix courants les plus récents, aller à www.LiftMaster.com.

Ce document et les données fournies aux présentes ne doivent pas être copiés, utilisés ou divulgués à d'autres personnes à des fins d'approvisionnement ou de fabrication, sauf en cas de permission écrite de la part de LiftMaster. L'information contenue dans ce document ou au sein du produit lui-même est considérée comme la propriété exclusive de LiftMaster. Toute information, dans ce document ou dans le matériel et les produits logiciels eux-mêmes, est protégée par droit d'auteur et/ou d'autres lois des États-Unis sur la propriété intellectuelle

Unité de contrôle d'accès UL 294 de niveau 1 (Attaque, Sécurité de ligne, Veille, Endurance)

AVIS : Les règles de la FCC et/ou d'Innovation, Sciences et Développement économique Canada (ISDE) interdisent tout ajustement ou toute modification de ce récepteur. IL N'EXISTE AUCUNE AUTRE PIÈCE SUSCEPTIBLE D'ÊTRE ENTRETENUE PAR L'UTILISATEUR. Tout changement ou modification non expressément approuvés par la partie responsable de la conformité pourrait annuler l'autorité de l'utilisateur d'utiliser l'équipement.

Cet appareil est conforme aux dispositions de la partie 15 du règlement de la FCC et de l'exemption de licence IC RSS-210. L'utilisation est assujettie aux deux conditions suivantes : (1) ce dispositif ne peut causer de brouillage nuisible, et (2) ce dispositif doit accepter tout brouillage reçu, y compris tout brouillage pouvant causer un fonctionnement indésirable.

Cet appareil numérique de classe B est conforme à la norme ICES-003 du Canada.

Cet appareil a été testé et déclaré conforme aux limites d'un dispositif numérique de Classe B, conformément à la partie 15 du règlement de la FCC. Ces limites ont pour but de fournir une protection raisonnable contre le brouillage nuisible dans une installation résidentielle. Cet équipement génère, utilise et peut émettre des fréquences radio et, s'il n'est pas installé et utilisé conformément aux instructions, peut causer un brouillage nuisible aux communications radio. Cependant, rien ne garantit l'absence de brouillage dans une installation particulière. Si cet équipement cause un brouillage nuisible à la réception radio ou télévisée, ce qui peut être déterminé en éteignant et en rallumant l'équipement, l'utilisateur est invité à tenter de corriger le brouillage en prenant l'une des mesures suivantes :

- Réorienter ou déplacer l'antenne de réception.
- Augmenter la distance entre l'équipement et le récepteur.
- Connecter l'équipement dans une prise de courant sur un circuit différent de celui auquel le récepteur est branché.
- Pour obtenir de l'aide, consulter le détaillant ou un technicien radio chevronné.
- Cet appareil doit être installé de manière à laisser une distance d'au moins 20 cm (8 po) entre celui-ci et l'utilisateur ou toute personne.

Garantie

LiftMaster garantit à l'acheteur initial de ce produit pour la structure dans laquelle ce produit est originalement installé, que le produit est exempt de tout défaut matériel ou de fabrication pour une période de deux (2) ans à compter de la date d'achat.

Le bon fonctionnement de ce produit dépend de la conformité de l'utilisateur aux instructions relatives à l'installation, au fonctionnement, à l'entretien et aux mises à l'essai. Tout défaut de se conformer strictement à ces instructions annulera la présente garantie limitée dans son intégralité.

Si, au cours de la période de garantie limitée, ce produit semble présenter un défaut couvert par la présente garantie limitée, appeler le 1 800 528 9131 sans frais, avant de démonter le produit. Envoyer ensuite le produit, en port payé et assuré, à notre centre de service pour que la réparation soit couverte par la garantie. Les produits retournés au vendeur pour une réparation couverte sous garantie qui, après réception par le vendeur, sont déclarés défectueux et couverts par la présente garantie limitée, seront remplacés (à la discrétion du vendeur) sans frais et retournés port payé. Les pièces défectueuses seront réparées ou remplacées par des pièces neuves ou réusinées, à la seule discrétion du vendeur.

LA PRÉSENTE GARANTIE LIMITÉE REMPLACE TOUTE AUTRE GARANTIE, EXPRESSE OU IMPLICITE, NOTAMMENT TOUTE GARANTIE IMPLICITE DE QUALITÉ MARCHANDE OU D'ADAPTATION À UN BUT PARTICULIER, OU AUTRE, ET TOUTE AUTRE OBLIGATION OU RESPONSABILITÉ DE LA PART DU VENDEUR. LA PRÉSENTE GARANTIE LIMITÉE NE COUVRE PAS LES DOMMAGES QUI NE SONT PAS DUS À UN DÉFAUT, CEUX CAUSÉS PAR UNE MAUVAISE INSTALLATION, UNE UTILISATION OU UN ENTRETIEN INADÉQUAT (INCLUANT, NOTAMMENT, LES AVARIES DUES À UN MAUVAIS TRAITEMENT, UN USAGE NON APPROPRIÉ, L'ABSENCE D'ENTRETIEN RAISONNABLE ET NÉCESSAIRE, DES RÉPARATIONS NON AUTORISÉES OU TOUTE MODIFICATION À CE PRODUIT), LES FRAIS DE MAIN-D'ŒUVRE POUR LA RÉINSTALLATION D'UNE UNITÉ RÉPARÉE OU REMPLACÉE, OU LE REMPLACEMENT DES BATTERIES.

LE VENDEUR NE SERA EN AUCUN CAS TENU RESPONSABLE DES DOMMAGES-INTÉRÊTS PARTICULIERS OU INDIRECTS RÉSULTANT DE L'UTILISATION OU DE L'INAPTITUDE À UTILISER CE PRODUIT CORRECTEMENT. EN AUCUN CAS, LA RESPONSABILITÉ DU VENDEUR POUR RUPTURE DE GARANTIE, RUPTURE DE CONTRAT, NÉGLIGENCE OU RESPONSABILITÉ ABSOLUE NE DÉPASSERA PAS LE COÛT DU PRODUIT COUVERT AUX PRÉSENTES. NUL N'EST AUTORISÉ À ASSUMER POUR NOUS D'AUTRES RESPONSABILITÉS RELATIVEMENT À LA VENTE DE CE PRODUIT.

Certains États et provinces n'acceptant pas l'exclusion ou les restrictions relatives aux dommages immatériels, accessoires ou dommages-intérêts particuliers, les restrictions ou exclusions figurant dans la présente garantie pourraient ne pas s'appliquer à l'acheteur. Cette garantie limitée confère à l'acheteur certains droits particuliers et celui-ci pourrait avoir d'autres droits qui varient selon l'État ou la province dans lequel ou laquelle il réside.

Toutes les marques de commerce, marques de service et noms de produit ou de service sont des marques de commerce ou déposées de leurs propriétaires respectifs.

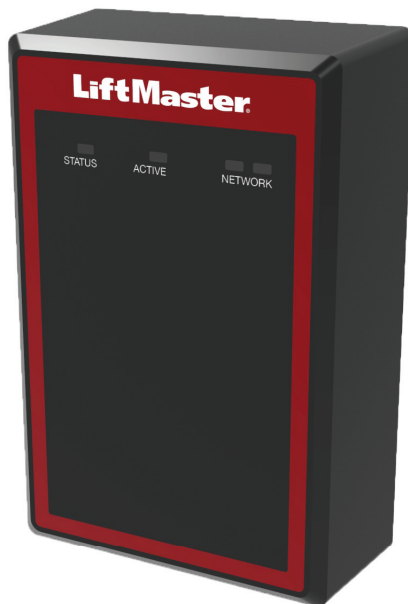
© 2019 LiftMaster
Tous droits réservés

myQ® Business™

Portal de acceso conectado, controlador de 2 puertas

MANUAL DE INSTALACIÓN

Modelo CAP2D



LiftMaster®

INTRODUCCIÓN

i

- Seguridad..... 3
- Descripción general del controlador..... 4
- Descripción general del tablero de control..... 4
- Inventario de la caja..... 5
- Herramientas necesarias..... 5
- Dimensiones..... 5
- Especificaciones..... 6
- Clasificación eléctrica..... 6
- Especificaciones del cable..... 7

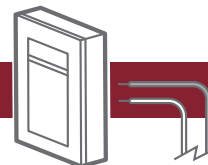
1 PREINSTALACIÓN

- Servicio de Internet..... 8
- N.º de panel de control para el controlador..... 8
- Configurar una cuenta myQ® Business™..... 8
- Montaje de la ménsula..... 9



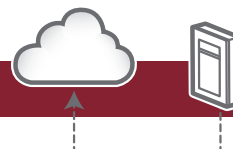
2 CABLEADO

- Conecte la alimentación eléctrica..... 10



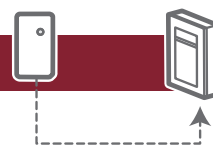
3 LA RED

- Conecte Internet..... 11



4 CONTROL DE ACCESO

- Modo Administrador..... 12
- Cableado de REX y puertas..... 12
- Operación..... 14
- Acceso de portón..... 15
- Acceso de puerta..... 16



5 INSTALACIÓN

- Instale el CAP2D..... 17
- Resolución de problemas..... 18
- Hoja de configuración**..... 18
- Exenciones de responsabilidad legal**..... 19
- Garantía**..... 19



Seguridad

Revisión de los símbolos de seguridad y palabras clave

Estas advertencias y/o símbolos de seguridad que aparecen a lo largo de este manual le alertarán de la existencia de riesgo de una lesión seria o de muerte si no se siguen las instrucciones correspondientes. El peligro puede ser eléctrico (electrocución) o mecánico. Lea detenidamente estas advertencias.

Cuando vea esta palabra de advertencia en las páginas siguientes, se le alertará sobre la posibilidad de dañar la puerta o el operador de la puerta si no sigue las precauciones correspondientes. Lea las instrucciones con mucho cuidado.

ADVERTENCIA

MECÁNICO

ADVERTENCIA

ELECTRICIDAD

PRECAUCIÓN

ADVERTENCIA

Para reducir el riesgo de LESIONES GRAVES o la MUERTE:

- Desconecte la alimentación eléctrica en la caja de fusibles ANTES de continuar.
- Para EVITAR dañar las tuberías de gas, energía u otros servicios subterráneos, póngase en contacto con las empresas de servicios ANTES de realizar una excavación.
- TODAS las conexiones eléctricas DEBEN ser realizadas por una persona capacitada.
- TODO el cableado de alimentación eléctrica y de control se DEBE instalar en conductos separados.

Para proteger contra incendios y electrocución:

- Desconecte toda la alimentación ANTES de instalar o realizar el mantenimiento del controlador.
- NUNCA conecte un teclado/lector o seguro a las puertas sin antes consultar el código de incendios aplicable.
- ANTES de instalar seguros o dispositivos en CUALQUIER puerta que pudiera ser una salida de emergencia DEBE consultar a los bomberos locales y obtener su aprobación.
- El uso de pulsadores para puertas de salida puede no ser legal. Es posible que se requieran salidas de una sola acción.
- Obtenga SIEMPRE las aprobaciones y los permisos adecuados por escrito ANTES de instalar un equipo.



ADVERTENCIA: Este producto puede exponerle a productos químicos (incluido el plomo), que a consideración del estado de California causan cáncer, defectos congénitos u otros daños reproductivos. Para más información, visite www.P65Warnings.ca.gov.

CONFORMIDAD CON UNDERWRITERS LABORATORIES (UL):

El CAP2D cumple el Estándar UL294 para las unidades de control de acceso con las siguientes restricciones:

- Los contactos del relé del sistema no se deben configurar en el modo a prueba de fallos a menos que la autoridad local que tenga jurisdicción lo permita y no interfiera con el funcionamiento del hardware de pánico.
- El puerto Ethernet es para uso complementario únicamente, la unidad seguirá operando de manera autónoma si la conexión a la red se interrumpe.
- Esta unidad puede recibir alimentación mediante un hardware compatible con alimentación a través de Ethernet. Si se usa una fuente de alimentación PoE, esta deberá cumplir el estándar UL294.
- Todos los dispositivos de interconexión deben tener certificación UL.

ADVERTENCIA

NO INSTALE EL SISTEMA EN EL MODO A PRUEBA DE FALLOS A MENOS QUE LA AUTORIDAD COMPETENTE LO PERMITA. De hacerlo, puede causar interferencia con el funcionamiento de la barra antipánico.

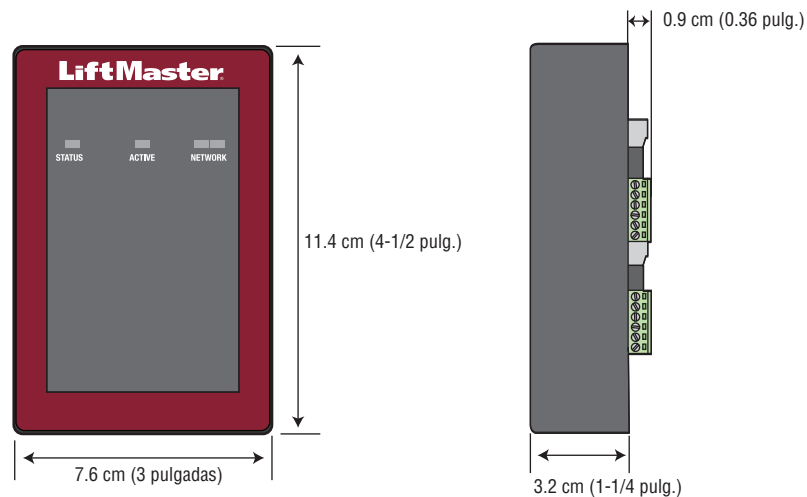
Inventario de la Caja

- Controlador de puerta
- Cable USB
- Diodos
- Manual de instalación

Herramientas Necesarias

- Destornillador Phillips PH2
- Destornillador Phillips de precisión de 1/8" plano o PH0
- Llave de tuerca de 1/4"
- Taladro/atornillador
- Broca de 7/64"
- Puntas de taladro martillo para taladro/atornillador
- Pinza engarzadora para conectores RJ45
- Multímetro
- Cinta de medir
- Dobladora de Conductos
- Escariador/avellanador de conductos
- Sierra para metales
- Herramienta de punzón
- Martillo

Dimensiones



Especificaciones

Capacidad del CAP2D	Capacidad para 25,000 residentes/Historial de 6,000 eventos locales
Rango de temperatura de servicio del CAP2D	De -35°C a 66°C (de -31°F a 150°F)
CAP2D Humedad de servicio	5% a 95% sin condensación
Rango de temperatura de almacenamiento y envío	-40°F a <185°F (-40°C a <85°C)
Entradas Wiegand (2)	*Estándar SIA de 26 bits, Sentex de 30 bits, Mifare de 32 bits, HID de 37 bits con código de las instalaciones, Transcore de 37 bits. También admite ASCII para teclados Wiegand.
2 Salidas de relé principales y 2 auxiliares	SPDT
Compatibilidad de los accesorios	Consulte la página de accesorios para saber cuáles son los accesorios compatibles.
Compatibilidad de la red	Ethernet 10/100
Especificaciones del cable	Ethernet cable RJ-45
Configuración del conector de suministro PoE	Alternativa B

***NOTA:** Solo es compatible con UL en 26 bits.

Clasificación Eléctrica

ALIMENTACIÓN	VOLTAJE	POTENCIA (MÍN.)
Entrada auxiliar	12 VCC	13 Vatios
Alimentación a través de Ethernet	44-57 VCC	13 Vatios

SALIDA	VOLTAJE	CORRIENTE (MÁX.)
Relés (húmedos)	12 VCC	750 mA (combinados)
Lectores Wiegand	12 VCC	750 mA (combinados)
Relés (inductivos-secos)	13 VCC (máx.)	2,000 mA

NOTA: El controlador IP de la puerta se debe conectar a una fuente de alimentación 294 o 603 comercial con certificación UL para Auxiliar, o a una fuente de potencia con certificación PoE 294/294b y certificación UL para Alimentación a través de Ethernet.

Especificaciones del cable

Use este cuadro para tender los cables en la preparación de su instalación.

DESCRIPCIÓN DEL TENDIDO DE CABLES	ESPECIFICACIONES DEL CABLE	DISTANCIA DE DESPLAZAMIENTO MÁXIMO
Cable de potencia, salida secundaria de CC	2 conductores 14 AWG 2 conductores 16 AWG 2 conductores 18 AWG	Hasta 18.3 m (60 pies) Hasta 11.3 m (37 pies) Hasta 7.3 m (24 pies)
Red de área local (LAN) Cable de red CAT 5/6	8 Conductores, 24 AWG de par trenzado	100 m* (328 pies)
Cerradura de la puerta/Operador de portón LiftMaster	2 Conductores de 18-22 AWG blindados	100 - 250 pies (30.5 - 76.2 M)
Bloqueo magnético	2 Conductores de 18-22 AWG	50 - 125 pies (15.2 - 38.1 M)
Cierre de contacto seco (la mayoría de los operadores de portón)	2 Conductores de 18-22 AWG blindados	500 - 2500 pies (152.4 - 762 M)
Pedido de salida (REX)	2 Conductores de 18-22 AWG	500 pies (152.4 M)
Entrada supervisada	2 Conductores de 18-22 AWG	500 pies (152.4 M)
Lectores Wiegand/de proximidad	7 Conductores de 18-22 AWG blindado	500 pies (152.4 M)

NOTA: El cableado de alimentación eléctrica y de control se DEBE instalar en conductos separados. Los conductos deben estar aprobados por UL para alto y bajo voltaje. Consulte el NEC, ANSI / NFPA 70 para conocer los requisitos de cableado adicionales.

NOTA: Coloque la unidad CAP2D dentro de los 152.4 m (500 pies) de su cerradura o pestillo electrónicos asociados. El software de monitoreo no fue evaluado por UL.

Siempre suministre la energía desde una fuente dedicada. Enchufe el transformador que se suministra en un tomacorriente conectado a su propio interruptor automático de 10 amperios. Esto evitará dos problemas:

- Otros equipos no podrán introducir picos de tensión, ruido, sobretensión o caídas en el circuito de energía que afecten al sistema.
- La operación del sistema no estará afectada si cualquier otro equipo genera un cortocircuito a lo largo de la línea eléctrica.

* NOTAS DEL CABLE DE RED CATEGORÍA 5/6:

- Para las distancias exteriores que superen los 42.7 m (140 pies), se DEBE instalar en el controlador un protector de sobretensión primario que cumpla la norma UL497.
- Las distancias que superen los 100 m (328 pies) se pueden adaptar con herrajes adicionales. Comuníquese con el Soporte Técnico para obtener más información. Los herrajes adicionales no fueron evaluados bajo la norma UL294.

1 Servicio de Internet

El controlador se DEBE configurar con los ajustes de red adecuados para que funcione.

RED

Proveedor de servicio de Internet: _____

Dirección de IP automática: DHCP (configuración predeterminada)

0

Dirección de IP estática: Opcional, requiere conexión a una PC con USB (**NOTA:** Anote la siguiente información para referencia futura: IP, máscara de red, Gateway, Primario, Secundario, Puerto del servidor)

2 N.º de panel de control para el controlador

(Ubicado en una etiqueta en la carcasa)

IPC - _ _ - _ _ _ _ _



3 Configurar una cuenta myQ® Business™

NOTA: Si tiene una cuenta myQ® existente, su cuenta myQ® Business™ tendrá la misma contraseña.

1. Si no tiene una cuenta myQ® Business™, llame al Centro de Atención al Cliente de LiftMaster al 800.323.2276 para activar una cuenta myQ® Business™.
2. Recibirá un correo de bienvenida de LiftMaster. Acepte la invitación por correo electrónico y regístrese o inicie sesión en su cuenta.
3. Configure la instalación y agregue los residentes y las credenciales (consulte la Ayuda disponible en myQ® Business™).
4. Continúe con la instalación del CAP2D en este manual.

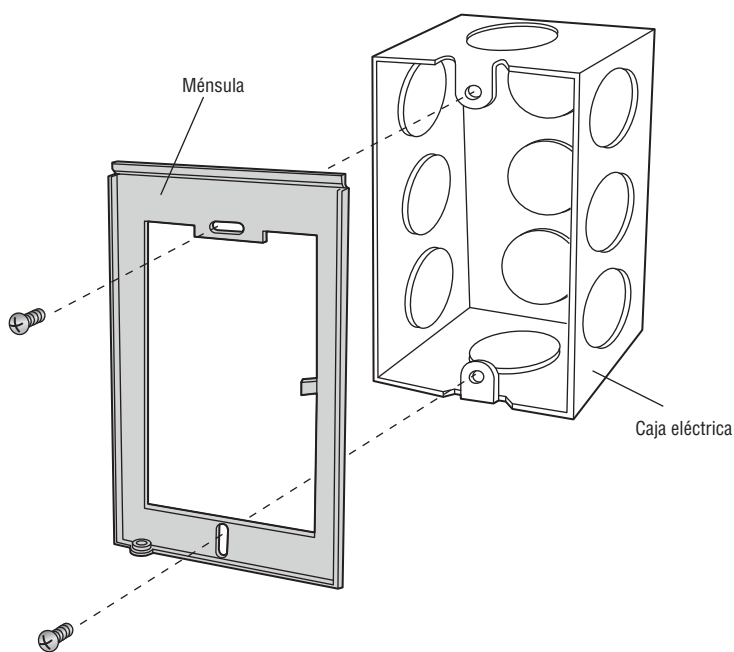
myQ®
business™

4 Montaje de la ménsula

1. Instale una caja eléctrica en la ubicación de montaje deseada.

NOTA: Use una caja eléctrica cuadrada de 4 po (mínimo de 1 1/2 po de profundidad) con un anillo de yeso de una sola unidad. Use Wiremold® V5744S o BW35 de Wiremold para las instalaciones de montaje en superficie.

2. Retire la ménsula de la parte posterior del CAP2D.
3. Monte la ménsula en la caja eléctrica.
4. Tienda todo el cableado a la caja eléctrica.
5. Una vez que ha completado todo el cableado, coloque el CAP2D en la ménsula y fíjelo en la parte inferior con el tornillo que se suministra.



1 Conecte la alimentación eléctrica

USANDO POE (ALIMENTACIÓN A TRAVÉS DE ETHERNET):

1. Conecte el cable Ethernet a la conexión LAN/PoE en la tarjeta de control.
2. Mueva el puente de PoE a la configuración de alimentación a través de Ethernet (PoE).

USO DE UNA FUENTE DE ALIMENTACIÓN DE CC:

El tomacorriente para el controlador DEBE ser un tomacorriente de 120 VCA dedicado externo ubicado dentro de 18.3 m (60 pies) del tendido de cable del controlador. Se recomienda conectar este tomacorriente a su propio interruptor automático de 10 amperios.

ESPECIFICACIÓN DE ALAMBRE	DISTANCIA MÁXIMA DE EJECUCIÓN
14 AWG	Hasta 18.3 m (60 pies)
16 AWG	Hasta 11.3 m (37 pies)
18 AWG	Hasta 7.3 m (24 pies)

1. Conecte un cable de 14 a 18 AWG a los cables pelados de salida secundaria de CC en el suministro eléctrico. El negro es negativo y el rojo es positivo.
2. Conecte los cables de la alimentación eléctrica al bloque de terminales +12IN- (rojo a + y negro a -).
3. Una vez que haya realizado todas las conexiones, enchufe la alimentación eléctrica a un tomacorriente de 120 Vca.

⚠️ ⚡ ADVERTENCIA

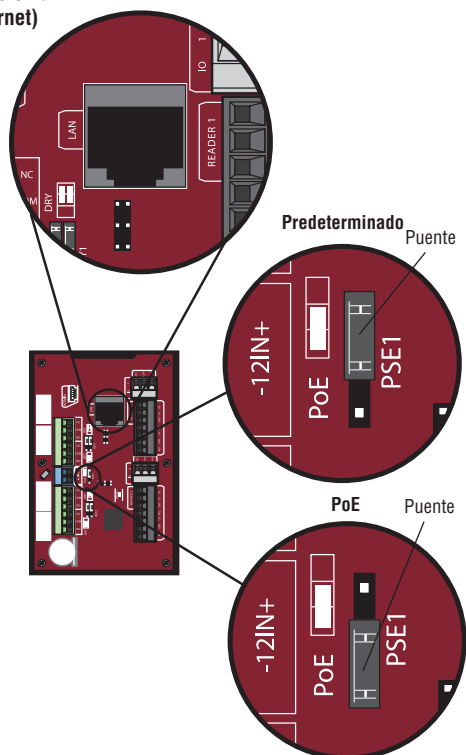
NO conecte un suministro de energía de CC si Alimentación a través de Ethernet (PoE) está seleccionado y conectado. La placa puede estar dañada y no está cubierta por la garantía.

⚠️ PRECAUCIÓN

- NO alimente cerraduras o pestillos electrónicos con el mismo suministro de energía que se usa para alimentar el panel de control de acceso; de hacerlo, ocasionará DAÑOS al controlador. Use ÚNICAMENTE una alarma antirrobo o un sistema de control de acceso certificados por las normas UL para alimentar las cerraduras o los pestillos electrónicos.
- NO conecte el suministro de energía a un tomacorriente conmutado o a un tomacorriente de CA controlado.
- NO conecte el suministro de energía a la salida de 120 Vca hasta que haya completado TODO el cableado.
- Instale el dispositivo de supresión de ruidos transitorio (MOV) que se suministra con el controlador para los dispositivos con alimentación de CA y el diodo para los dispositivos con alimentación de CC.

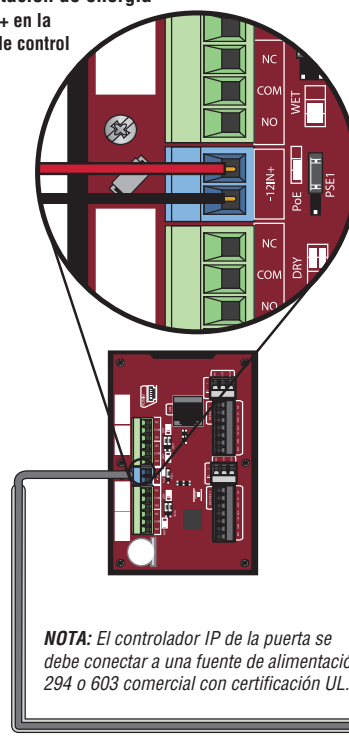
PoE (Alimentación a través de Ethernet)

Conector LAN (Ethernet)

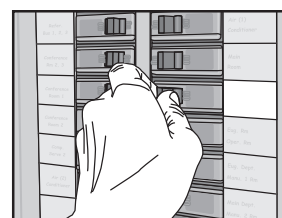


Alimentación de energía

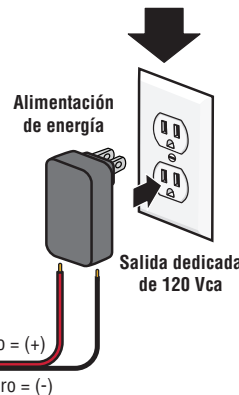
-12IN+ en la tarjeta de control



NOTA: El controlador IP de la puerta se debe conectar a una fuente de alimentación 294 o 603 comercial con certificación UL.



Circuito dedicado de 10 amperios como mínimo

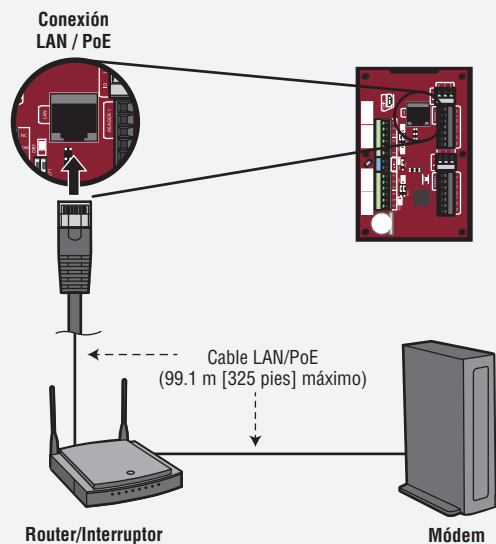


1 Conecte Internet

Conexión con LAN

El puerto de la Red de Área Local (LAN) es una interfaz Ethernet 10/100 con un conector RJ45 para conectar el CAP2D a un concentrador, interruptor o router para tener conectividad a Internet. Use un cable recto (es decir, no cruzado) Cat5, Cat5e o Cat6 para realizar la conexión a un concentrador, interruptor o router local. En este manual, este tipo de cable se denomina cable Ethernet.

1. Conecte un cable Ethernet desde el concentrador, interruptor o router al puerto LAN en la tarjeta de control. Cuando se realiza la conexión de manera adecuada, el LED verde o ámbar del concentrador Ethernet, interruptor o router se encenderá o parpadeará. Si el luz LED no se enciende, revise las conexiones en el controlador y en el concentrador Ethernet.
2. La conexión predeterminada es DHCP, no se requiere una configuración adicional. Si se requiere una dirección IP fija para su configuración, use el cable USB que se proporciona para conectar el controlador a un PC.



IP estática (Opcional)

LiftMaster recomienda usar el CAP2D en modo de IP dinámica (DHCP), pero se puede configurar con IP estática si es necesario.

Nota: Requiere Windows Vista o más reciente.

1. Conecte el CAP2D a su computadora portátil con el conector USB que se incluye. Conecte la alimentación al CAP2D usando un router/interruptor capaz de proporcionar Alimentación a través de Ethernet (POE) o la fuente de energía que se incluye. Si usa la fuente de energía que se incluye, mueva el puente de POE.
2. Instale los drivers USB
 - a. Vaya a "Computer" (Equipo)
 - b. Haga clic derecho en "LiftMaster CAP2D Resources" (Recursos del CAP2D LiftMaster)
 - c. Haga clic en la carpeta "Driver" (Controlador)
 - d. Click on the "LiftMasterCAP2DDriverSupport"
 - e. Permita que el programa de configuración use privilegios administrativos
 - f. Haga clic en "Next" (Siguiente)
 - d. Acepte cualquier diálogo de advertencia
 - h. Haga clic en "Finish" (Finalizar)
 - i. Después de la instalación, un mensaje le pedirá que reinicie su PC. Puede seleccionar "Reboot later" (Reiniciar más adelante).
 - j. Retire el cable USB de la PC y espere que la PC reconozca la extracción del cable.
3. Fije una dirección de IP estática:
 - a. A continuación, vuelva a introducir el cable USB en la PC y espere que la PC reconozca el dispositivo.
 - b. Abra su navegador e ingrese la dirección <http://192.168.207.1> para acceder a la interfaz del Administrador.
- c. Se mostrará la página de inicio de sesión:
 - d. El usuario es "cli".
 - e. La contraseña es "new5cli".
 - f. Haga clic en la pestaña "Networking" (Redes).
 - g. Haga clic en "IP Configuration" (Configuración de IP).
 - h. Haga clic en el botón "Deactivate DHCP" (Desactivar DHCP).
 - i. Llene los campos según lo indique el personal de IT.
 - j. Haga clic en "Set Static Parameters" (Establecer parámetros estáticos). Los cambios se han guardado.
4. Cómo volver a la configuración de DHCP
 - a. Abra su navegador e ingrese la dirección <http://192.168.207.1>
 - b. Se mostrará la página de inicio de sesión:
 - c. El usuario es "cli".
 - d. La contraseña es "new5cli".
 - e. Haga clic en la pestaña "Networking" (Redes).
 - f. Haga clic en "IP Address Configuration" (Configuración de dirección de IP). Haga clic en el botón "Deactivate DHCP" (Activar DHCP).
5. Para verificar la conectividad:
 - a. Abierto myQ® Business™
 - b. Agregue el CAP2D a una instalación y confirme que el estado sea "En línea"

Modo Administrador

1. Conecte una computadora portátil al puerto USB ADMIN del CAP2D en la unidad usando un cable Mini-B USB.
 - a. El puerto ADMIN del CAP2D es una interfaz USB para conectar la unidad CAP2D a una computadora portátil o PC para tener acceso a las utilidades de configuración manual y depuración de la interfaz administrativa local.
 - b. El puerto requiere un cable Mini-B USB para el acceso entre la computadora portátil y la unidad CAP2D.

Cableado de REX (Pedido de salida) y Operadores de puerta/portón LiftMaster

1. Conecte el REX y el bloque terminal de la PUERTA.
 - a. Conecte los contactos normalmente abiertos (NO) del dispositivo REX a las terminales REX y COM. Habilite los ajustes del Pedido de salida en la pestaña “Door Settings” (Ajustes de la puerta) en myQbusiness.com. Seleccione Estado [x] NO (Normalmente abierto).
 - Cuando el interruptor se cierra, inicia una secuencia del programa de Pedido de salida (REX), que incluye la opción de activar la puerta u otros relés, la cerradura de puerta y contra incendios y suprimir cualquier mensaje de “Puerta forzada”.
 - b. Conecte los contactos normalmente cerrados (NC) del sensor de la puerta a las terminales COM y CONTACT. Habilite los ajustes del Pedido de salida en la pestaña “Door Settings” (Ajustes de la puerta) en myQbusiness.com. Seleccione Estado [x] NC (Normalmente cerrado).
 - En este contexto, un interruptor NC se considera cerrado cuando la puerta está cerrada (el imán está presente), y abierto cuando la puerta está abierta (sin imán presente).
 - Cuando el interruptor está abierto, el panel de control interpreta esta entrada como una condición de “puerta abierta”. Cuando el interruptor está cerrado, el panel de control interpreta esta entrada como una condición de “puerta cerrada”.
 - Este circuito brinda información sobre el estado de la puerta (abierta/cerrada) al panel de control, de modo que myQ Business™ pueda adoptar una acción adecuada de manera local, o enviar notificaciones por correo electrónico si es necesario.
2. Conecte el bloque de terminales del RELÉ DE BLOQUEO DE LA PUERTA.
 - a. Conecte el pestillo de la puerta a la terminal COM y la terminal NO o NC.
 - b. El RELÉ DE BLOQUEO DE LA PUERTA brinda contactos NO (normalmente abierto) y NC (normalmente cerrado), y se activa en respuesta a la presentación de credenciales válidas o la entrada REX programable.
 - c. El tiempo y otros aspectos de la activación del relé se programan a través de myQ Business™.
3. Si se usa para un puente de alarma, conecte el bloque de terminales de RELÉ AUX 1. Si no se usa para un puente de alarma, el RELÉ AUX 1 se puede utilizar para diversos propósitos. Habilite [x] “Use Aux Relay” (Usar configuración de relé auxiliar) en la pestaña “Door settings” (Ajustes de la puerta) en myQbusiness.com.



ADVERTENCIA

Existe un límite de CC de 24 voltios, 3 amperios en la corriente para relés.

Cableado de REX y Operadores de puertas/portón LiftMaster (continuación)

4. Conecte el RELÉ AUX 2. Al igual que el RELÉ AUX 1, este bloque de terminales se puede usar para distintos propósitos. Habilite [x] "Use Aux Relay" (Usar configuración de relé auxiliar) en la pestaña "Door settings" (Ajustes de la puerta) en myQbusiness.com.

NOTA: Los RELÉS AUX totalmente programables brindan contactos NO (Normalmente abiertos) y NC (Normalmente cerrados).

5. Conecte el lector a la entrada Wiegand de terminales en este nodo de la puerta.

NOTA: Consulte la Guía de cableado que se suministra con el Lector/Teclado para ver los diagramas de conexión.

- a. Utilice el cable recomendado por el fabricante del lector o teclado. Si no hay recomendaciones de cables, utilice un cable de 22 AWG como mínimo, con conductores suficientes que incluyan blindaje (pérdida).
 - b. La interfaz del lector usa convenciones de cableado estándar Wiegand. Conecte el cable correctamente al bloque de terminales en el nodo adecuado de la tarjeta. A continuación se incluye una guía de cableado que no es universal, pero es típica. Consulte la Guía de cableado que se suministra con el Lector/Teclado para ver las pautas vinculadas con su lector o teclado específico.
 - Conecte el cable verde del lector a la terminal DATA0. Este es el circuito estándar de Data 0 para los lectores Wiegand.
 - Conecte el cable blanco del lector a la terminal DATA1. Este es el circuito estándar de Data 1 para los lectores Wiegand.
 - Conecte el cable negro del lector a la terminal GND. Este es el circuito estándar de Tierra para el lector.
 - Conecte el cable azul del lector a la terminal BUZZ. Este es el circuito estándar de Buzzer para el lector.
 - Conecte el cable rojo del lector a la terminal de 12 VCC. Esto proporciona +12 VCC para alimentar el lector.
 - Conecte el cable anaranjado del lector a la terminal GRN LED. Este es el circuito de LED verde.
 - Conecte el cable marrón del lector a la terminal RED LED. Este es el circuito de LED rojo.
6. Instale MOV.
- a. Instale el MOV en los terminales NC y Común, lo más cerca posible de la cerradura o enganche eléctricos. Esto normalmente se encontrará en la conexión desde el cableado instalado en campo hasta las terminales roscadas o de tornillo de la cerradura o el pestillo electrónicos.
 - b. Utilice el cable recomendado por el fabricante de la cerradura o el pestillo eléctricos. Si no hay recomendaciones de cables, utilice un cable de 18 AWG como mínimo, con filamentos suficientes para la cerradura o el pestillo electrónicos específicos.



ADVERTENCIA

Instale el dispositivo de supresión de ruido transitorio (mov) incluido con el panel de control.

Operación

Funcionamiento normal en espera: El CAP2D siempre está preparado y monitoreando si se producen cambios en las entradas. Si alguna de las entradas cambia de estado, el CAP2D responde localmente y comunica el cambio a myQ® Business™.

Funcionamiento con lector/teclado: El CAP2D está diseñado para trabajar con un lector y un teclado aprobados que usan un formato estándar Wiegand de 26 bits. Algunos teclados pueden usar un formato ASCII para ingresar los códigos de acceso.

Consulte el diagrama de cableado para realizar la conexión física al CAP2D. Consulte los manuales del lector y del teclado para obtener las instrucciones de funcionamiento completas.

Acceso otorgado/Acceso rechazado: Cuando se presenta una credencial válida, se otorga acceso sin respuesta auditiva o visual del CAP2D. Algunos dispositivos accesorios pueden brindar una respuesta. P. ej., un receptor o lector de tarjeta puede emitir una señal sonora o cambiar los colores de un LED para comunicar el estado.

Mantenimiento y prueba: No se requiere mantenimiento ni pruebas periódicas para que el producto tenga un funcionamiento seguro y normal.

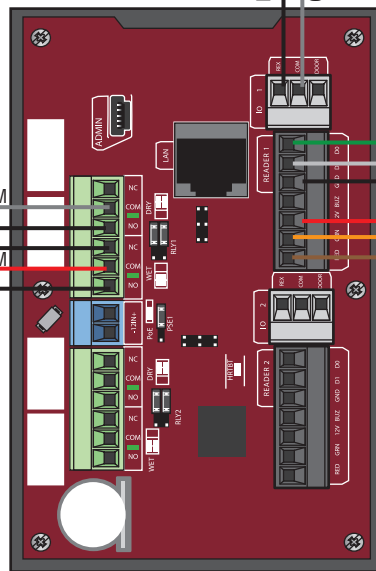
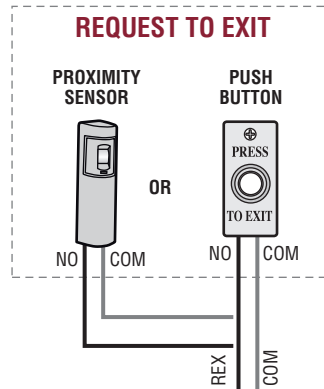
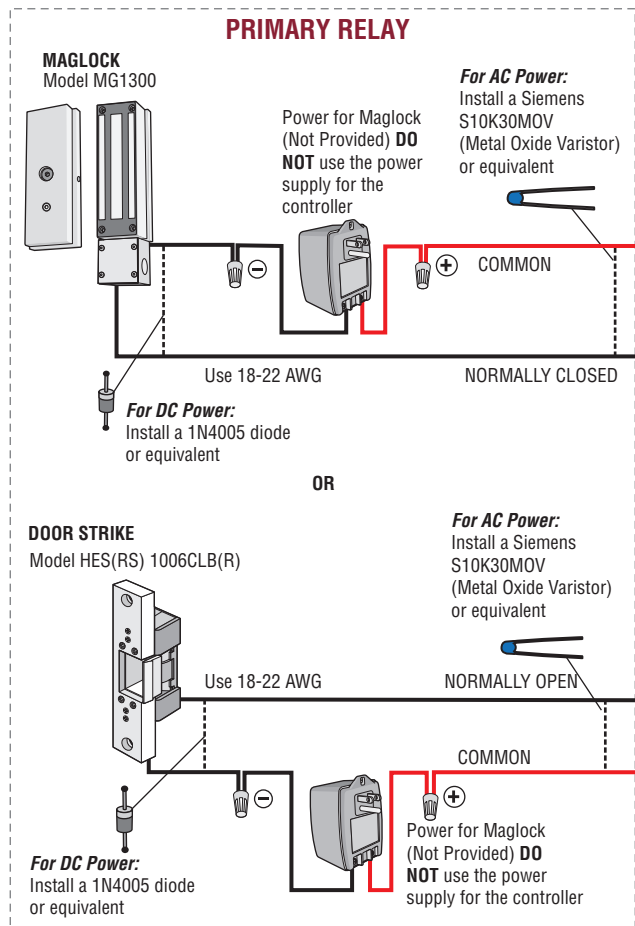
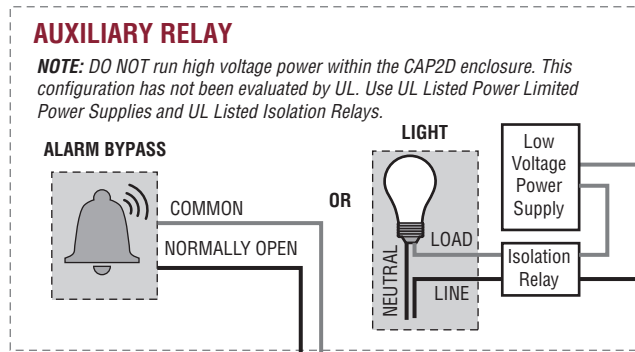
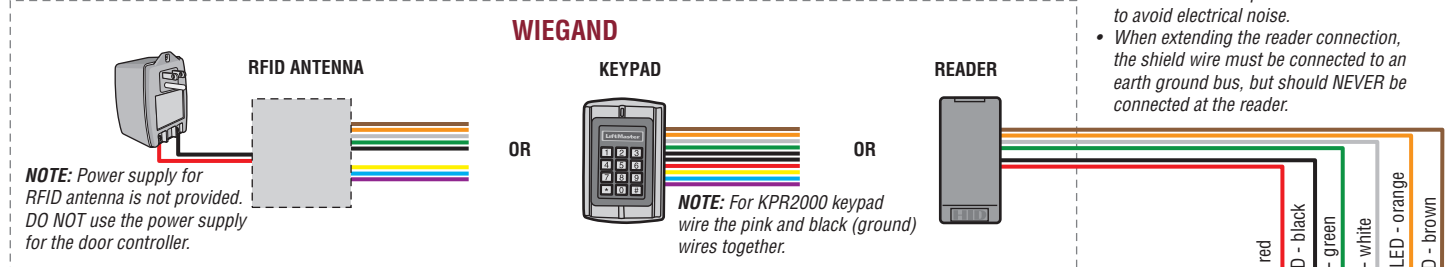
Acceso de puerta

Desconecte la alimentación ANTES de realizar las conexiones eléctricas. A continuación encontrará un ejemplo de una configuración de cableado para el acceso de puerta. El acceso de puerta se puede conectar por cable a la puerta 1 o 2.

NOTA: Las fuentes de alimentación deberán ser de salida limitada de potencia 294 o 603 comerciales con certificación UL.

NOTES:

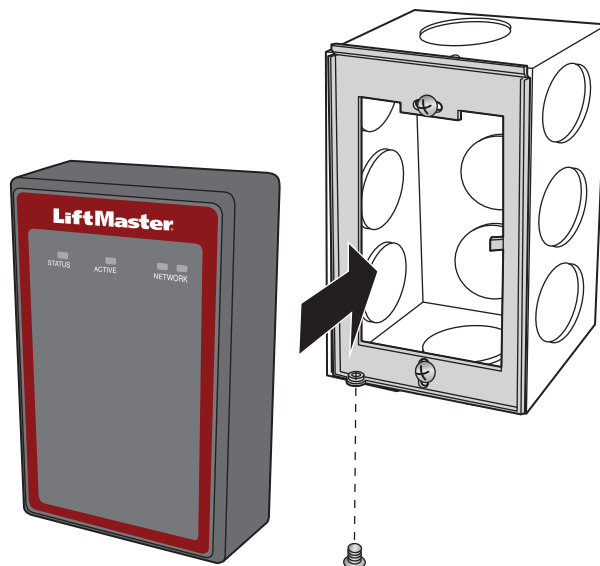
- The length of the unshielded wires should be kept to a minimum to avoid electrical noise.
- When extending the reader connection, the shield wire must be connected to an earth ground bus, but should NEVER be connected at the reader.



1 Instale el CAP2D

1. Asegúrese de que todo el cableado esté colocado dentro de la caja eléctrica.
2. Deslice el CAP2D en la ménsula y fíjelo con el tornillo.

NOTA: Las unidades de control se deberán montar en un área protegida. El dispositivo de salida REX y el cableado deben estar dentro del área segura.



Validar la operación adecuada: Pruebe cada uno de los tipos de credenciales y asegúrese del funcionamiento adecuado de cada puerta/portón conectado al CAP2D. Las credenciales válidas y las entradas de Pedido de salida deberían activar el relé. Visite myqbusiness.com para obtener los datos de programación y verificar el estado y la actividad del CAP2D.

Accessories

ELEMENTO	NÚMERO DE PARTE
Teclado/Lector de proximidad resistente al agua	KPR2000
Lector de identificación por radiofrecuencia (RFID) de gran alcance LiftMaster	LMSC1000

Resolución de problemas

El CAP2D no se enciende al conectar un transformador de 12 VCC.

Verifique la posición del puente de PoE. Mueva el puente a la ubicación superior.

El relé no se activa al presentar una credencial.

Verifique la alimentación; ¿los LED están encendidos? Verifique si las conexiones y los dispositivos de entrada funcionan correctamente. Consulte el registro de actividad de myQ® Business™ para ayudar en el diagnóstico.

Recibí un correo electrónico donde decía que el CAP2D estaba fuera de línea.

Consulte myQ® Business™ para conocer el último estado en línea / fuera de línea. Si aún está fuera de línea verifique la conexión local a Internet y el suministro de energía al CAP2D. A veces, esto también sucede durante el mantenimiento regular en los servidores myQ® Business™. El CAP2D almacena la base de datos en forma local y sigue proporcionando el control de acceso sin una conexión a Internet. Los cambios en la actividad y la base de datos solamente se intercambian con myQ® Business™ cuando el CAP2D está en línea.

Contactos de soporte

CGI - PROFESIONAL	ACCESIBILIDAD
Página web	LiftMaster.com
Preguntas frecuentes	Support.Partner.LiftMaster.com/s/
Instalación del distribuidor y videos de soporte de myQ® Business™	YouTube.com/LiftmasterSupport
Soporte técnico comercial y profesional: 800-528-2806	de lun. a vie. de 5:00 a.m. a 6:00 p.m. Horario de la montaña
Academia de capacitación de LiftMaster	LiftMasterTraining.com
Portal del socio	Partner.LiftMaster.com/login

 **Para obtener información sobre la programación de myQ Business™, visite www.myqbusiness.com**

Hoja de configuración

A continuación, registre la información del dispositivo y los ajustes de configuración.

Nombre del controlador:
<i>NOTA: Todo usuario del sistema está sujeto a los términos que se detallan en el Contrato de Licencia de Usuario Final (EULA).</i>
Notas:

CONFIGURACIÓN DEL DISPOSITIVO:

PUERTA 1	NOMBRE DE LA PUERTA O EL PORTÓN:			
ENTRADAS	WIEGAND	REX	ESTADO	
			Fin de línea (S/N):	
SALIDAS	RELÉ PRIMARIO		RELÉ AUXILIAR	
	N.O.	N.C.	N.O.	N.C.
Notas:				

PUERTA 2	NOMBRE DE LA PUERTA O EL PORTÓN:			
ENTRADAS	WIEGAND	REX	ESTADO	
			Fin de línea (S/N):	
SALIDAS	RELÉ PRIMARIO		RELÉ AUXILIAR	
	N.O.	N.C.	N.O.	N.C.
Notas:				

Exenciones de responsabilidad legal

Conformidad con la Comisión Federal de Comunicaciones (FCC, por sus siglas en inglés)

Este equipo ha sido verificado y cumple con los límites para un dispositivo digital de Clase B, conforme con la Parte 15 de las normas de la FCC. Estos límites están diseñados para brindar una protección razonable contra interferencias perjudiciales en una instalación residencial o cuando el equipo es operado en un entorno comercial. Este equipo genera, usa y puede emitir energía de radiofrecuencia. Si no se instala y utiliza de acuerdo con el manual de instrucciones, podría causar una interferencia perjudicial con las comunicaciones radiales. Aun así, no hay garantía de que no se produzcan interferencias en una instalación particular. Si este equipo produce interferencia perjudicial en la recepción de radio o televisión, lo cual puede determinarse apagando y encendiendo la unidad, el usuario debe tratar de corregir la interferencia por medio de lo siguiente:

- Aumentar la distancia entre el equipo y el receptor.
- Conectar el equipo a un circuito distinto del circuito al que está conectado el receptor.
- Pedir ayuda al distribuidor.

Conformidad con Underwriters Laboratories de Canadá (C-UL)

En el caso de las aplicaciones registradas en C-UL, el controlador se deberá instalar en conformidad con la Parte 1 del Código Eléctrico de Canadá.

Aviso de documentación y restricciones

La información contenida en este documento está sujeta a cambios sin previo aviso y no representa un compromiso de parte de LiftMaster. Para obtener la información más actualizada, visite www.LiftMaster.com.

Este documento y los datos incluidos en el presente no se deberán duplicar, utilizarse o divulgarse a otros para la adquisición o fabricación, excepto en los casos en que se cuente con una autorización por escrito de LiftMaster. La información que contiene este documento o el mismo producto se considera propiedad exclusiva de LiftMaster. Toda la información de este documento o de los productos de hardware y software en sí está protegida por las leyes de propiedad de autor u otras leyes de propiedad intelectual de los Estados Unidos.

UL 294 Unidad de control de acceso de nivel 1 (Ataque, Seguridad de la línea, Espera), y nivel IV de Resistencia

AVISO: Las normas de la FCC y de Industry Canada (IC) prohíben el ajuste o las modificaciones de este dispositivo digital. NO HAY PARTES QUE PUEDA REPARAR EL USUARIO. Cualquier cambio o modificación no aprobado expresamente por la parte responsable del cumplimiento podría anular la autoridad del usuario para operar el equipo.

Este dispositivo cumple con la Parte 15 de la reglamentación de la FCC y las normas de RSS de Industry Canada para dispositivos exentos de licencia. La operación está sujeta a las dos siguientes condiciones: (1) este dispositivo no puede causar interferencia perjudicial, y (2) este dispositivo debe aceptar cualquier interferencia recibida, incluyendo la interferencia que puede causar una operación no deseable.

Este aparato digital de Clase B cumple con las normas canadienses ICES-003.

Este equipo ha sido verificado y cumple con los límites para un dispositivo digital de Clase B, conforme con la Parte 15 de las normas de la FCC y el estándar ICES de Industry Canada. Estos límites se establecen para brindar un nivel razonable de protección contra interferencias perjudiciales en instalaciones residenciales. Este equipo genera, usa y puede emitir energía de radiofrecuencia. Podría causar interferencias perjudiciales a las comunicaciones radiales si no se instala y utiliza de acuerdo con las instrucciones. Aun así, no hay garantía de que no se produzcan interferencias en una instalación particular. Si este equipo produce interferencia en la recepción de radio o televisión, lo cual puede determinarse apagando y encendiendo la unidad, el usuario debe tratar de corregir el problema por medio de lo siguiente:

- Volver a orientar o reubicar la antena receptora.
- Aumentar la distancia entre el equipo y el receptor.
- Conectar el equipo en una salida de un circuito distinto del circuito al que está conectado el receptor.
- Consultar con el distribuidor o con un técnico de radio/TV experimentado para pedir ayuda.
- Instalar este dispositivo de manera que quede una distancia mínima de 20 cm (8 pulg.) entre el dispositivo y los usuarios/transeúntes.

Garantía

LiftMaster (el "Vendedor") garantiza al primer comprador de este producto, para la estructura en la que se instale originalmente este producto, que este mismo está libre de defectos de materiales y de mano de obra por un periodo de dos años a partir de la fecha de compra.

El funcionamiento correcto de este producto depende de que usted cumpla con las instrucciones referentes a la instalación, el funcionamiento, el mantenimiento y la prueba. Si no cumple estrictamente estas instrucciones, se anulará por completo esta garantía limitada.

Si, durante el periodo de garantía limitada, este producto parece contener un defecto cubierto por esta garantía limitada, comuníquese al número gratuito 1-800-528-2806 antes de desmontar el producto. A continuación, envíe este producto, una vez que sea pagado por anticipado y asegurado, a nuestro centro de servicio, con el fin de realizar el reemplazo, cubierto por la garantía. Los productos devueltos al Vendedor para el reemplazo cubierto por la garantía, los cuales una vez recibidos por el Vendedor se confirme que son defectuosos y que están cubiertos por esta garantía limitada, serán reemplazados (a opción única del Vendedor) sin costo para usted y serán devueltos con el porte pagado. Las partes defectuosas serán reemplazadas a opción única del Vendedor por partes nuevas o reconstruidas de fábrica.

ESTA GARANTÍA LIMITADA SUSTITUYE A OTRAS GARANTÍAS EXPRESAS O IMPLÍCITAS, INCLUYENDO CUALQUIER GARANTÍA IMPLÍCITA DE COMERCIALIZACIÓN O DE ADECUACIÓN PARA UN PROPÓSITO PARTICULAR, O DE CUALQUIER OTRA ÍNDOLE, ADEMÁS DE CUALQUIER OTRA OBLIGACIÓN O RESPONSABILIDAD POR PARTE DEL VENDEDOR. ESTA GARANTÍA LIMITADA NO CUBRE DAÑOS NO RELACIONADOS CON DEFECTO ALGUNO DEL PRODUCTO, DAÑOS CAUSADOS POR LA INSTALACIÓN, LA OPERACIÓN O EL CUIDADO INCORRECTOS (QUE INCLUYEN, ENTRE OTROS, ABUSO, USO INDEBIDO, FALTA DE MANTENIMIENTO RAZONABLE Y NECESARIO, REPARACIONES NO AUTORIZADAS O CUALQUIER ALTERACIÓN A ESTE PRODUCTO), NI LOS CARGOS DE MANO DE OBRA PARA VOLVER A INSTALAR UNA UNIDAD REPARADA O DE REPUESTO, PROBLEMAS RELACIONADOS CON LA INTERFERENCIA, O PARA EL REEMPLAZO DE BATERÍAS.

BAJO NINGUNA CIRCUNSTANCIA, EL VENDEDOR SERÁ RESPONSABLE DE DAÑOS EMERGENTES, INCIDENTALES O ESPECIALES QUE SURJAN EN RELACIÓN CON EL USO O CON LA INCAPACIDAD DE USO DE ESTE PRODUCTO. EN NINGÚN CASO, LA RESPONSABILIDAD DEL VENDEDOR POR INCUMPLIMIENTO DE LA GARANTÍA, RESCISIÓN DEL CONTRATO, NEGLIGENCIA O RESPONSABILIDAD ESTRICTA DEBERÁ EXCEDER EL COSTO DEL PRODUCTO CUBIERTO POR ESTA GARANTÍA. NINGUNA PERSONA ESTÁ AUTORIZADA A ASUMIR POR NOSOTROS NINGUNA RESPONSABILIDAD EN RELACIÓN CON LA VENTA DE ESTE PRODUCTO.

Algunos estados no permiten la exclusión o la limitación de daños emergentes, incidentales o especiales, de manera que es posible que la anterior limitación o exclusión no se aplique a su caso. Esta garantía limitada le proporciona derechos legales específicos y usted también puede tener otros derechos que varían según el estado.

Todas las marcas comerciales, marcas de servicio y nombres de productos o servicios son marcas comerciales o marcas comerciales registradas de sus respectivos propietarios.

© 2019 LiftMaster

Todos los derechos reservados.