



## Quick Install Guide



\*\*Recommended wiring: 18/6 shielded for main device, and 18/4 shielded for optional wiegand devices\*\* ⚠

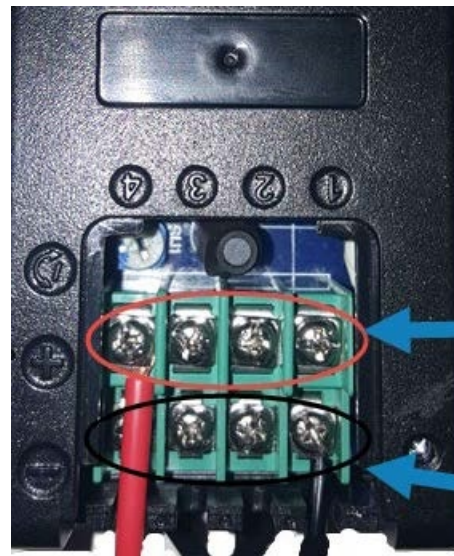
### Items Included in Kit

- 1 Watchman EVO Unit
- 2 12 Volt DC Power Supply
- 3 Magnetic Read Switch ⚠
- 4 CellGate Communication Box
- 5 Nuts X 4
- 6 Bolts X 4
- 7 Quick Install Guide
- 8 Activation & Test Process
- 9 Customer Information Packet

### Watchman EVO Unit



### Power Supply Wiring

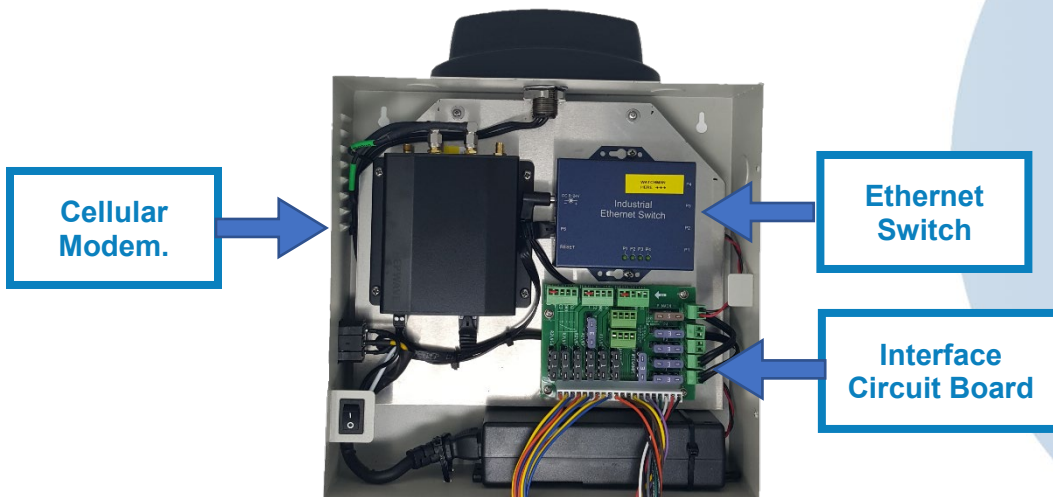


18 ga stranded- up to 25 ft.  
16 ga stranded- up to 50 ft.  
12 ga stranded- up to 60 ft.

12 Volt +  
Terminal

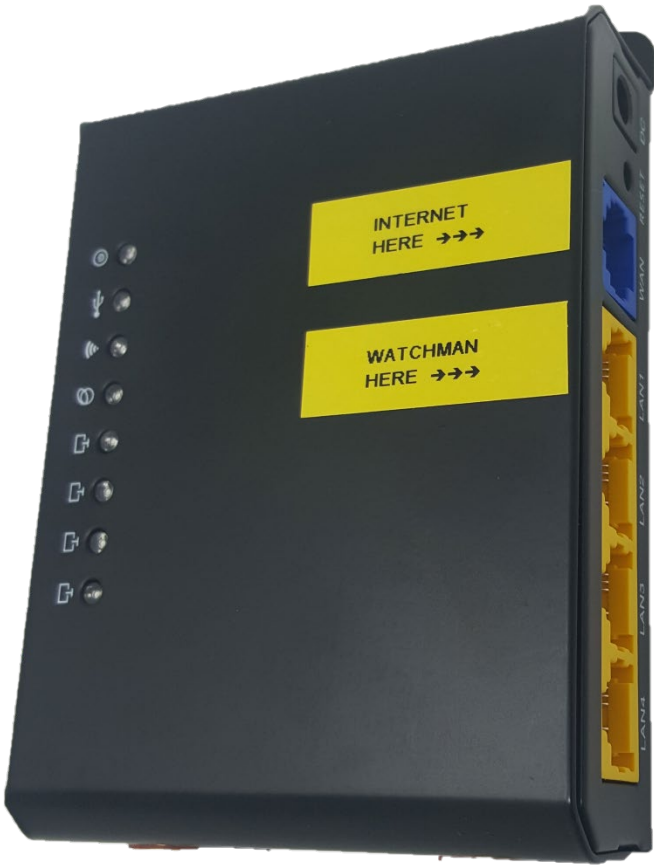
12 Volt -  
Terminal

### Cellgate Communication Box (Oriented the same as the Watchman install)



⚠ Important Item

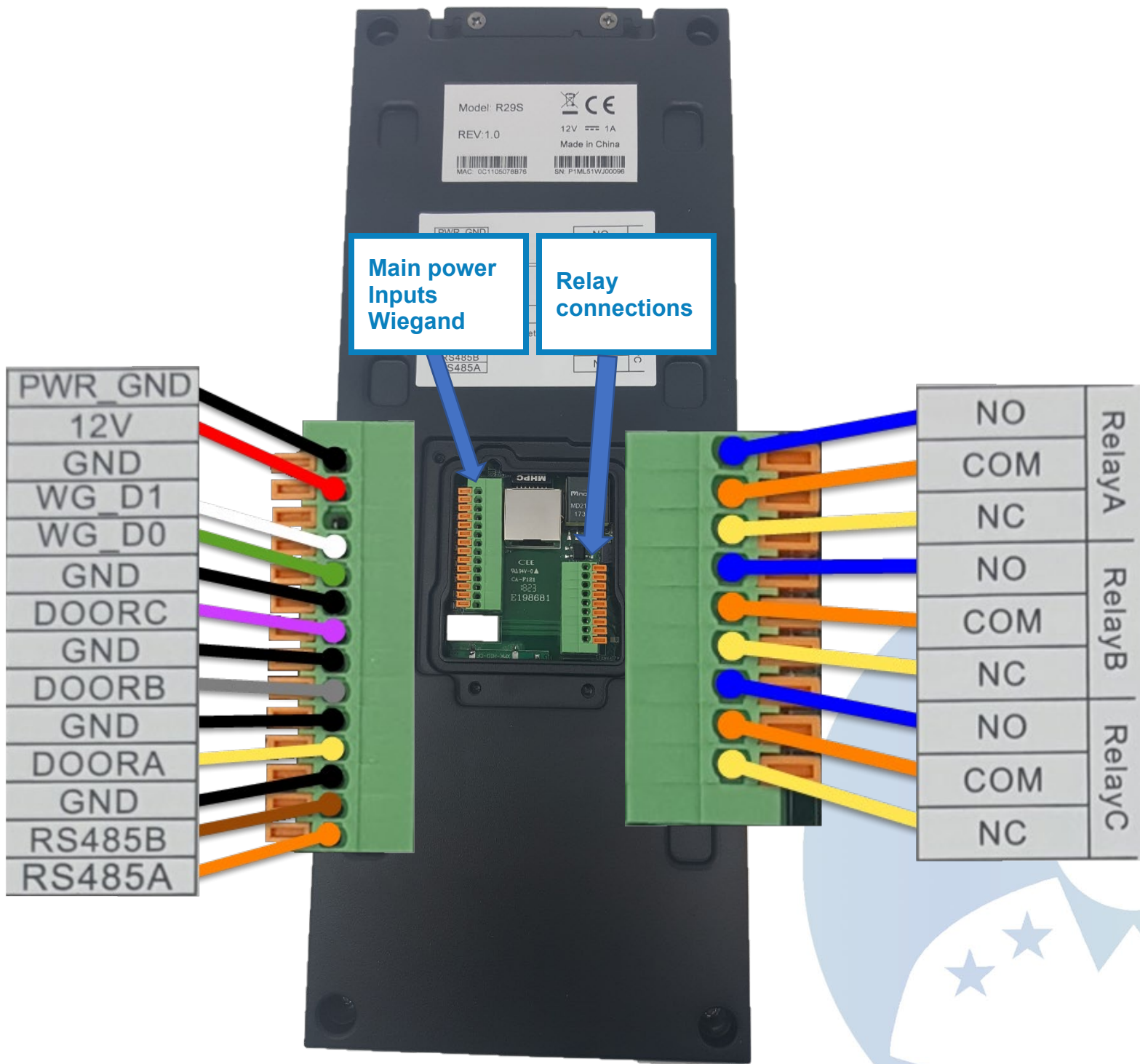
## Internet Router connection



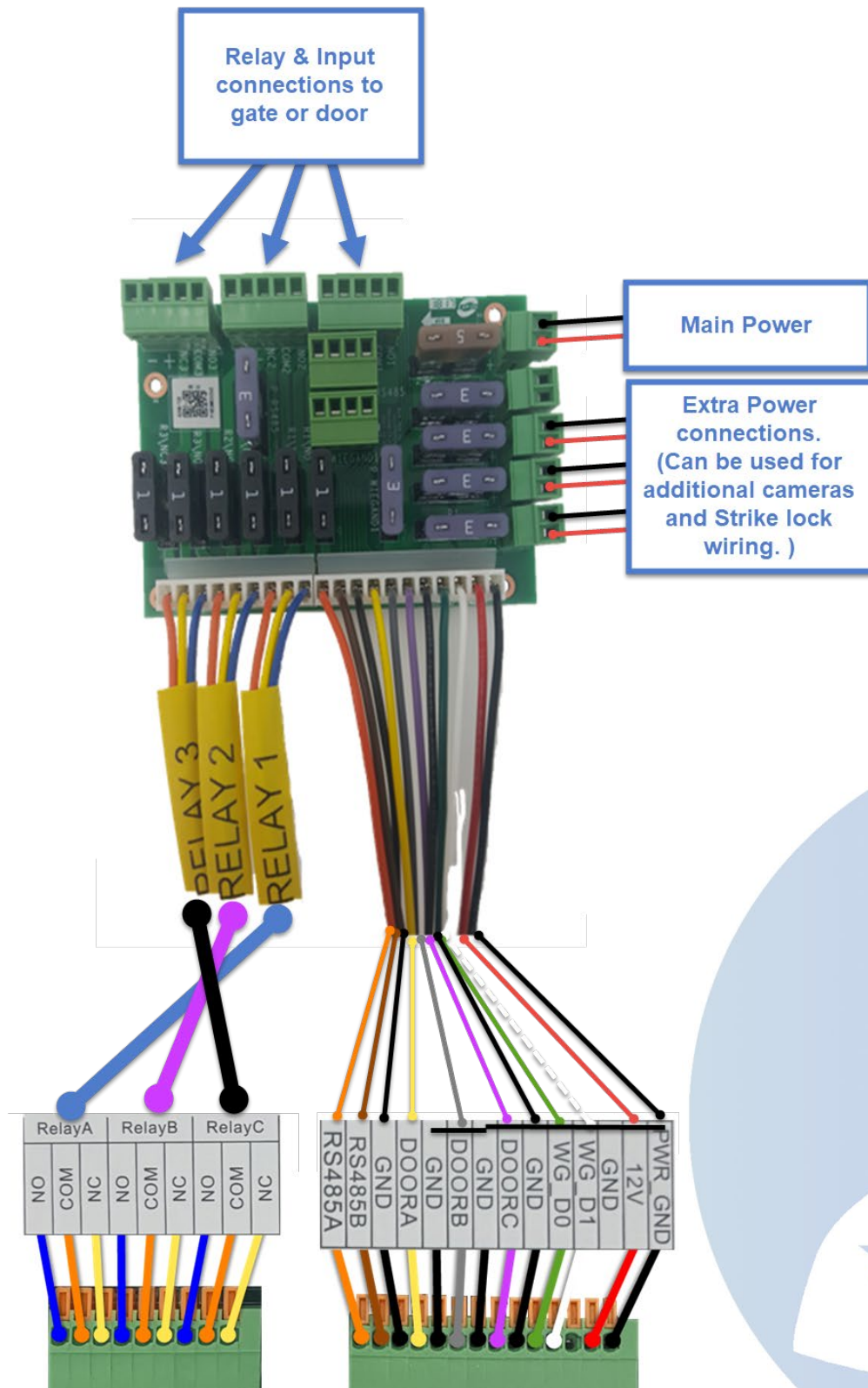
- ← **Plug Customer Internet into the blue Port!**
- ← **Plug Watchman into any Yellow Port!**
- ← **Plug Optional External Cameras into any yellow Port!**



**Interface Wiring Diagram to Watchman (Option 1 - Wiring from the CellGate control board.)**



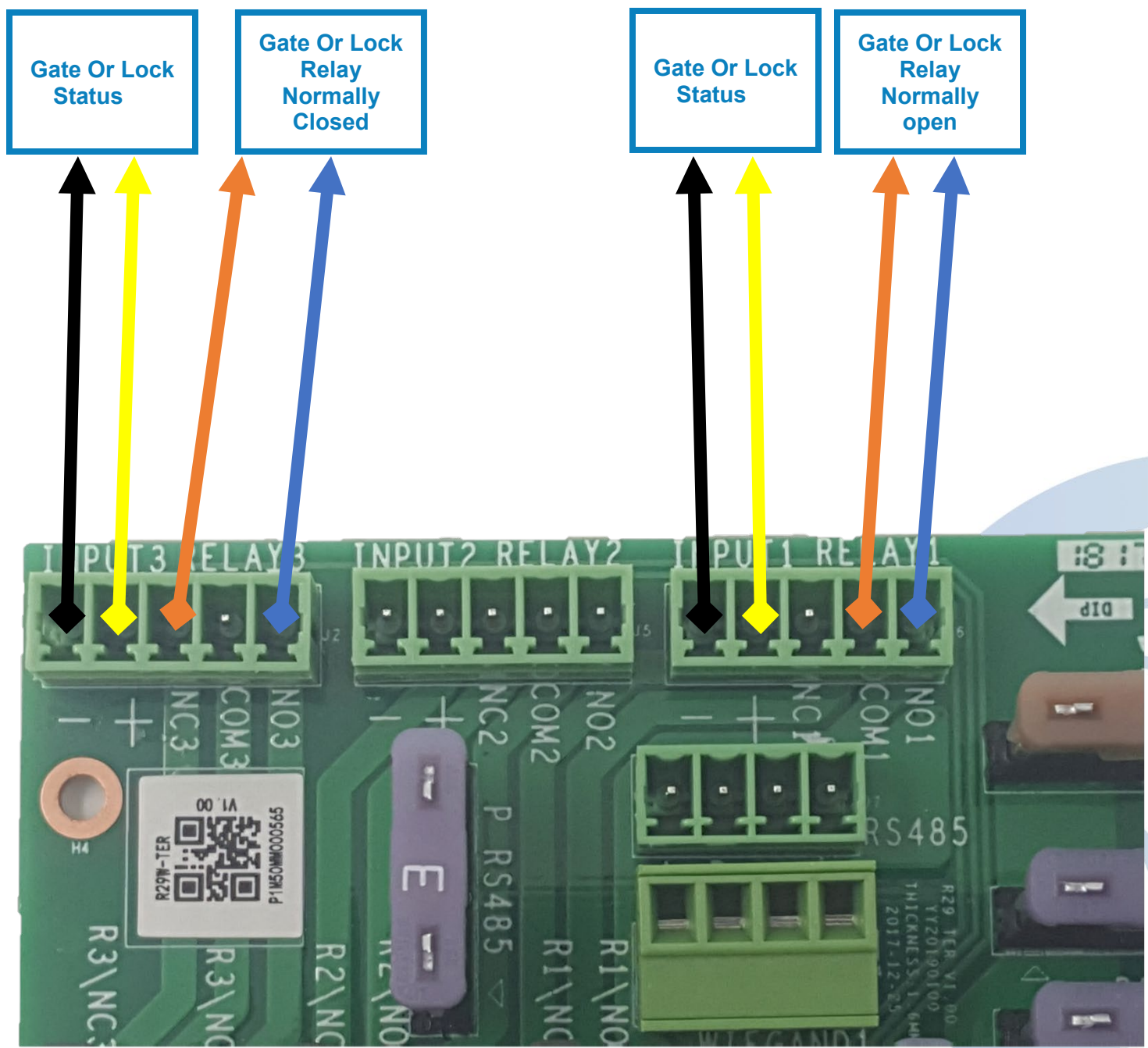
## Interface Wiring Diagram To Watchman (Option 1 - Wiring from the CellGate control board (cont.))



Relay and input wiring for a normally open & normally closed dry contact. (No voltage to lock or gate.)

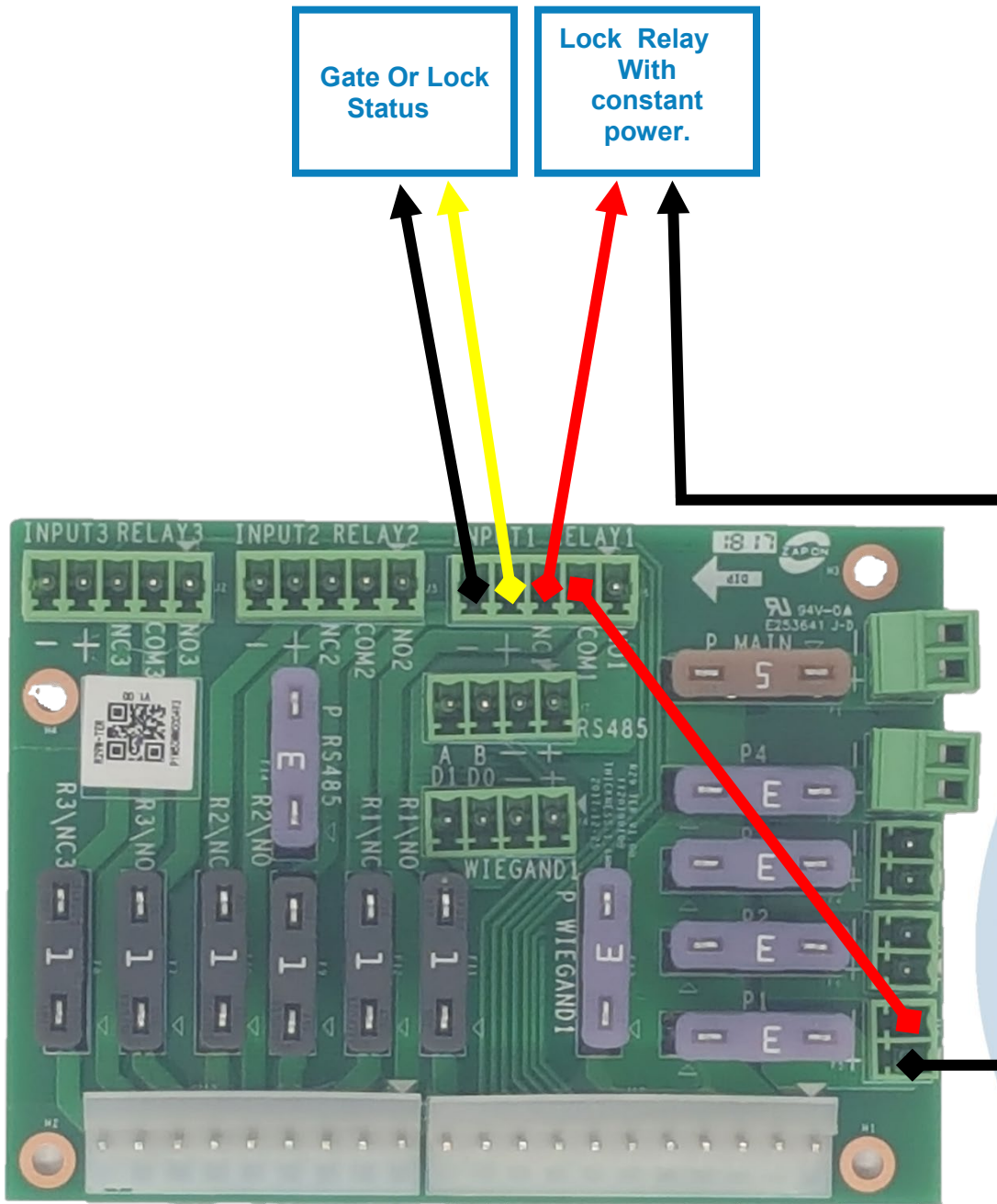
Normally closed Dry contact with status

Normally open dry contact with status.



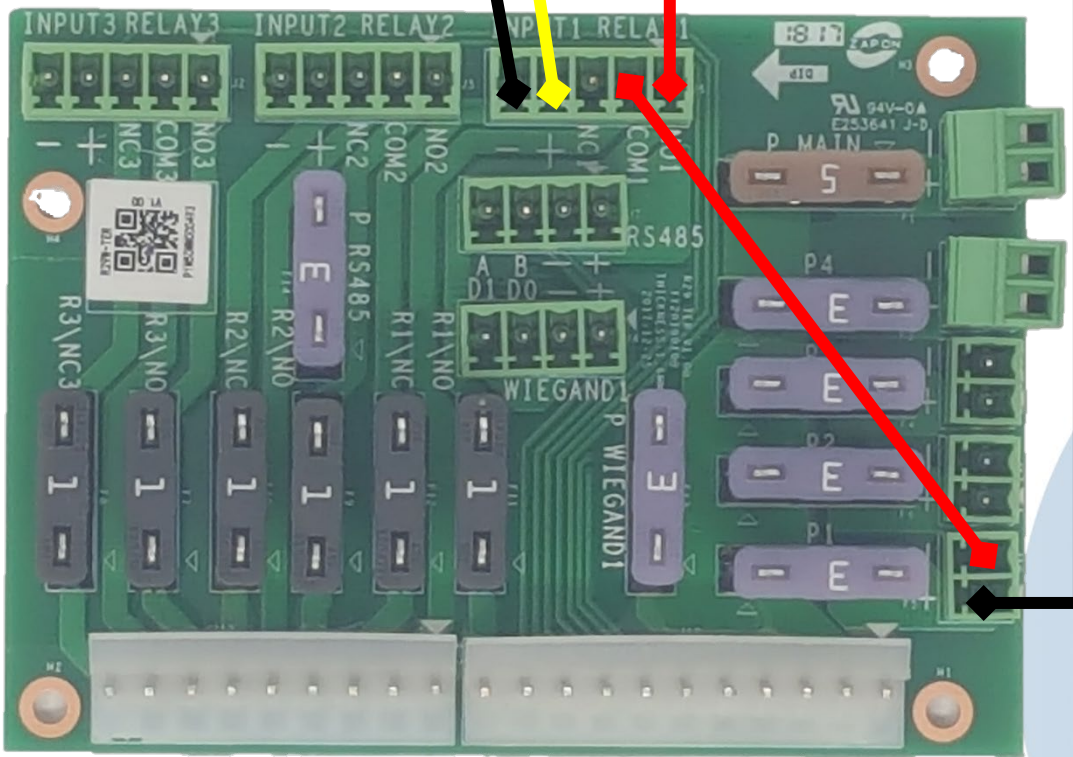
Relay and input wiring for lock that requires constant 12 volts. ( Voltage is remove when the relay activates. )

Normally Closed. 12 Volt Constant Power & status



Relay and input wiring for 12 only on relay trigger . (No voltage to lock or gate)

*Normally Open. 12 Volt Power Provided to lock on relay activation & status*

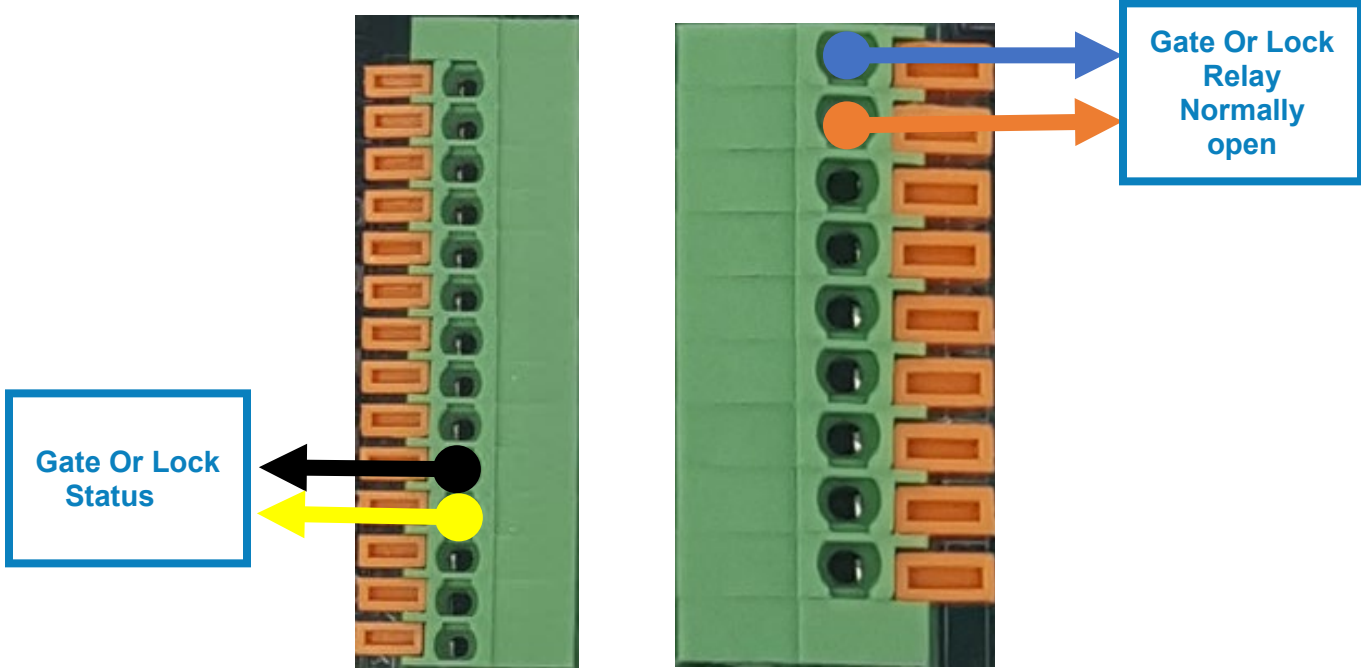




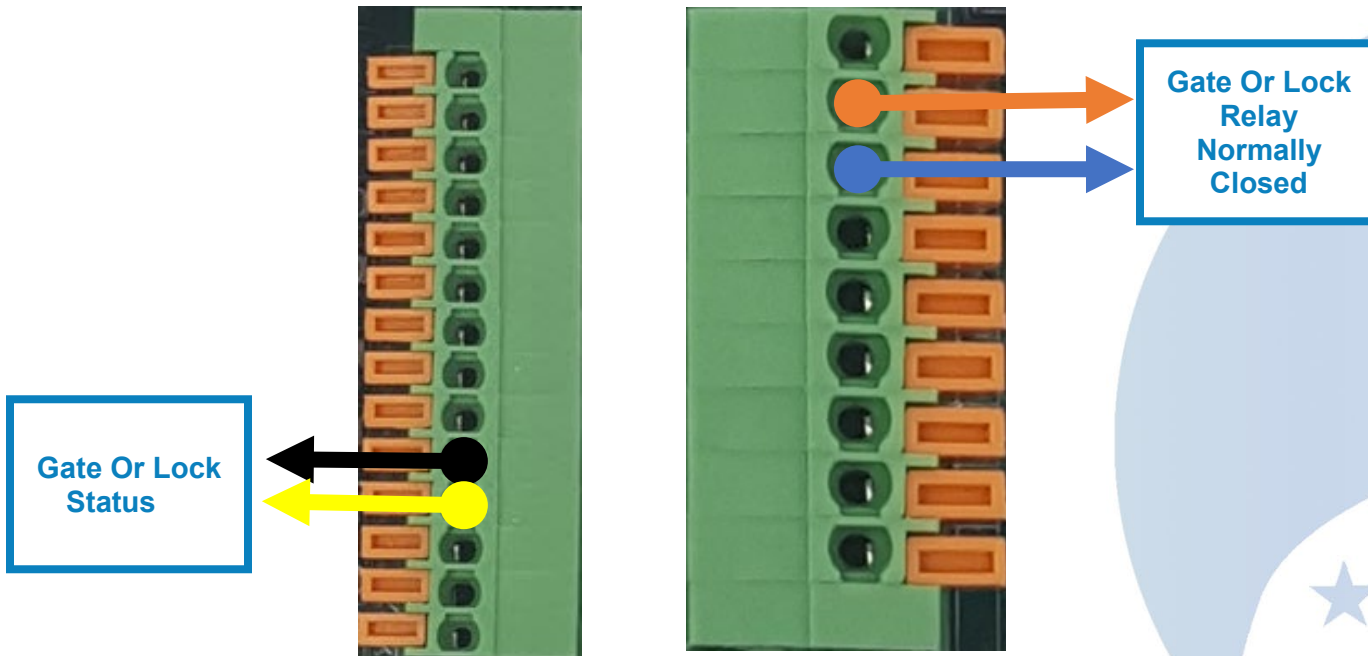
## Direct Wire to the faceplate

Relay and input wiring for a normally open & normally closed dry contact. (No voltage to lock or gate.)

Normally open dry contact

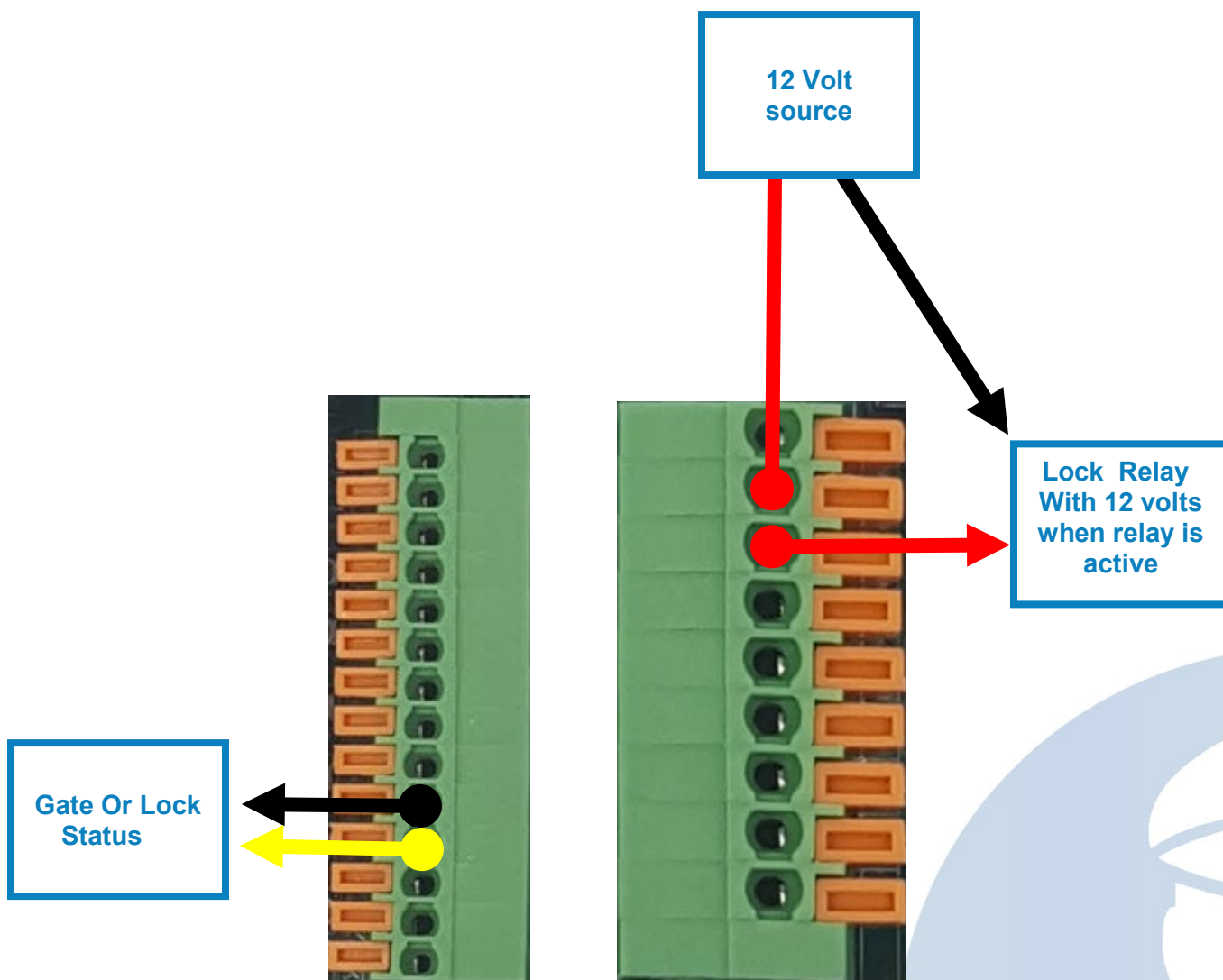


Normally Closed dry contact



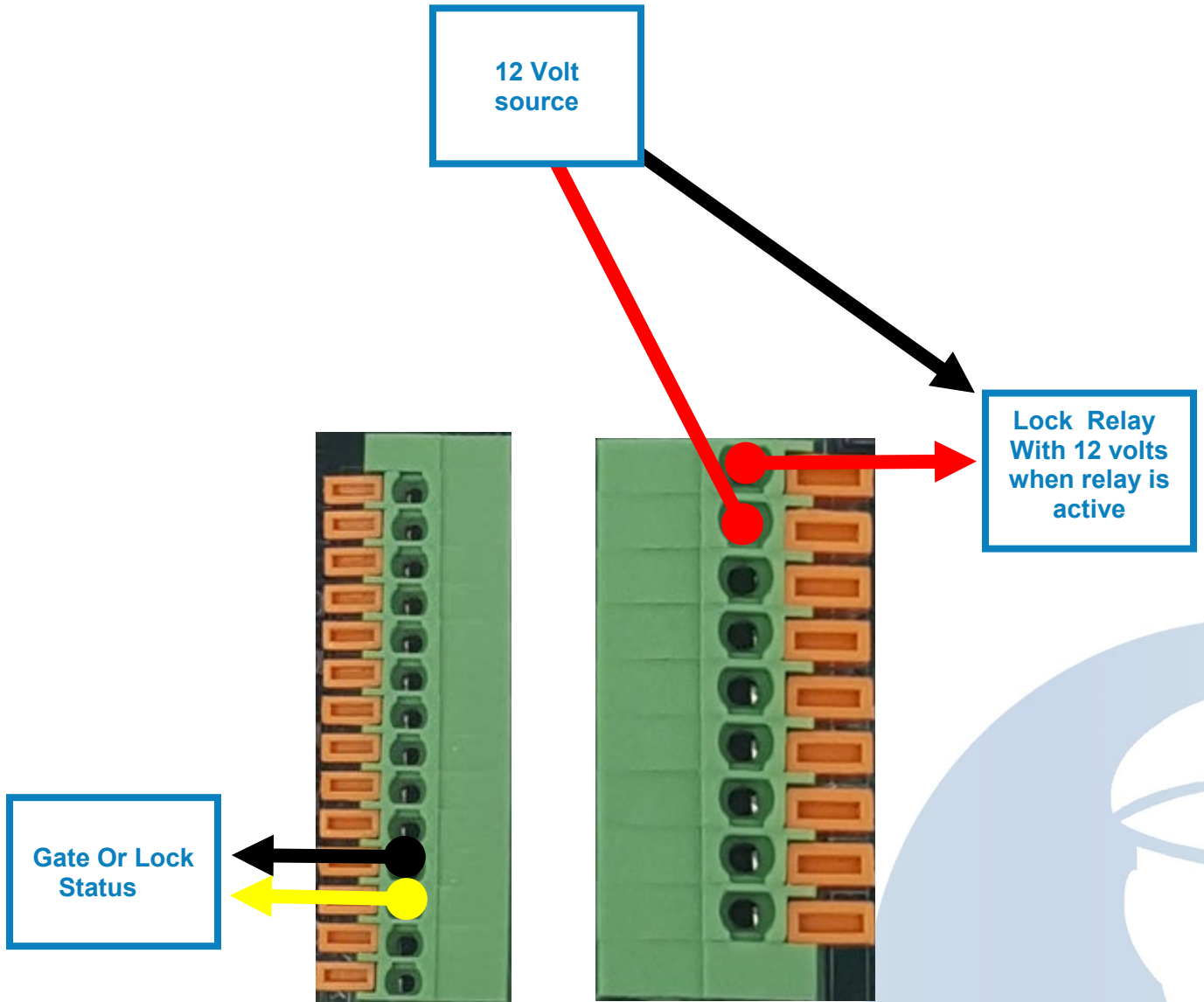
Direct Wire to the faceplate

For lock that requires constant 12 volts. ( Voltage is remove when the relay activates. )



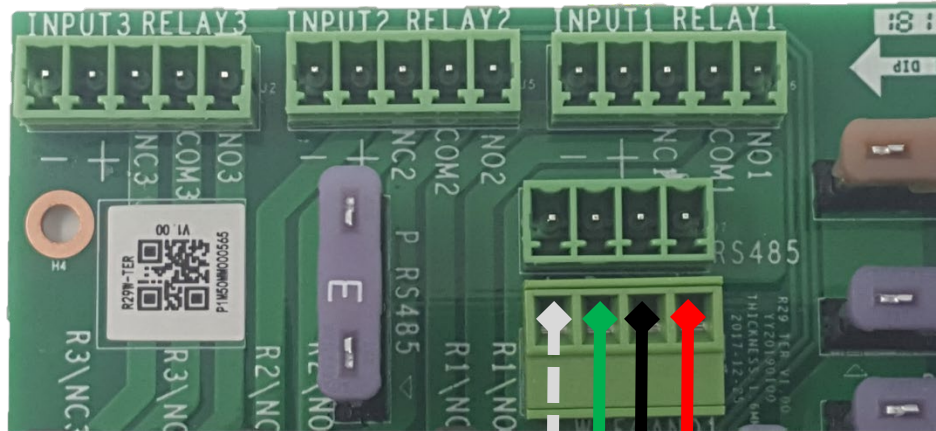
Direct Wire to the faceplate

Relay and input wiring for 12 only on relay trigger. (No voltage to lock or gate.)



## Wiegand Wiring to interface board and direct to faceplate

To Interface board



Direct to front plate

