



Quick Install Guide

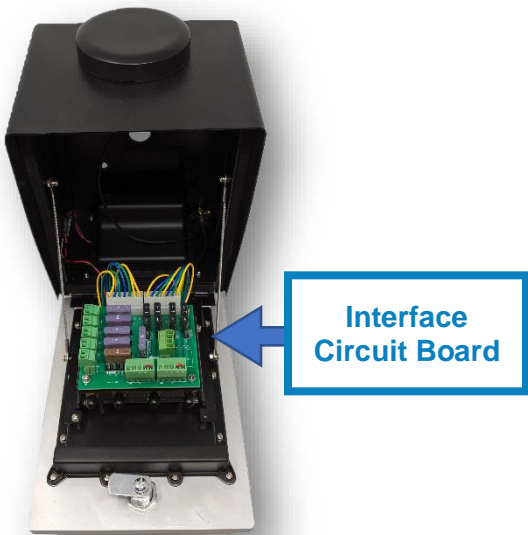


Recommended wiring: 18/6 shielded for main device, and 18/4 shielded for optional wiegand devices ⚠

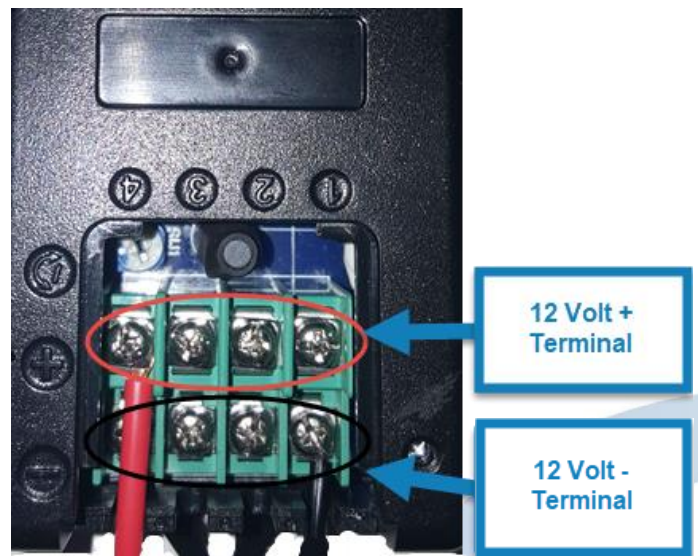
Items Included in Kit

- 1 W410 Unit
- 2 12 Volt DC Power Supply
- 3 Magnetic Read Switch ⚠
- 4 Keys *(Note: Leave one key with the customer)*
- 5 Nuts X 4
- 6 Bolts X 4
- 7 Quick Install Guide
- 8 Activation & Test Process
- 9 Customer Information Packet

W410 Unit



Power Supply Wiring



Interface Circuit Board (Oriented the same as the Watchman install)

Auxiliary Relay & Inputs (Relay 2)

Main Relay & Input Plug (Relay 1)

Wiegand Input

12 Volt Main Power

Modem Main Power

12 Volt Camera Power

Additional 12 Volt Inputs

⚠ Important Item

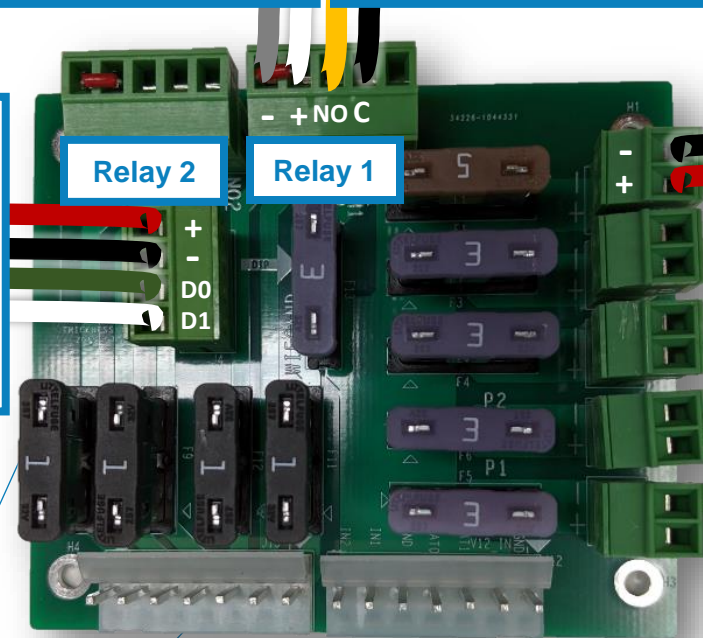
Interface Wiring Diagram (Oriented the same as the Watchman install)

3 To Magnetic Switch or Dry Contact on Operator
Gray Is **Negative**
White is **Positive**

2 To Gate Operator
Free Exit, Or Exit Terminal
Yellow Is **Positive +**
Blue Is **Common Ground**
Normally Open Connection

4 Optional Wiegand 26 Bit Connection
Red Is 12 Volt Power
Black is Ground
Green is Data 1

1 Main Power
12 Volt Input Power



6-Wire Installation Instructions

- 1 Wire **main power** from the transformer to the power connector on the circuit board.
- 2 Connect gate trigger wires from the **Normally Open (NO)** and **Common (C)** to the free-exit or exit terminals on the gate operator.
- 3 Connect the gate status wires on the 6 pin connector on the main relay and input plug to the magnetic switch or a **Dry Contact**, Normally Closed (NC) relay on the gate operator.
- 4 If using an optional 26-bit reader (ex., keypad, card reader, RFID, or clicker), wire the device to the **Wiegand connection** on the interface circuit board.
- 5 Use **Camera Guide** if adding optional external camera.
- 6 Test/activate using the test credentials on the **Activation & Test Process** document. ⚠

⚠ Important Item

Optional External Camera Wiring Diagram

WARNING: DO NOT MAKE ELECTRICAL CONNECTIONS TO CAMERA WITH THE SYSTEM ENERGIZED. THIS WILL DAMAGE THE CAMERA AND IS NOT COVERED UNDER THE CAMERA WARRANTY.

