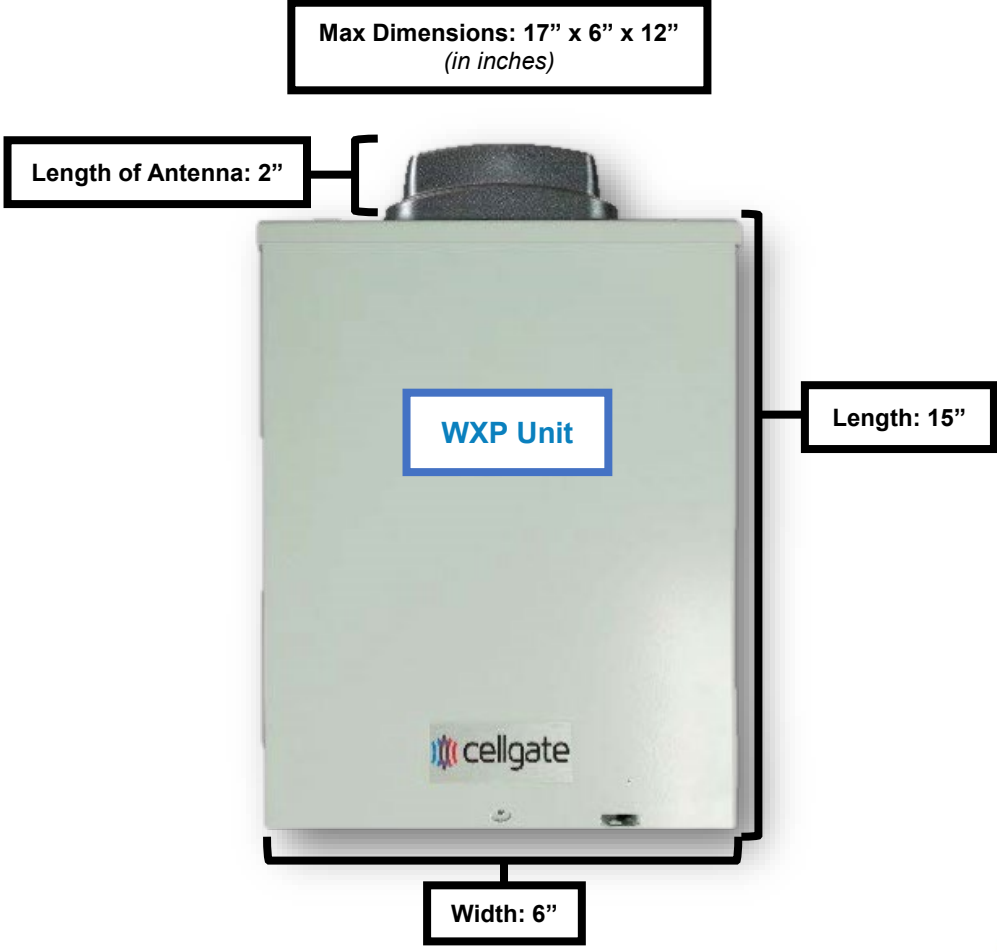




Quick Install Guide

WXP Details & Supported Devices



Camera (up to 4)



26-bit Wiegand Devices (Up to 4):
Card/RFID/Clicker Reader(s) & Keypad(s)

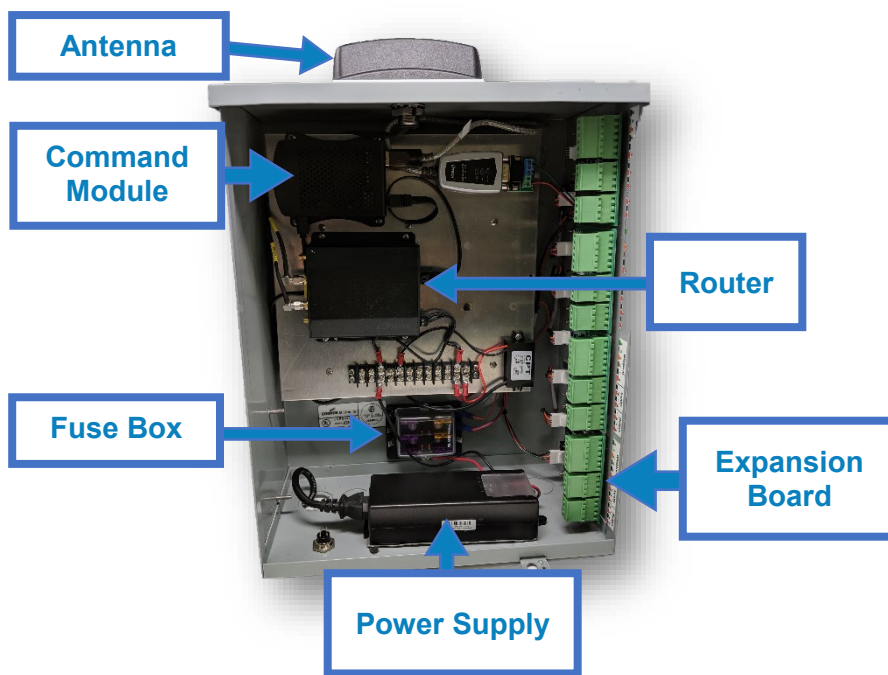


Items Included in Kit

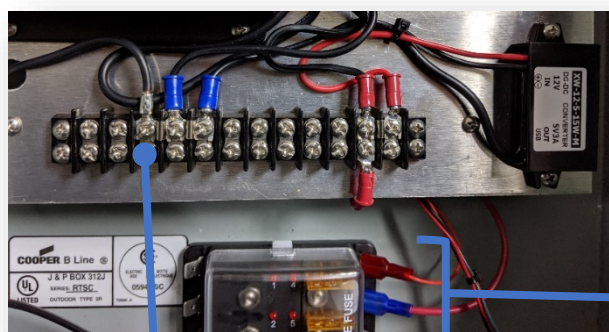
- Unify Unit
- 12v / 5 Amp power supply (built in) ⚠
- Quick Install Guide
- Activation & Test Process
- Customer Information Packet

Recommended wiring: 18/6 shielded for main device, and 18/4 shielded for optional wiegand devices ⚠

WXP Unit



Power Supply Wiring (pre-wired)



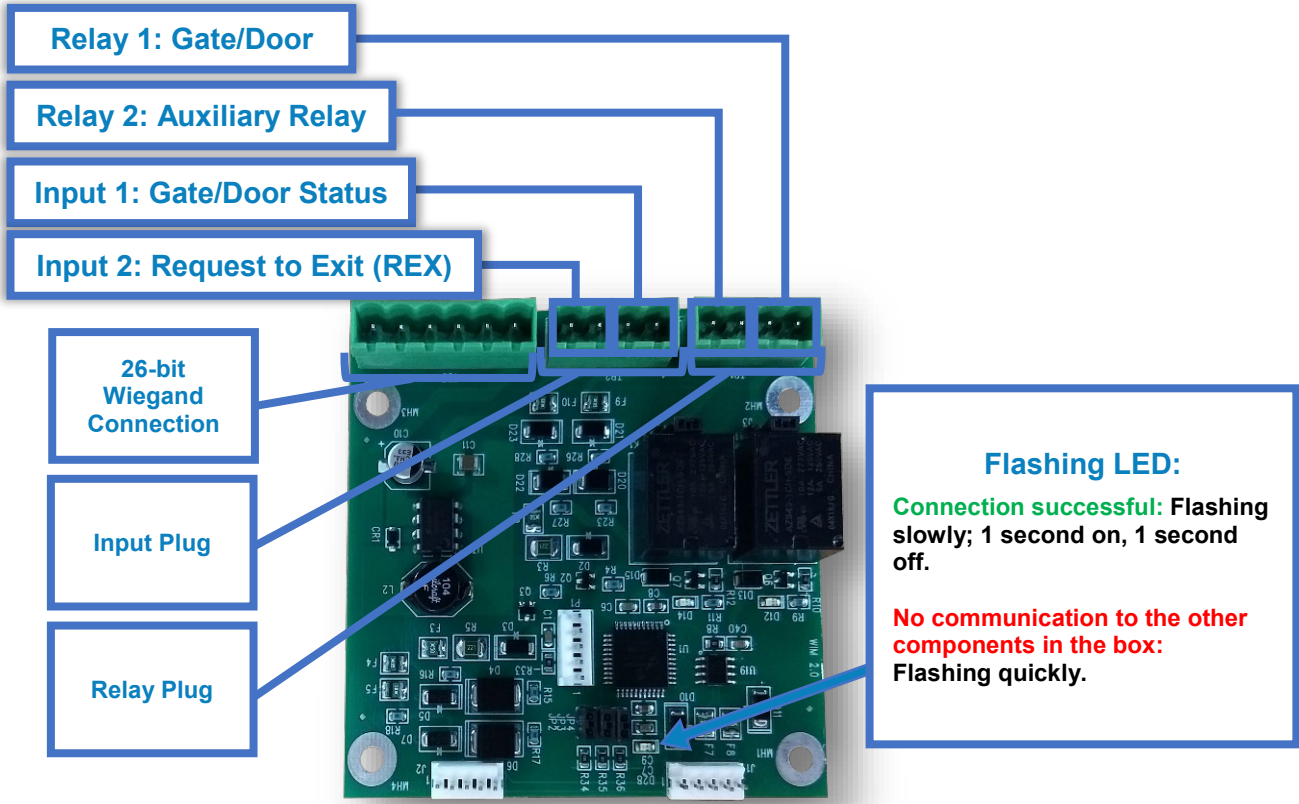
Ground Terminal

Enlarged

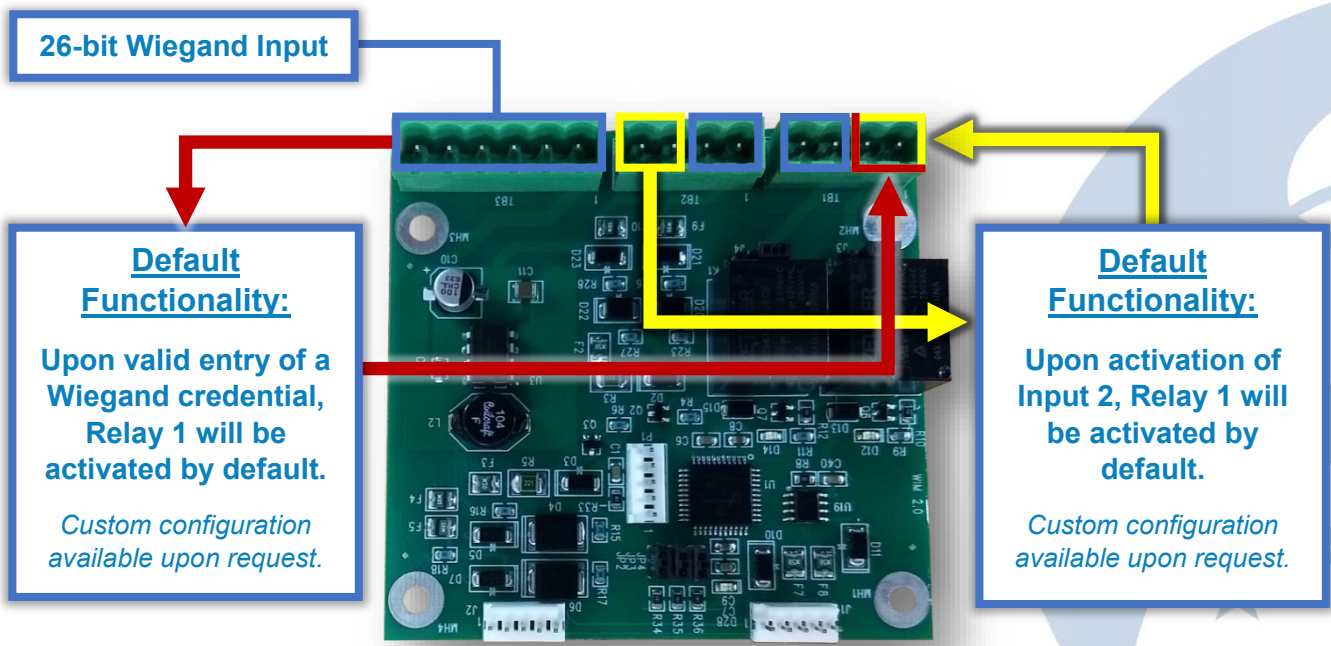
12v Fuse Terminal

⚠ Important Item

Expansion Board



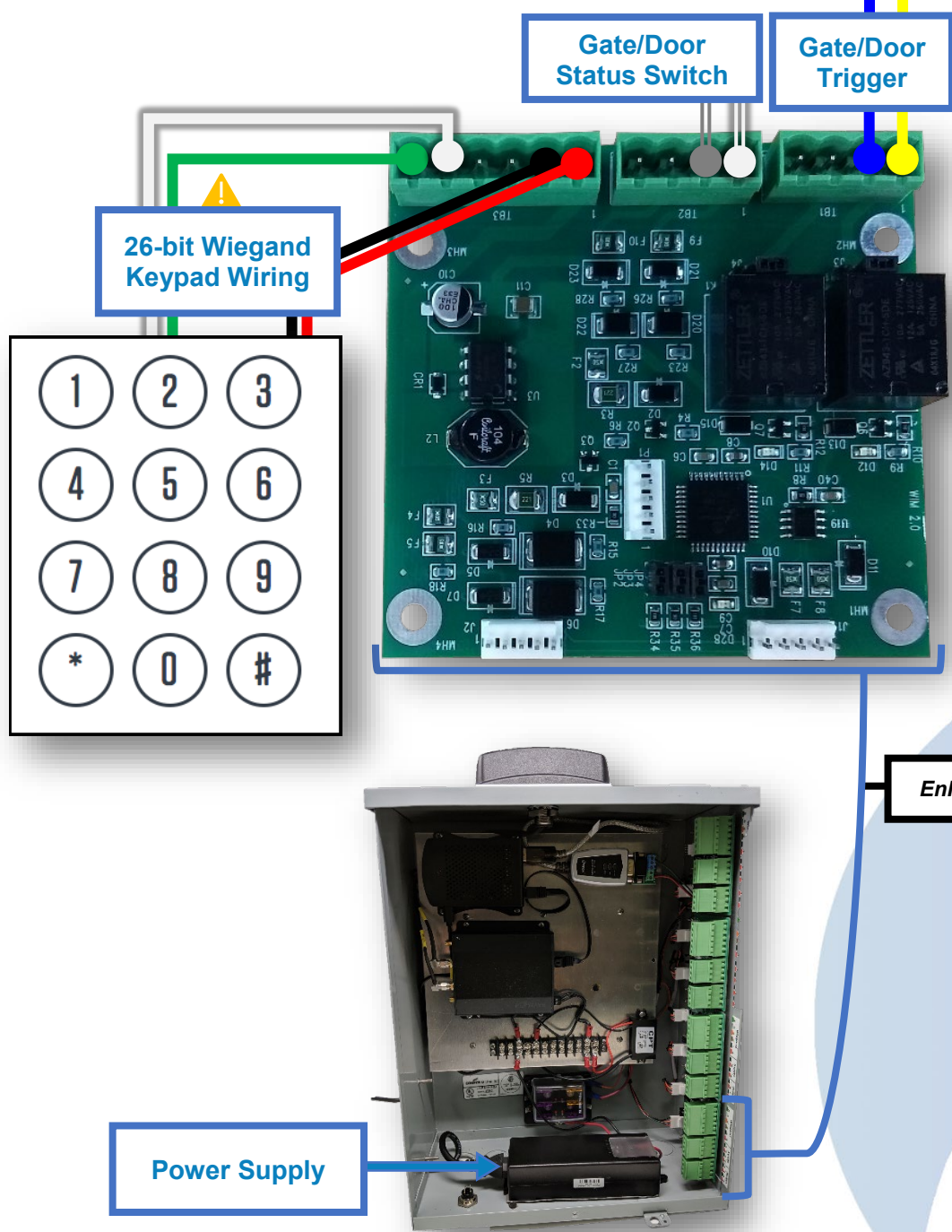
Expansion Board Default Configuration



****All wiring drawn should use 18-gauge cable**** ⚠️

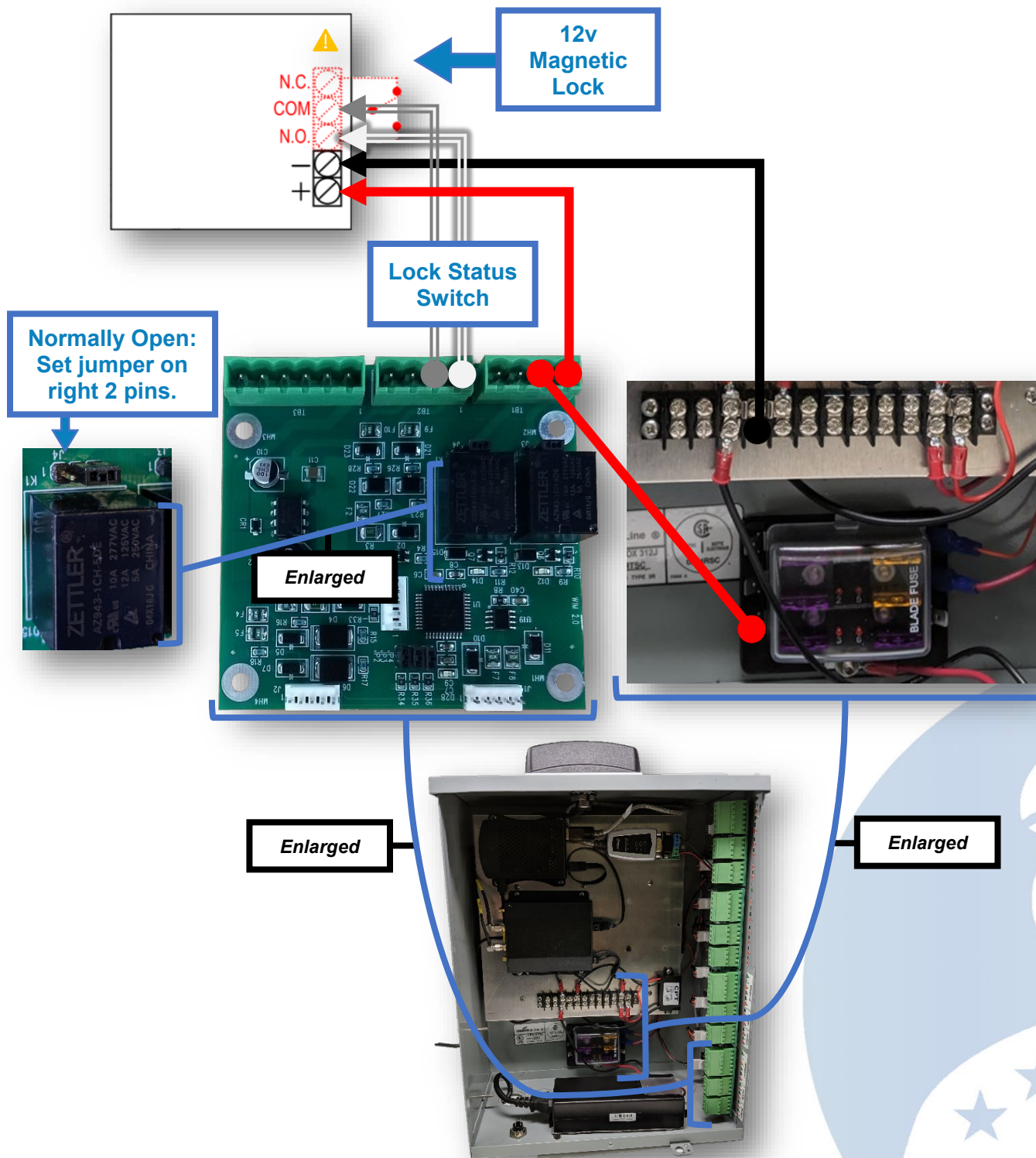
Gate/Door Wiring Diagram

Gate Operator or Dry Contact Door Lock



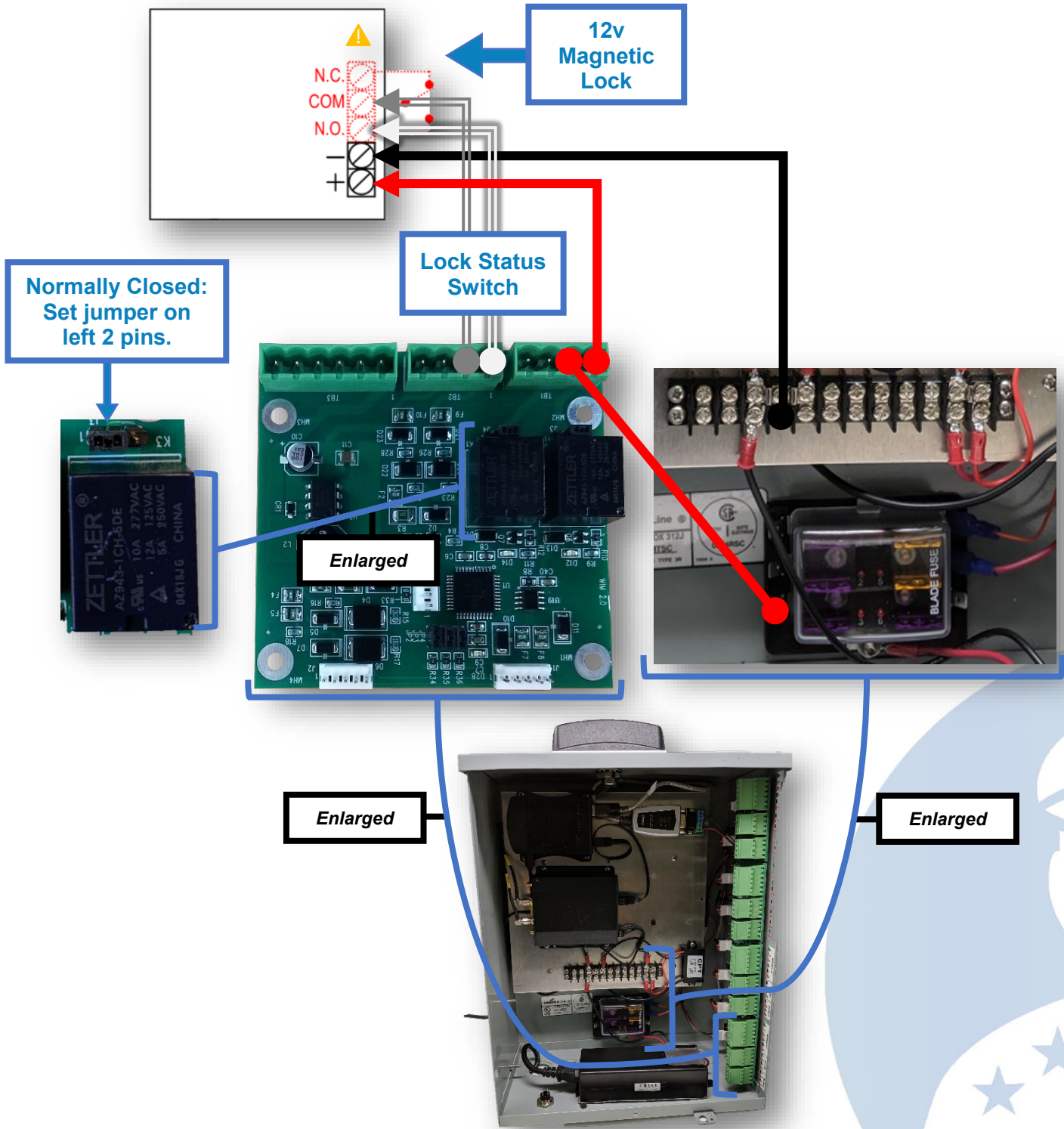
****All wiring drawn should use 18-gauge cable**** ⚠️

Magnetic Lock Wiring – Normally Open



****All wiring drawn should use 18-gauge cable**** ⚠

Magnetic Lock Wiring – Normally Closed



****All wiring drawn should use 18-gauge cable**** ⚠