

PRODUCT FEATURES

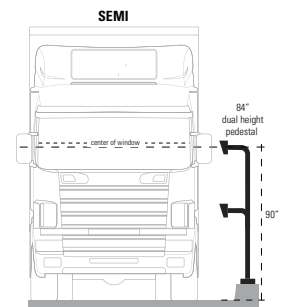
- Dual height for cars and trucks
- Universal design
- Heavy duty materials
- Steel construction
- Black wrinkle powder coating w/ UV protection
- NDAA, Buy American, or USMCA/CUSMA compliant
- Build To Order (BTO)
- Available direct or through distribution
- ADA compliant

CUSTOM OPTIONS

- Customize face plate
- Readily available powder coating colors (white, yellow, bronze, gray, silver)
- Choose any RAL powder color

DESCRIPTION

A low cost, dual-height, car-truck pedestal for mounting access control devices at gates. Place in wet cement or ground. Standing 72" tall, this pedestal will accommodate gate access for vehicles of all sizes including cars, SUV's, buses, semi-trucks, and other large commercial traffic.



Download Vehicle Height Chart for more details

RECOMMENDED ACCESSORIES

HOOD



Hood-CS-14x14

HOUSING



MC-PC-14-E-BLK

BUFFER PLATE



CS-ABP-1212

NECK EXTENSION

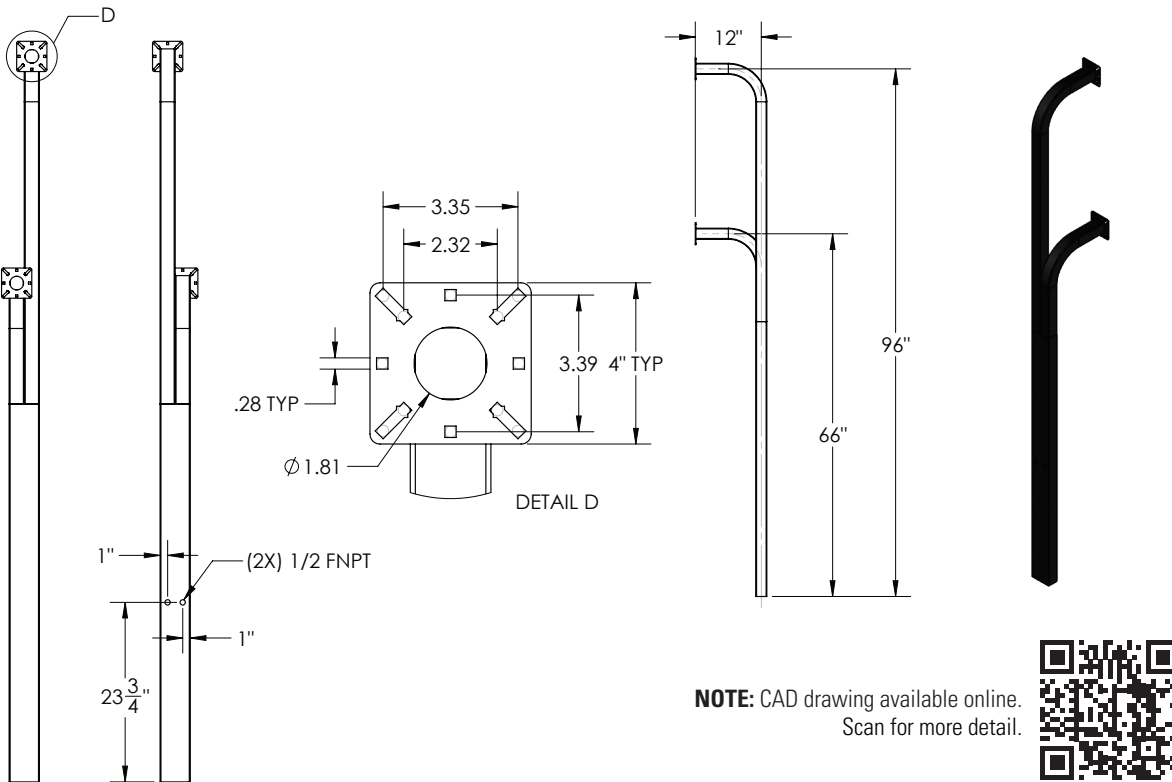


12-EXT-2

DIRECTIONAL HEAD



OMNI-4W5T-BLK



NOTE: CAD drawing available online.
Scan for more detail.



DATA & SPECS

Product Style	Gooseneck
Material	Steel
Tube	2" x 2" x .120" wall, and 2" x 4" x .120" wall, steel
Face Plate	.125" (11 gauge)
Base Plate	n/a
Cover Plate	n/a
Mounting Method	In-ground, wet cement
Pretreatment	High pressure/high temperature phosphate wash and rinse
Finish	Black wrinkle powder coating (TGIC outdoor polyester)
UV Protection	Yes
Hardware	1/4-20 carriage bolts and nuts (qty 4 each, zinc plated)
Packaging	Foam wrapped and boxed individually
Package Size	100 x 15 x 10
Weight	55 lbs
Shipping Method	UPS, FedEx, or LTL freight
Compliance	NDAA, Buy American, or USMCA/CUSMA (see website for details)
Warranty	1 year limited (see website for details)
Inventory Status	Build To Order (Fast Track production is available)

SIMILAR PRODUCTS

