

12-Inch Touchscreen

VIDEO INTERCOM SYSTEM
GHVIG3-12T

GateHawk produces powerful, easy-to-use intercoms for modern communities.

KEY FEATURES:

- Online credential management
- Visitor access management
- One-way video call
- Two-way voice call
- Stainless steel face
- Powder-coated enclosure
- Smartphone credential (*Bluetooth LE*)
- 125KHz fob support



DIMENSIONS: 13.25"(W) x 16"(H) x 3.8"(D)

POWER SUPPLY: 24VAC
(transformer provided)

DISPLAY: 1024 x 768 screen resolution
 1200 screen display nits

CONNECTIVITY: Wired Ethernet
 Wiegand
 2 Form C Relays

CREDENTIALS ACCEPTED: RFID
 Bluetooth capable smartphone
 QR code

OPERATING CONDITIONS: -20C to 55C / -4°F to 131°F

Weather shield (model GHWSG3) available for extra protection in extreme weather conditions

WARRANTY: GateHawk provides a three-year Limited Product Warranty from the date of shipment.

WIRING REQUIRED:

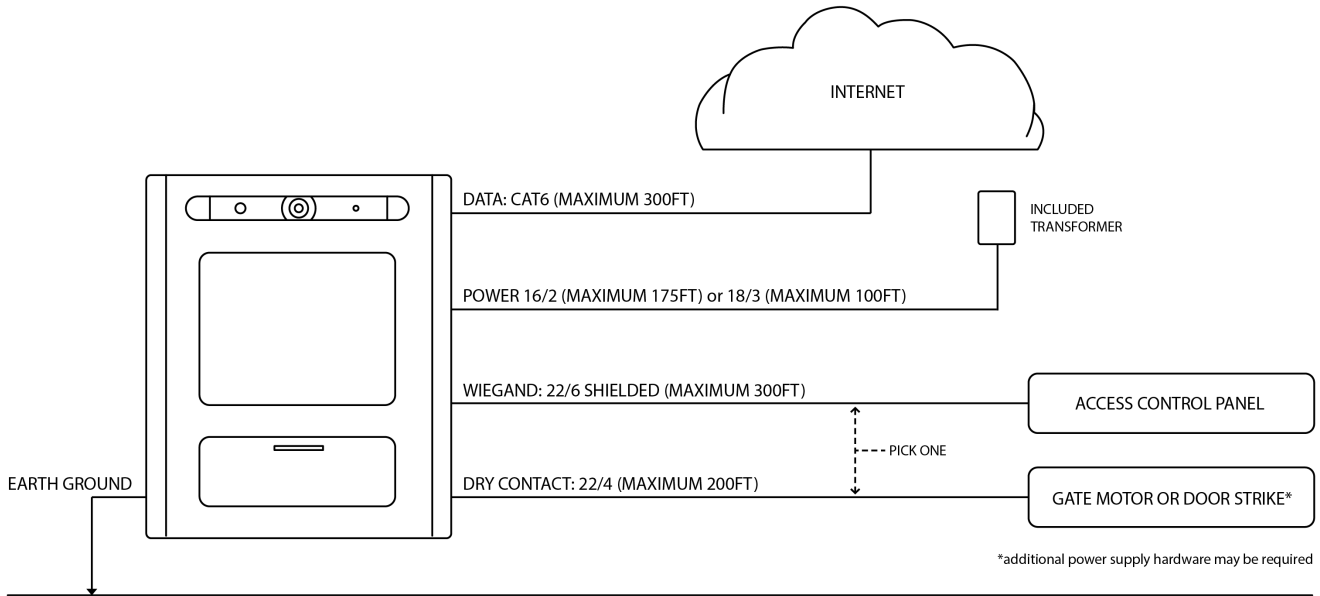
Power 14/2 (max 275ft) or 16/2 (max 175ft) or 18/2 (max 100ft)

Wiegand 22/6 shielded (max 300ft)

Relays 22/4 (minimum AWG)

Earth Ground a single conductor 16 awg wire is required for earth ground to the nearest stake or cold water pipe

Internet connection CAT5e or CAT6



10-Inch with Keypad

VIDEO INTERCOM SYSTEM

GHVIG3-10K

GateHawk produces powerful, easy-to-use intercoms for modern communities.

KEY FEATURES:

- Online credential management
- Visitor access management
- One-way video call
- Two-way voice call
- Stainless steel face
- Powder-coated enclosure
- Smartphone credential (*Bluetooth LE*)
- 125KHz fob support



DIMENSIONS: 13.25"(W) x 16"(H) x 3.8"(D)

POWER SUPPLY: 24VAC
(transformer provided)

DISPLAY: 1280 x 800 screen resolution
1000 screen display nits

CONNECTIVITY: Wired Ethernet
Wiegand
2 Form C Relays

CREDENTIALS ACCEPTED: RFID
Bluetooth capable smartphone
QR code

OPERATING CONDITIONS: -20C to 100C / -4°F to 212°F

Weather shield (model GHWSG3) available for extra protection in extreme weather conditions

WARRANTY: GateHawk provides a three-year Limited Product Warranty from the date of shipment.

WIRING REQUIRED:

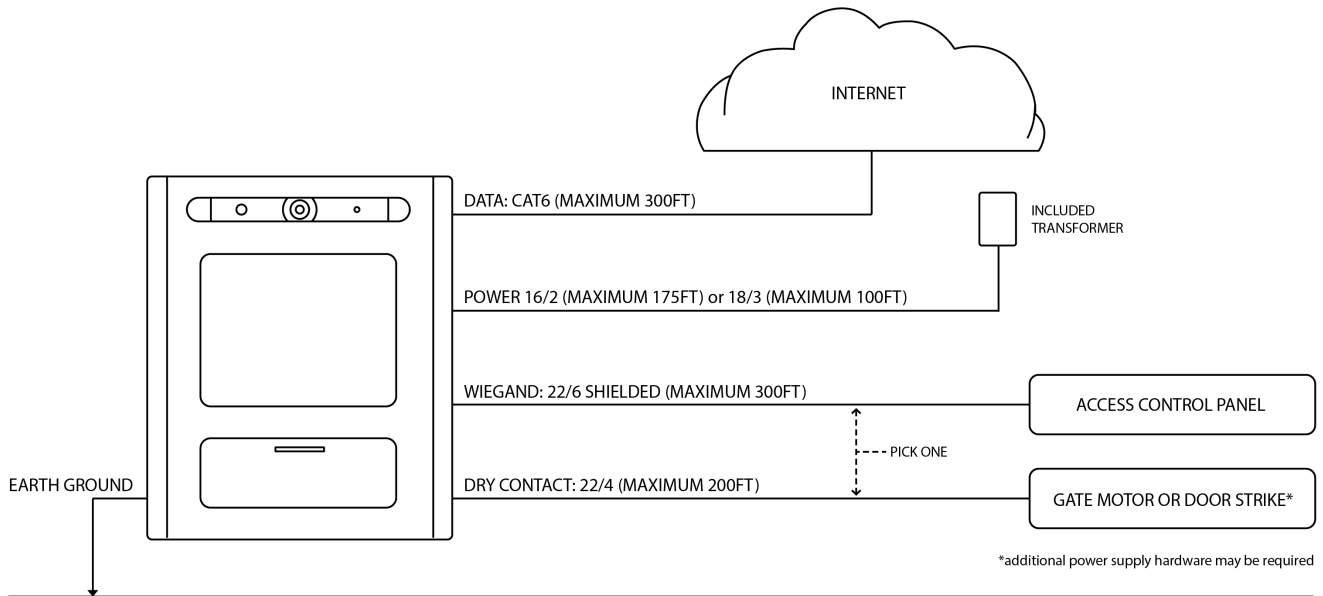
Power 14/2 (max 275ft) or 16/2 (max 175ft) or 18/2 (max 100ft)

Wiegand 22/6 shielded (max 300ft)

Relays 22/4 (minimum AWG)

Earth Ground a single conductor 16 awg wire is required for earth ground to the nearest stake or cold water pipe

Internet connection CAT5e or CAT6



7-Inch Video Intercom

VIDEO INTERCOM SYSTEM

GHVIG3-7K

GateHawk produces powerful, easy-to-use intercoms for modern communities.

KEY FEATURES:

- Online credential management
- Visitor access management
- One-way video call
- Two-way voice call
- Stainless steel face
- Powder-coated enclosure
- Smartphone credential (Bluetooth LE)
- 125KHz fob support



DIMENSIONS: 13.25"(W) x 16"(H) x 3.8"(D)

POWER SUPPLY: 24VAC
(transformer provided)

DISPLAY: 1024 x 600 screen resolution
1100 screen display nits

CONNECTIVITY: Wired Ethernet
Wiegand
2 Form C Relays

CREDENTIALS ACCEPTED: RFID
Bluetooth capable smartphone
QR code

OPERATING CONDITIONS: -20C to 55C / -4°F to 131°F

Weather shield (model GHWSG3) available for extra protection in extreme weather conditions

WARRANTY: GateHawk provides a three-year Limited Product Warranty from the date of shipment.

WIRING REQUIRED:

Power 14/2 (max 275ft) or 16/2 (max 175ft) or 18/2 (max 100ft)

Wiegand 22/6 shielded (max 300ft)

Relays 22/4 (minimum AWG)

Earth Ground a single conductor 16 awg wire is required for earth ground to the nearest stake or cold water pipe

Internet connection CAT5e or CAT6

