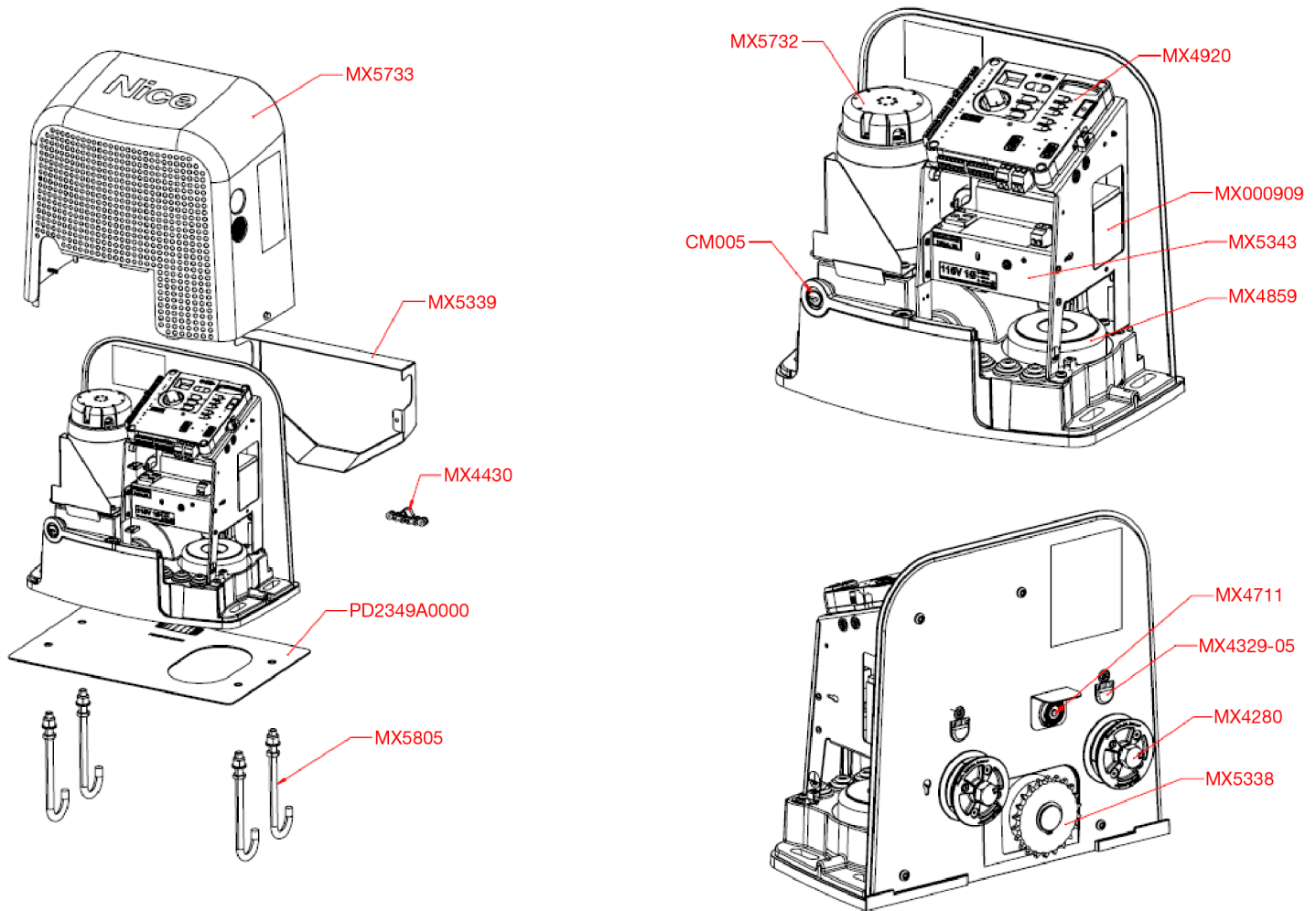


# Juno

## Residential Gate Operator



### Parts Diagrams



Part Number	Part Name
MX5733	Juno cover assembly
MX5339	Juno chain cover
MX4430	Target magnet assembly
PD2349A0000	Juno foundation plate
MX5805	Juno anchor hardware kit
MX5732	Juno motor assembly
CM005	Juno lock and key assembly
MX4920	Mercury 310 control board
MX000909	12VDC, 8AH battery
MX5343	Juno power supply assembly
MX4859	Transformer
MX4711	Alarm/buzzer
MX4329-05	Target magnet sensor
MX4280	Idler assembly
MX5338	40B22 main drive sprocket