

CANTILEVER ROLLERS



K-CRP SERIES

ROLLERS FOR CANTILEVER SLIDE GATES

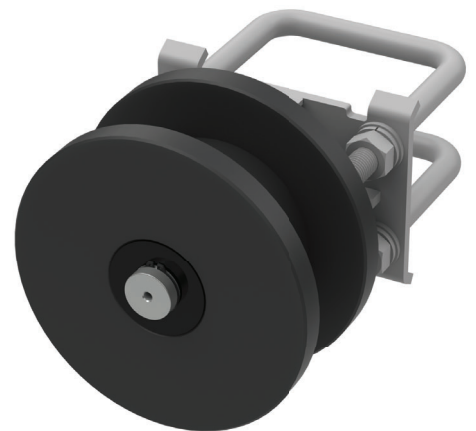
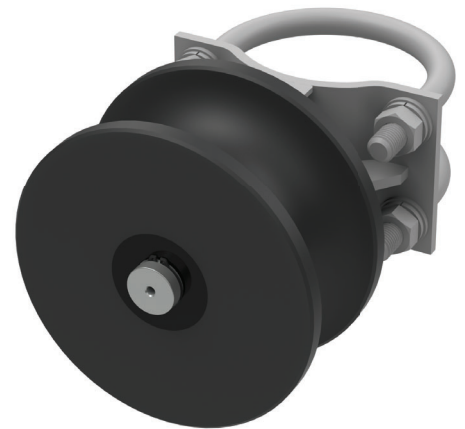
MODELS

K-CRPR6 (top)

fits 2-3/8" round gate frames and 4" round posts

K-CRPS22 (bottom)

fits 2" square gate frames and 4" square posts



FEATURES

- Magnets on bases for time-saving installation
- UHMW-polyethylene graphite-impregnated wheels
- Long-lasting sealed roller bearings
- Zinc-plated steel axles
- Zinc-coated steel bases and mounting hardware
- Tough UV-resistant protective covers included
- Rated up to 2,000 pounds when using 4 rollers*

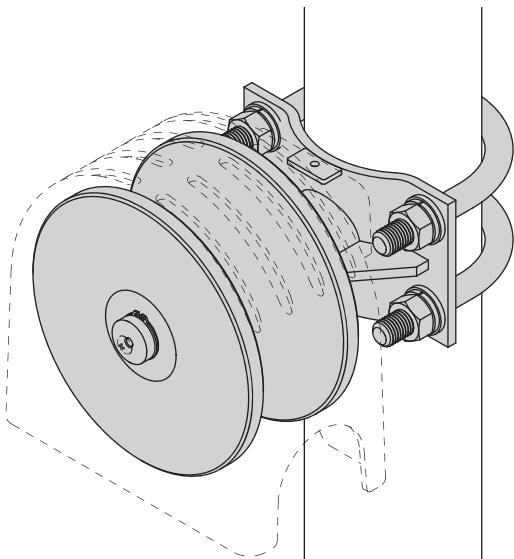
THE PERFECT FIT EVERY TIME

Whether you're building a gate with round stock or square, we have the roller for you. And magnets on the bases make install easy.

SMOOTH, QUIET, AND LONG LASTING

Advanced materials make our wheels extra smooth and quiet, and sealed roller bearings provide long life with very little maintenance.

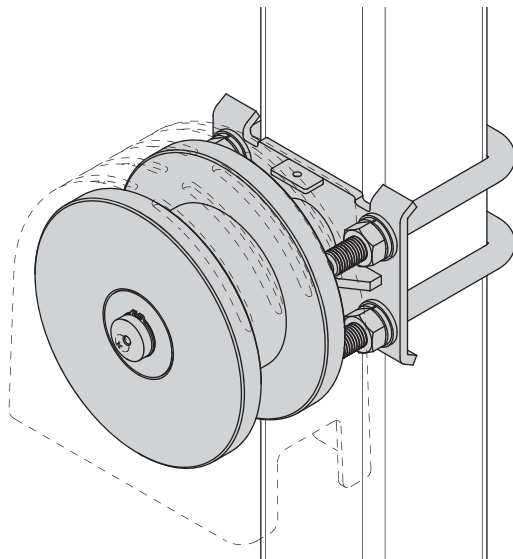
CANTILEVER ROLLERS



K-CRPR6

Cantilever Roller

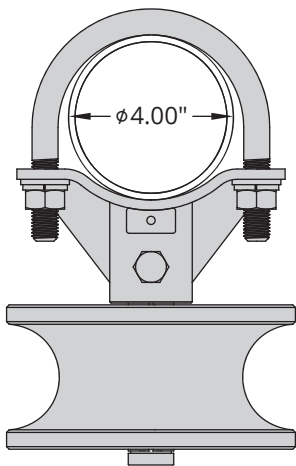
2-3/8-inch Round Frames, 4-inch Round Posts
(covers and mounting hardware included)



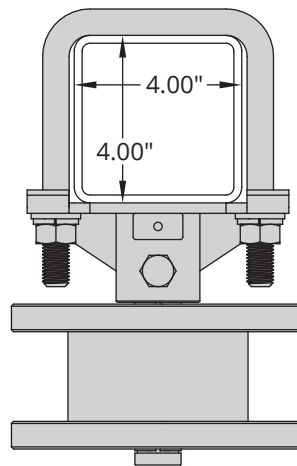
K-CRPS22

Cantilever Roller

2-inch Square Frames, 4-inch Square Posts
(covers and mounting hardware included)



TOP VIEW (INSTALLED)



TOP VIEW (INSTALLED)

MODEL	DESCRIPTION	SHIPPING WEIGHT
K-CRPR6	cantilever roller for round stock	13 lbs.
K-CRPS22	cantilever roller for square stock	13 lbs.

** For the longevity of your rollers and proper operation of your gate system, having a properly balanced gate is extremely important. Always use, or consult with, a professional fence fabricator when building your gate system.*

For more information, visit us online:
securitybrandsinc.com

 **SECURITY BRANDS INC**[™]
your *partner* in access control

(972) 474-6390 sales@securitybrandsinc.com 2210 Executive Dr
Garland, TX 75041