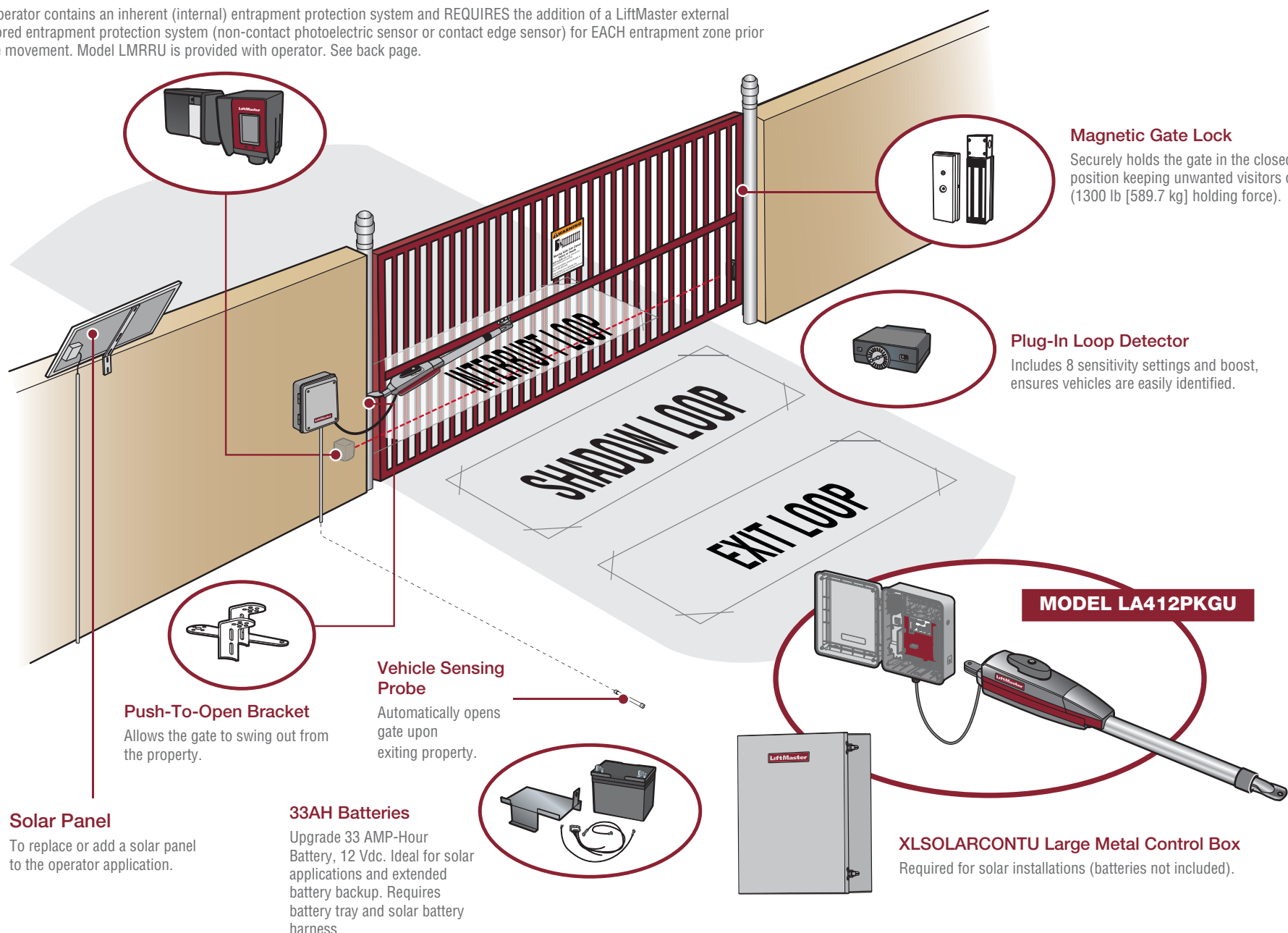


Gate Operator Site Plan

ACCESSORY OVERVIEW

Entrapment Protection Devices

This operator contains an inherent (internal) entrapment protection system and **REQUIRES** the addition of a LiftMaster external monitored entrapment protection system (non-contact photoelectric sensor or contact edge sensor) for EACH entrapment zone prior to gate movement. Model LMRRU is provided with operator. See back page.



Magnetic Gate Lock
Securely holds the gate in the closed position keeping unwanted visitors out (1300 lb [589.7 kg] holding force).

Plug-In Loop Detector
Includes 8 sensitivity settings and boost, ensures vehicles are easily identified.

Push-To-Open Bracket
Allows the gate to swing out from the property.

Vehicle Sensing Probe
Automatically opens gate upon exiting property.

Solar Panel
To replace or add a solar panel to the operator application.

33AH Batteries
Upgrade 33 AMP-Hour Battery, 12 Vdc. Ideal for solar applications and extended battery backup. Requires battery tray and solar battery harness.

XLSOLARCONTU Large Metal Control Box
Required for solar installations (batteries not included).


ORDER SUMMARY

Customer:	Date:
Project:	
Architect/Engineer:	
Contractor:	
Gate Length (ft.):	Gate Weight (lbs.):
Solar (Y/N):	

LiftMaster gate operators comply with UL 325 standards. **IMPORTANT:** To be compliant with UL 325 and industry safety guidelines, LiftMaster qualified monitored external entrapment protection devices such as photoelectric sensors or edge sensors are required to be installed with this operator.


ACCESSORY CHECKLIST

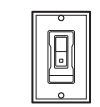
- | ACCESSORY | MODEL |
|--|---------------|
| <input type="checkbox"/> Entrapment Protection Devices | See back page |
| <input type="checkbox"/> Plug-In Loop Detector | LOOPDETLM |
| <input type="checkbox"/> Magnetic Gate Lock | MG1300 |
| <input type="checkbox"/> Push-to-Open Bracket | 50-19503 |
| <input type="checkbox"/> Vehicle Sensing Probe | 50-CP3 |
| <input type="checkbox"/> Universal DIP Single Button Remote Control | 811LM |
| <input type="checkbox"/> Security+ 2.0® 2-Button Remote Control | 892LT |
| <input type="checkbox"/> Security+ 2.0® 4-Button Remote Control | 894LT |
| <input type="checkbox"/> Wireless Commercial Keypad | KPW250 |
| <input type="checkbox"/> LiftMaster Internet Gateway | 828LM |
| <input type="checkbox"/> Garage and Gate Monitor | 829LM |
| <input type="checkbox"/> Remote Light Switch | 823LM |
| <input type="checkbox"/> Single Entry Access Control Keypad and Proximity Reader | KPR2000 |
| SOLAR | |
| <input type="checkbox"/> 10 Watt 12V Solar Panel | SP10W12V |
| <input type="checkbox"/> 20 Watt 12V Solar Panel | SP20W12V |
| <input type="checkbox"/> Large Metal Control Box for Solar | XLSOLARCONTU |
| <input type="checkbox"/> 33AH Batteries | A12330SGLPK |
| <input type="checkbox"/> Battery Tray for 33AH batteries | K10-36183 |
| <input type="checkbox"/> Solar Battery Harness | K94-37236 |


 **Universal DIP Single Button Remote Control**
These remote controls are ideal for applications such as gated communities or commercial applications requiring a large number of remotes for a common entrance.

 **2-Button and 4-Button Security+ 2.0® Learning Remote Controls**
These remote controls are ideal for gated communities. One button can control a gate operator and the other(s) can control a garage door. It can also be programmed to different codes and frequencies.

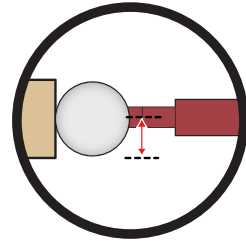
 **LiftMaster® Internet Gateway**
Internet enabled accessory which connects to the computer and allows you to monitor and control gate operators and lighting accessories enabled by MyQ® technology.

 **Garage and Gate Monitor**
Monitor and close up to four garage doors or gate operators from any room in the house.

 **Remote Light Switch**
Controls light remotely, in your garage, yard or home.

 **Single Entry Access Control Keypad and Proximity Reader**
The KPR2000 is a feature-rich Keypad and proximity card reader access controller that is simple to install and looks great, making it an excellent choice for both residential and commercial applications.

GATE CONSTRUCTION & SITE PREPARATION

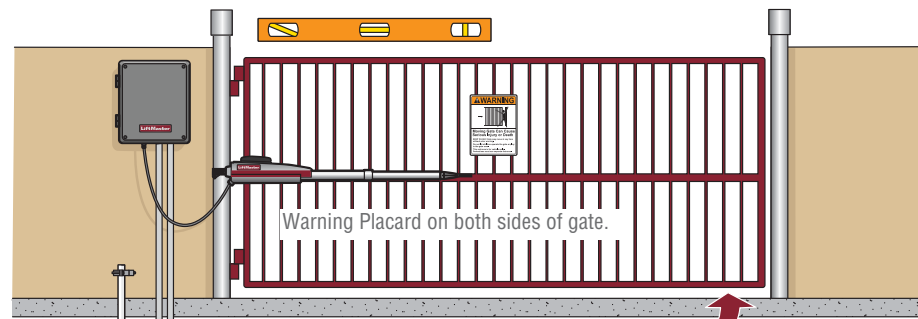


There should only be a maximum of 4" (10.2 cm) from the center of the hinge to the edge of the post or column. If the distance is greater than 4" (10.2 cm) entrapment protection for this area is required.

Maximum gate weight/length:
 850 lbs. (385.6 kg) / 10 ft (3.0 m)
 750 lbs. (340.2 kg) / 12 ft (3.7 m)
 650 lbs. (294.8 kg) / 14 ft (4.3 m)
 550 lbs. (249.5 kg) / 16 ft (4.9 m)

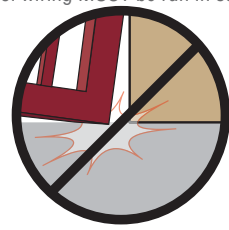
Gate MUST swing freely and be supported entirely by its hinges.

Gate MUST be level. Gate and gate post MUST be plumb.



High and Low Voltage UL approved conduit. Power and control wiring MUST be run in separate conduits

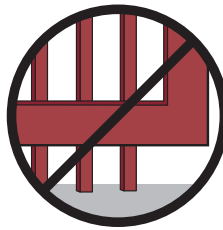
Earth Ground Rod
 Check national and local codes for proper depth



Gate MUST NOT hit or drag across ground.



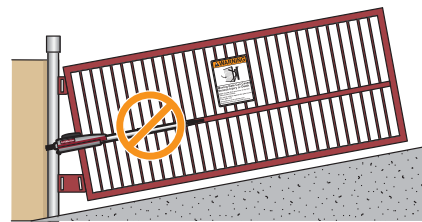
Remove ANY/ALL wheels from the bottom of gate.



Gate MUST have a smooth bottom edge, no protrusions should exist.



DO NOT weld the crossbar on just a few pickets, or they could bend.



DO NOT install on uphill or downhill gates.



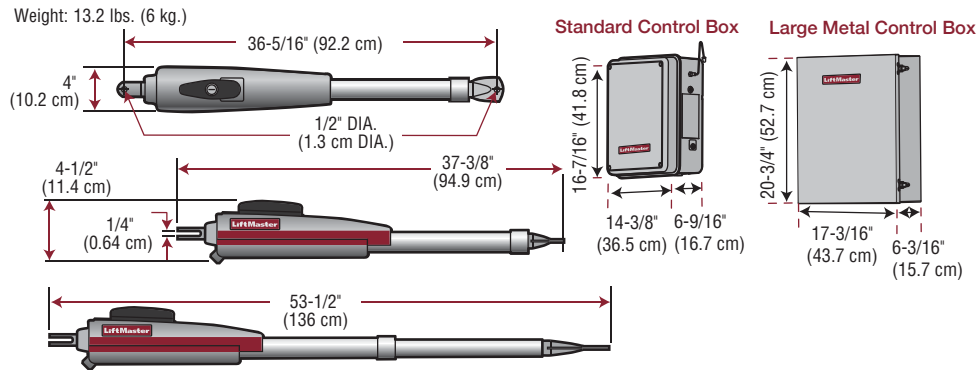
DO NOT install on ANY pedestrian passageways, doorways, or gates.



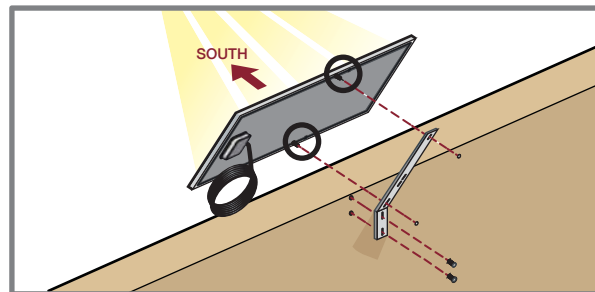
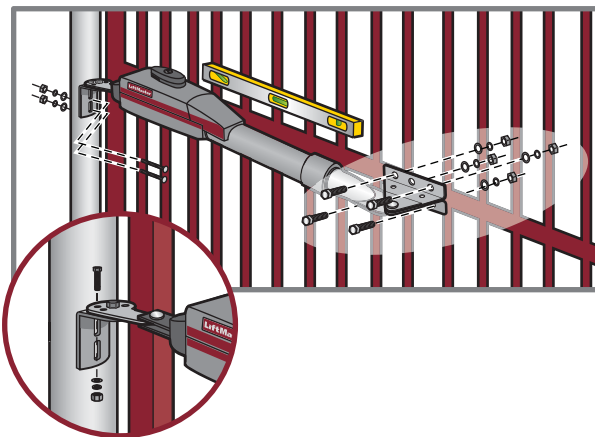
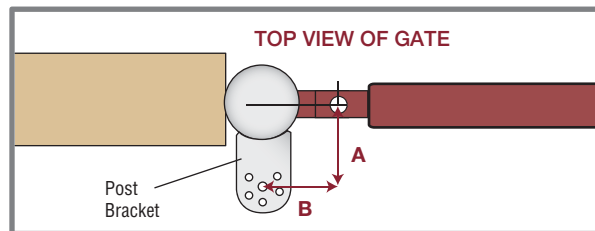
DO NOT install next to sprinklers or any area that may expose the bottom of operator to water.

INSTALLATION OVERVIEW

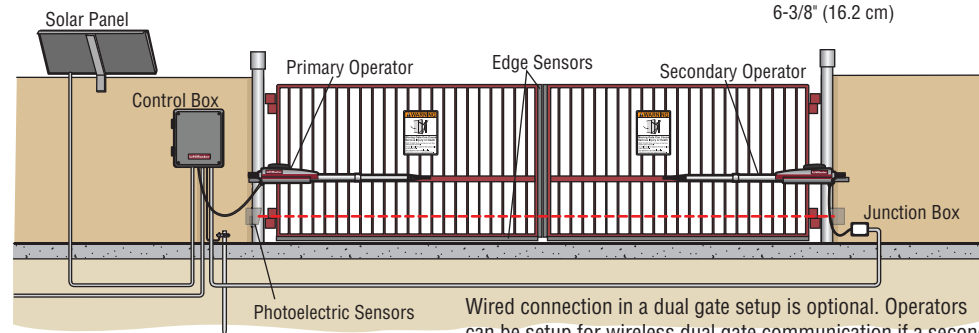
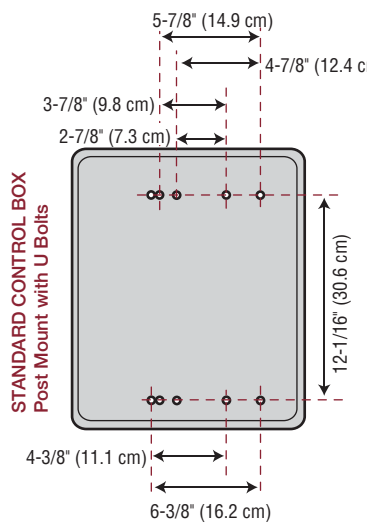
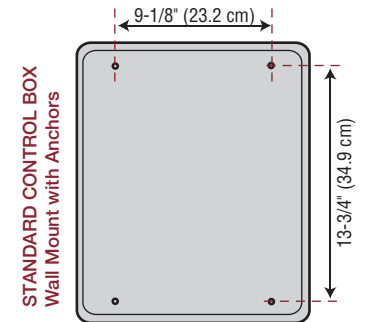
OPERATOR DIMENSIONS



STANDARD DUAL GATE INSTALLATION



DIMENSION CHART	
A	B
7" (17.8 cm)	7" (17.8 cm)
8" (20.3 cm)	6" (15.2 cm)
7-1/2" (19.1 cm)	7-1/2" (19.1 cm)
6-1/2" (16.5 cm)	6-1/2" (16.5 cm)
6" (15.2 cm)	6" (15.2 cm)



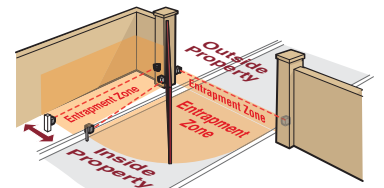
Wired connection in a dual gate setup is optional. Operators can be setup for wireless dual gate communication if a second control box is purchased.

ENTRAPMENT PROTECTION

This operator contains an inherent (internal) entrapment protection system and REQUIRES the addition of a LiftMaster external monitored entrapment protection system (non-contact photoelectric sensor or contact edge sensor) for EACH entrapment zone prior to gate movement. An entrapment zone is every location or point of contact where a person can become entrapped between a moving gate and a stationary object. Your application may contain one or many entrapment zones. System includes three monitored entrapment protection inputs capable of covering all entrapment zones (and a total of six inputs with the optional expansion board). Use only LiftMaster approved entrapment protection devices.

NON-CONTACT SENSORS

- Model LMTBU**
LiftMaster Monitored Through Beam Photoelectric Sensor
- Model LMRRU**
LiftMaster Monitored Retro-Reflective Photoelectric Sensor
NOTE: LMRRU is provided with the operator
- Model CPS-UN4**
LiftMaster Commercial Protector System®



If the distance between the open gate and the wall is less than 16" (40.6 cm) entrapment protection for this area is required. Entrapment protection is required for the area between the gate and the curb.

CONTACT SENSORS (EDGE SENSORS)

- Model LMWEKITU**
LiftMaster Monitored Wireless Edge Kit (Transmitter and Receiver)
- Model LMWETXU**
LiftMaster Monitored Wireless Edge Transmitter
- Model L50**
Large Profile Monitored Edge (82 ft. roll)
- Model L50E**
Large Profile Ends Kit (pair, pack of 10)
- Model L50CHP**
Channel for both Large and Small Profiles - PVC (8 ft., pack of 10)
- Model L50CHAL**
Channel for both Large and Small Profiles - Aluminum (10 ft., pack of 8)
- Model S50**
Small Profile Monitored Edge (82 ft. roll)
- Model S50E**
Small Profile Ends Kit (pair, pack of 10)
- Models L504AL, L505AL, and L506AL**
Large Profile Edge - Aluminum Channel (4 ft, 5 ft, 6 ft)
- Models S504AL, S505AL, and S506AL**
Small Profile Edge - Aluminum Channel (4 ft, 5 ft, 6 ft)
- Model ETOOL**
Edge Cutting Tool

For a gate operator utilizing a contact sensor, if the bottom edge of a swing gate is greater than 6 inches (15.2 cm) above the ground at any point in its arc of travel, one or more contact sensors shall be located on the bottom edge.

If utilizing a contact sensor as entrapment protection, one or more contact sensors shall be located on the inside and outside leading edge of a swing gate.

