

COMMERCIAL SWING GATE OPERATORS

Model SWG

SWG COMMERCIAL

- Integral APeX Controller
- 1/2, 3/4, or 1 HP motor
- C-face direct to gear box design
- All voltages, single or three-phase
- Powder coat finish
- Post mount standard;
pad mount optional

Linear[®]
Building On Innovation.



All Models ETL Listed;
UL325 Compliant



Supporters and Proud Members of



SWG SERIES SWING GATE OPERATOR SPECIFICATIONS

Model	HP	Voltage Single-Phase (Voltage Three-Phase)	Maximum Gate Width	Maximum Gate Weight	Seconds to Open Gate	Shipping Weight
SWG-2	1/2	115 / 230 VAC (208 / 230 / 460 VAC)	18'	700 lbs	15	275 lbs
SWG-4	3/4	115 / 230 VAC (208 / 230 / 460 VAC)	22'	900 lbs	15	275 lbs
SWG-1	1	115 / 230 VAC (208 / 230 / 460 VAC)	26'	1000 lbs	15	275 lbs

ELECTRICAL

- Solid state 24V control board UL325/UL991 compliant
- Diagnostic LED display for ease of setup and trouble shooting
- 1/2, 3/4, or 1 HP, 115 or 230 VAC, single phase, thermally protected, heavy-duty PSC motor; 1/2, 3/4, or 1 HP, 230 or 460 VAC, three-phase heavy-duty motor
- Integral entrapment sensing system with digital set point for accurate adjustment and enhanced safety
- Built-in dual gate capability using 3-wire shielded cable
- 24V DC power available for access control accessories
- Continuous-tone entrapment alarm with reset button
- Integrated warning beeper during gate movement
- Selectable pre-start alarm with provision for ADA compliant visual pre-start and run alarm

**MECHANICAL**

- Heavy-duty 60:1 right-angle C-face gear reducer
- Heavy-duty gate arm assembly with harmonic design for smoother starts and stops
- Over-center gate arm "locking" angle
- Heavy-duty pillow-block bearings
- Adjustable torque limiter

1 APeX Controller

- UL325/UL991 compliant 24VDC control module
- Full featured for access control, security, and entrapment protection
- Integral MegaCode receiver
- On-board 3-button station

2 Direct C-Face Motor to Gear Box Drive

- Designed for smooth and dependable power transmission

3 Cam Operated Limit Switches

- For easy-to-set and dependable limit switch adjustments

4 Heavy-Duty Components

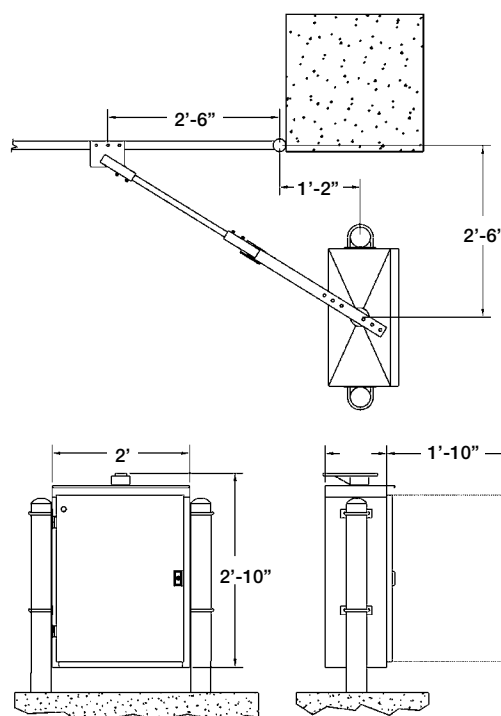
- Adjustable torque limiter and heavy-duty pillow block bearings for smooth, reliable, quiet power transmission
- All models rated for continuous duty

5 Weather-Resistant Cabinet

- Galvannealed steel cabinet with powder coat finish
- Lockable, gasketed, hinged, and removable front cover

6 Standard Convenience Features

- Exterior stop/reset button
- Power on/off button

**CAUTIONS**

- Automatic gates are not for pedestrians
- Automatic gate operators are designed for vehicular traffic only; operators are powerful and can cause serious injury or death; DIRECT ALL PEDESTRIAN TRAFFIC TO A SEPARATE PEDESTRIAN GATE
- UL325 requires use of contact or non-contact anti-entrapment devices
- ASTM F2200 requires that all exposed rollers are covered