

SWING GATE OPERATORS

Linear[®]

Building On Innovation.

SW Series

SWC COMMERCIAL

- 1/2 or 1 HP continuous-duty PSC motor
- 115 VAC or 230 VAC single phase

SWD COMMERCIAL/RESIDENTIAL

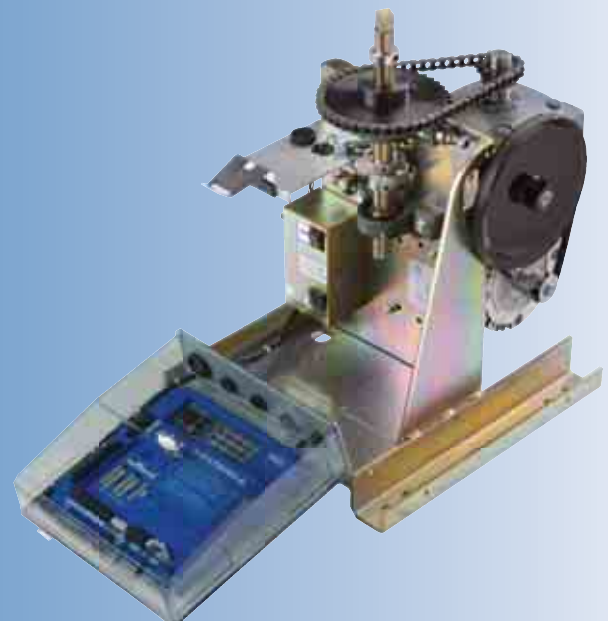
- DC-powered battery back-up with advanced soft start/soft stop motor control
- Full-time 1/2 HP DC motor
- Selectable fail-safe or fail-secure modes of operation
- Solar power capable

SWR RESIDENTIAL

- 1/2 HP PSC motor
- 115 VAC or 230 VAC single phase

COMMON FEATURES

- Crank style
- Black UV Stabilized polyethylene cover
- Pad mount standard; post mount optional
- Exterior reset button
- UL325/UL991 compliant APeX controller
- Fully integrated radio receiver



All Models ETL Listed;
UL325 Compliant



Supporters and Proud Members of



ELECTRICAL

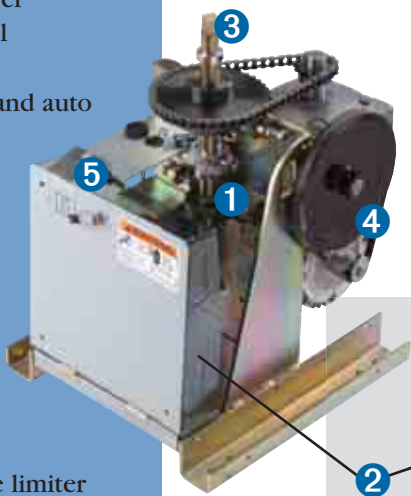
- Integral entrapment sensing system with digital set point for quick accurate adjustment and enhanced safety
- Continuous tone entrapment alarm with reset button
- Integrated programmable warning beeper during gate movement
- LED diagnostic display for ease of setup and troubleshooting
- Selectable pre-start alarm with provision for ADA compliant visual pre-start and run alarm
- Regulated 24 Volt DC power available for access control accessories
- Integrated maximum run and auto close timer (0-9 minutes)
- Built-in networked dual gate capability using 3-wire shielded cable

MECHANICAL

- Heavy-duty, zinc-plated, steel chassis
- Right-angle gear reducer
- 1" diameter output shaft
- Optional adjustable torque limiter
- Heavy-duty pillow block bearings
- Universal pad mount standard; optional post mount kit

SW SERIESSWING GATE OPERATOR SPECIFICATIONS

Model	HP	Voltage (Single Phase)	Drive Type	Maximum Gate Length	Maximum Gate Weight	Seconds to Open	Maximum Cycles
SWC	SWC-2	1/2	115 or 230 V	crank	17'	600 lbs	11-14 continuous duty
	SWC-1	1	115 or 230 V	crank	19'	1000 lbs	11-14 continuous duty
SWD	SWD-211	1/2	115V 24 VDC battery backup (solar charger optional)	crank	18'	700 lbs	11-14 continuous duty
SWR	SWR-211	1/2	115 V	crank	15'	500 lbs	11-14 150/day
	SWR-221	1/2	230 V	crank	15'	500 lbs	11-14 150/day



1 Cam Operated Limits

Easily accessible through access door

2 APeX Controller

- UL325/UL991 compliant 24 VDC control module
- Full featured for access control, security, and entrapment protection

3 Steel Crank

- Easily removable
- Integrated manual disconnect

4 Heavy-Duty Components

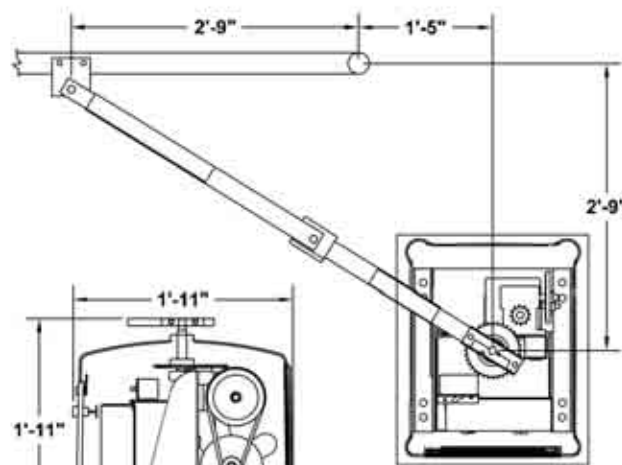
Gear reducer and pillow block bearing for smooth, reliable, quiet power transmission

5 Standard Convenience Features

- Exterior reset button
- Power on/off button
- Accessory power outlet on 115 V machines
- Integrated 3-button station



Dimensions



CAUTIONS



- Automatic gates not for pedestrians
- Automatic gate operators designed for vehicular traffic only; operators are powerful and can cause serious injury or death; **DIRECT ALL PEDESTRIAN TRAFFIC TO SEPARATE PEDESTRIAN GATE**
- UL325 requires use of contact or non-contact anti-entrapment devices
- ASTM F2200 requires that all exposed rollers are covered