

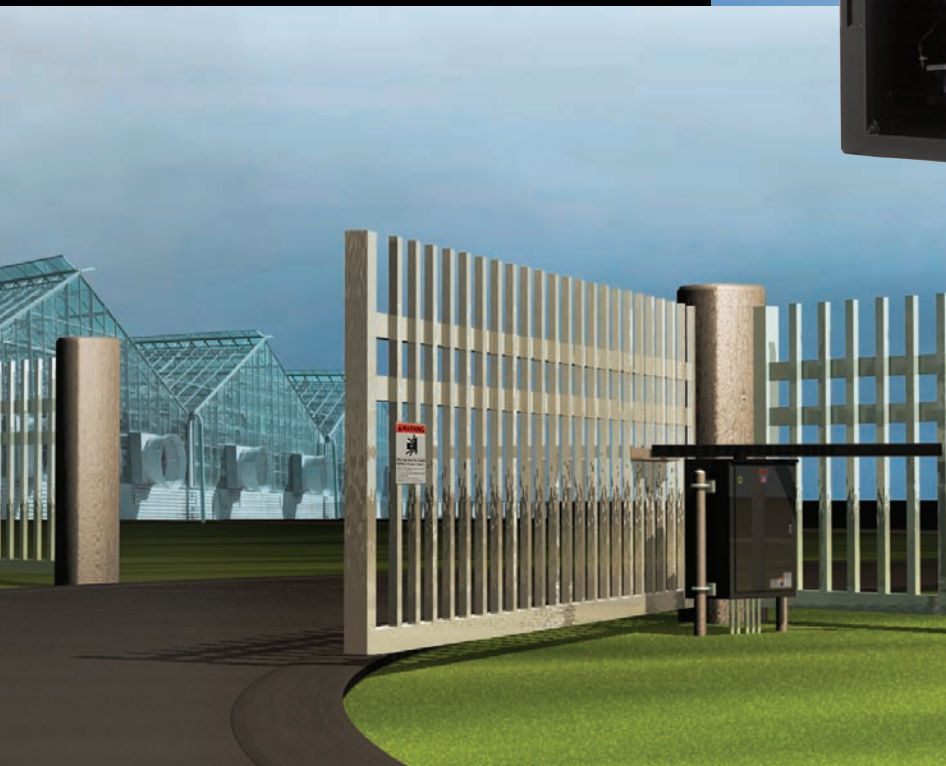
VARIABLE SPEED SWING GATE OPERATORS

Model VS-GSWG

VS-GSWG VARIABLE SPEED INDUSTRIAL

- Integral APeX Controller
- For large/heavy swing gates
- Continuous-duty industrial motor, 1/2, 1, or 2 HP
- Linear drive arm — for positive security
- Full variable speed
- Soft start/soft stop capability
- All voltages, single or three-phase
- Powder coat finish
- Post mount standard; pad mount optional

Linear[®]
Building On Innovation.



All Models ETL Listed;
UL325 Compliant



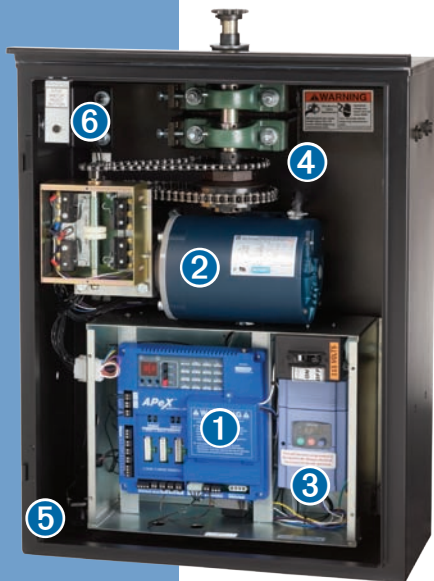
Supporters and Proud Members of



ELECTRICAL

- Solid state 24V control board UL325/UL991 compliant
- Diagnostic LED display for ease of setup and trouble shooting
- Variable speed — soft start/stop programmable through variable frequency drive
- 1/2, 1, & 2 HP industrial, continuous-duty, three-phase, 56-frame motors
- Integral entrapment sensing system with digital set point for accurate adjustment and enhanced safety
- Integrated maximum run and auto close timers
- Built-in dual gate capability using 3-wire shielded cable
- 24V DC power available for access control accessories
- Continuous-tone entrapment alarm with reset button
- Integrated warning beeper during gate movement
- Selectable pre-start alarm with provision for ADA compliant visual pre-start and run alarm

VS-GSWG SERIES SWING GATE OPERATOR SPECIFICATIONS								
Model	HP	Voltage Single-Phase (Voltage Three-Phase)	Drive Type	Maximum Gate Length	Maximum Gate Weight	Seconds to Open	Shipping Weight	
VS-GSWG	VS-GSWG-2	1/2	115 / 230 VAC (208 / 230 / 460 VAC)	linear	28'	1000 lbs	18-22	295 lbs
	VS-GSWG-1	1	115 / 230 VAC (208 / 230 / 460 VAC)	linear	32'	1200 lbs	18-22	295 lbs
	VS-GSWG-7	2	115 / 230 VAC (208 / 230 / 460 VAC)	linear	36'	1500 lbs	18-22	300 lbs

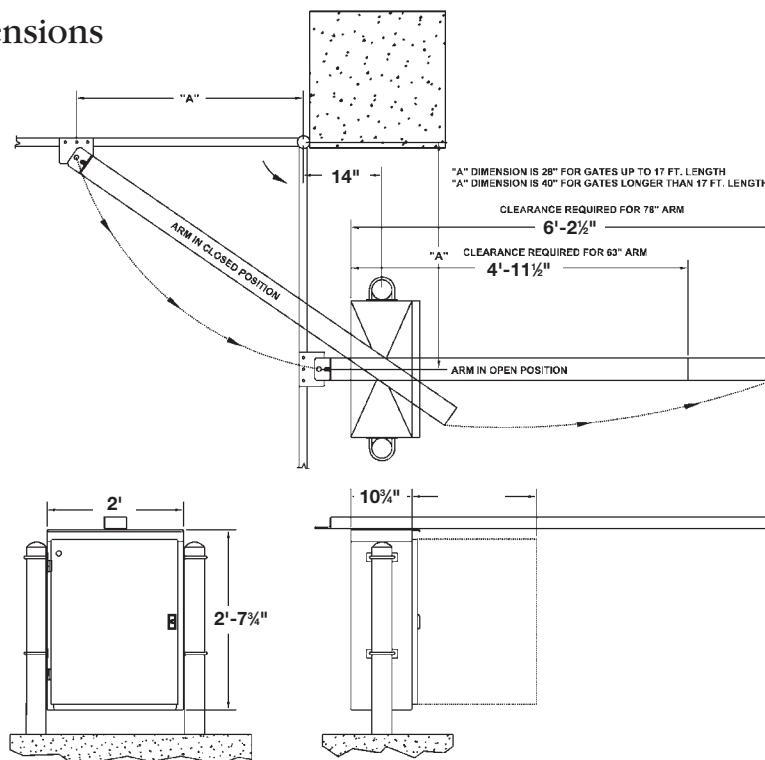


- 1 APeX Controller**
 - UL325/UL991 compliant 24VDC control module
 - Full featured for access control, security, and entrapment protection
 - Integral MegaCode receiver
 - On-board 3-button station
- 2 Direct C-Face Motor to Gear Box Drive**
 - Designed for smooth and dependable power transmission
- 3 Variable Drive Speed**
 - Programmable variable speed controller for smooth gate operation and high gate speed
- 4 Heavy-Duty Components**
 - Adjustable torque limiter and heavy-duty pillow block bearings for smooth, reliable, quiet power transmission
 - All models rated for continuous duty
- 5 Weather-Resistant Cabinet**
 - Galvannealed steel cabinet with powder coat finish
 - Lockable, gasketed, hinged, and removable front cover
- 6 Standard Convenience Features**
 - Exterior stop/reset button
 - Power on/off button

MECHANICAL

- Heavy-duty 60:1 right-angle C-face gear reducer
- Exclusive linear drive arm
- Heavy-duty pillow-block bearings
- Adjustable torque limiter

Dimensions



CAUTIONS



- Automatic gates are not for pedestrians
- Automatic gate operators are designed for vehicular traffic only; operators are powerful and can cause serious injury or death; DIRECT ALL PEDESTRIAN TRAFFIC TO A SEPARATE PEDESTRIAN GATE
- UL325 requires use of contact or non-contact anti-entrapment devices
- ASTM F2200 requires that all exposed rollers are covered