



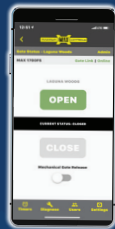
MAX Ultra Arm

Heavy Duty 24 Volt DC Linear Actuator
for Residential / Light Commercial use

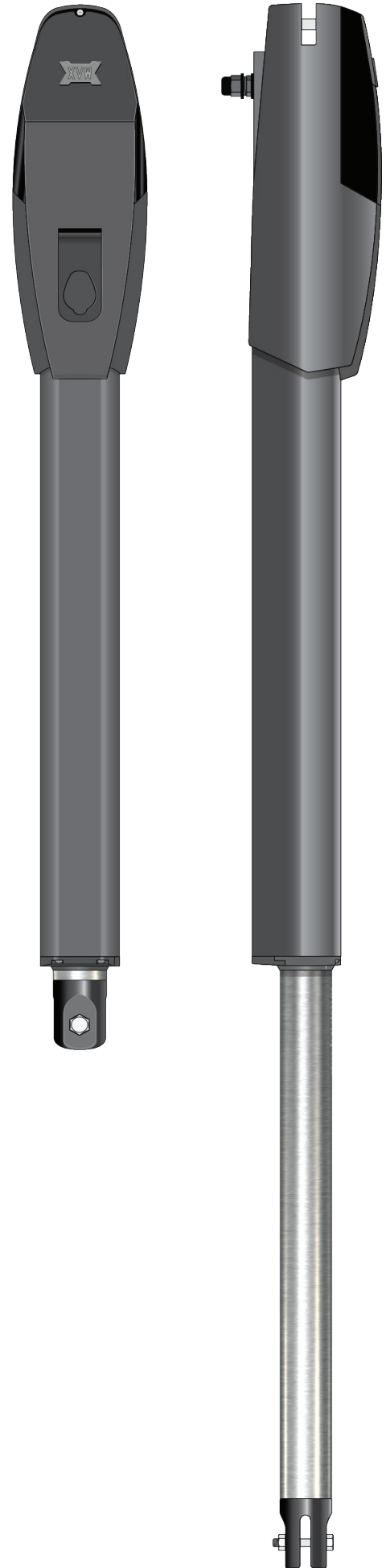
- Super quiet
- With Built in limit switches
- Large diameter stainless steel output shaft



**MAX AC
CONTROL BOX**
DSP Control



Optional Max App



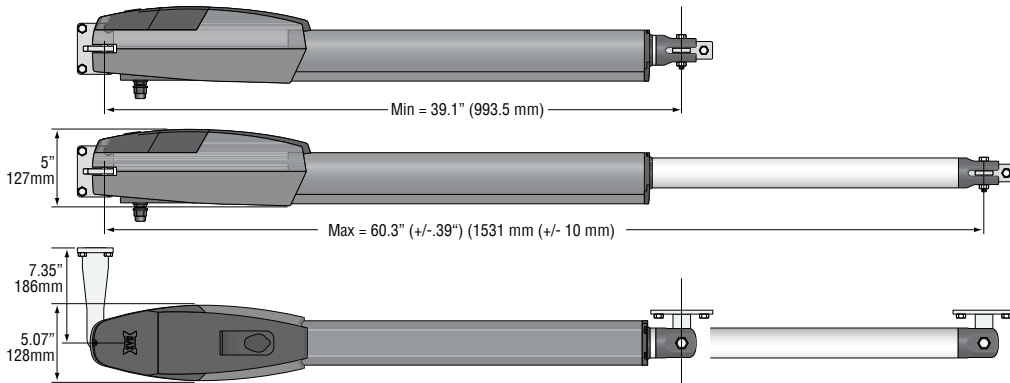
**2 Year Warranty
or 100,000 Cycles
whichever comes first**



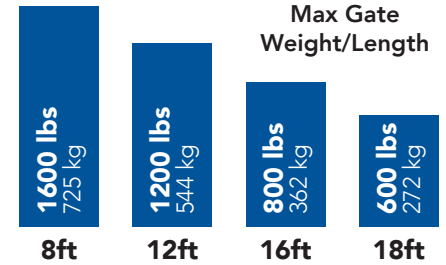


MAX ULTRA ARM FEATURE LIST

MECHANICAL SPECIFICATIONS



Gate Capacity



Power Supply	24 VDC
Max Stroke Length	21.2 in (540 mm)
Nominal Thrust	5500 N
Maximum Operating Current	6A for max 10 sec

- Shipping weight of Actuator: Max Ultra Arm (27 lbs)
- Shipping weight of AC Control Box (38 lbs)
- ✓ Stainless steel output shaft 2" tubular
- Direct gear drive (no internal chains, belts, or pulleys)
- ✓ Mechanical and electrical gate release functions
- Corrosion protection: powder coated aluminum housing
- Continue cycles at extreme temperature ranges. No overheating
- ✓ Limit Switch base Intelligent ramp-up and ramp-down for smooth gate operation

ELECTRICAL SPECIFICATIONS

- 24 Volt DC motor
- ✓ Two independently adjustable closing speed controls with 16 positions each
- Switchable 115/230 voltage selection
- ✓ Adaptive DSP motor control for advanced motion control
- ✓ Real time performance analyzer and event log (OBD PORT and Black Box)
- Magic Box enables low voltage wiring capabilities for remote power up to 1000 ft
- On-board switch for solar mode enables 5 milliamp idle in sleep mode
- ✓ Gold contact input connections and automobile grade connectors
- -4F? to 165F? (-20C to +74C) operational range including battery backup without a heater
- ✓ Robust lightning protection, up to 20K Volts and 10K Amps on all inputs and outputs (35 channels) including loop detector input connections

✓ = Unique to Max Ultra Arm

MAX ULTRA ARM FEATURE LIST

- Two selectable 16 position safety obstruction sensors, auto adaptable to gate weight and size, for independent control of open and close cycles
- ✔ Independent closing speeds for primary and secondary
- ✔ Dual motor overcurrent safety shut-off for additional protection
- ✔ Two 7amp batteries provides 500 cycles in case of power failure with three modes of battery backup, open once, leave open or leave closed
- On-board three button station
- ✔ On-board UL reset button

SECURITY SPECIFICATIONS

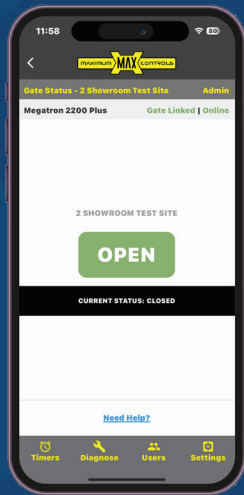
- ✔ High traffic intuitive loop management system for exceptional security
 - Advanced security features with built-in audible and remote alarms
 - Magnetic lock control relay outputs with selectable delay times
- ✔ Tamper alert relay output triggers "ON" if gate is forced open
 - Audible alarm if gate is tampered with or ERD is triggered for heightened security
 - Steel cover with lock protects against intruders and vandalism
- ✔ Gate disable feature disables all inputs with exception of the fire department and Max Open input for increased security
- ✔ Built-in transaction buffer
- ✔ Gate status outputs for gate monitoring
- ✔ Key activated jog function for emergency OPEN/CLOSE function
- ✔ Advanced anti-tailgate feature prevents unwanted intrusion

SAFETY SPECIFICATIONS

- UL 325/991 compliant Class I, II, III, and IV. CSA approved
- Built-in advanced entrapment protection and alarm output
- ✔ Built-in "gate-in-motion" alarm for industrial applications

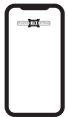
✔ = Unique to Max Ultra Arm

OPTIONAL



MAX CLOUD APP FEATURES

Affordable and unique APP control solution for the residential and commercial gate operator market. Compatible with Max Operators except Phantom F6 and 2000 Plus



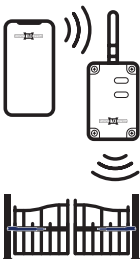
VIRTUAL TRANSMITTER:

- To open or close a gate from anywhere in the world - via Max Cloud App
- Supports >10,000 virtual transmitters



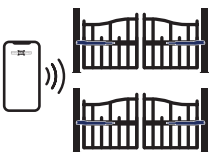
QUICK & RELIABLE APP COMMANDS:

- App uses a dedicated cloud server to issue gate OPEN & other commands within a second.
- Cellular data connectivity is more reliable than WiFi due to range limitations.
- Cloud based app does not use text messaging which has unpredictable delays.



MANAGE GATE SITES USING MAX CLOUD APP:

- Add Admin users that can manage the gate site database.
- Add users with optional time restrictions
- Issue temporary Guest Passes for visitors
- With Max Keypad option: Program keypad key codes, Wiegand key codes for card readers, radio receivers and transponders with time restrictions
- Setup Auto Open / Close Timer for Max operators
- Retrieve Event log
- Retrieve Operator Diagnostics info: Error log



MULTIPLE GATE SITES SUPPORTED BY MAX CLOUD APP

- Gate sites can be controlled and monitored individually via app



SIMPLE AND SECURE APP LOGIN :

- Securely login to app using Cloud based authentication code. This avoids the need to remember passwords



USER FRIENDLY MENUS:

- Easy to program App Users & Guest passes with time restrictions.
- All programming is done on Max Cloud App - not a website portal

Heavy Duty 2" Tubular Stainless Steel

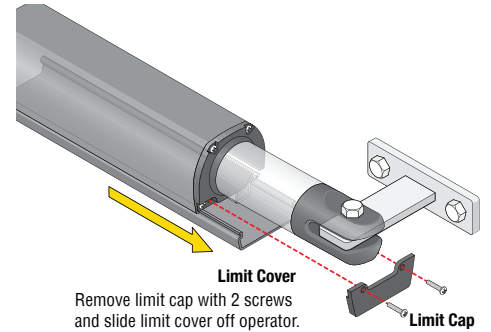
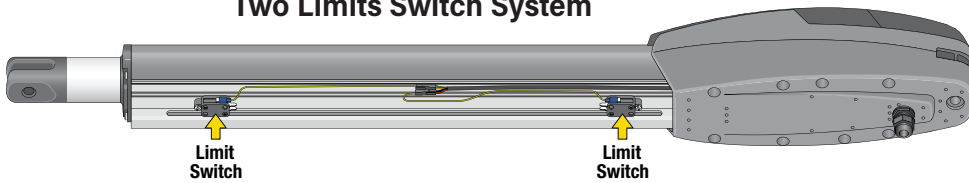


The Housing Made of Aluminum



Easy mechanical release with the key

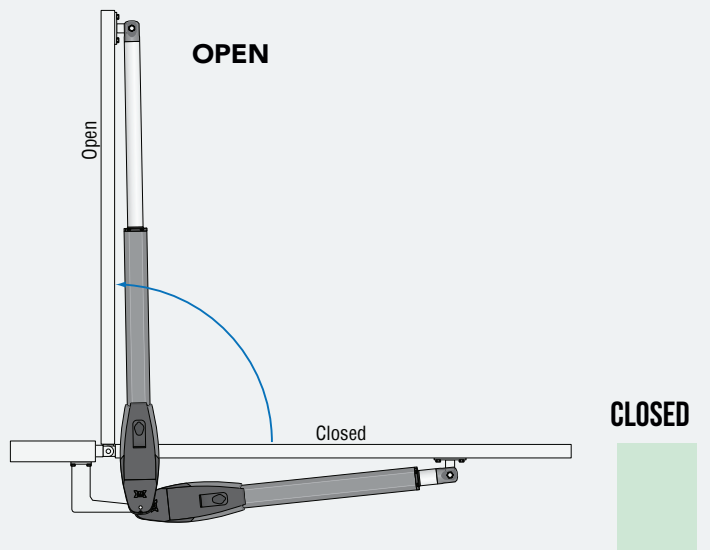
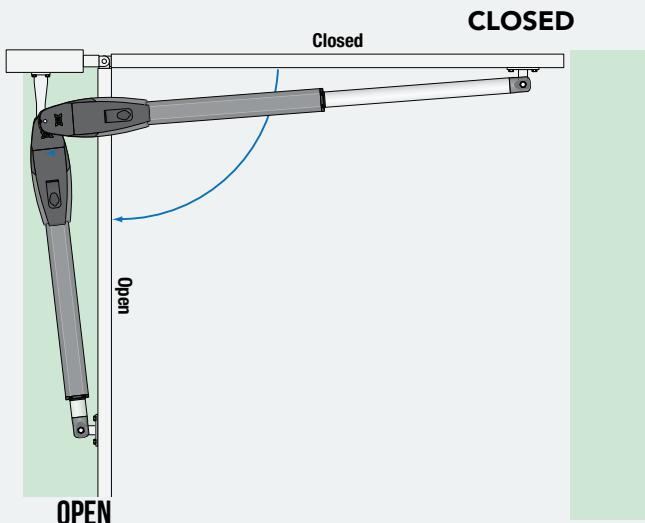
Two Limits Switch System



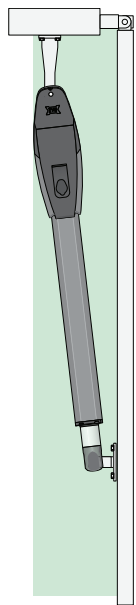
TWO INSTALLATION OPTIONS

PULL OPEN
INSIDE PROPERTY

PUSH OPEN
OUTSIDE PROPERTY

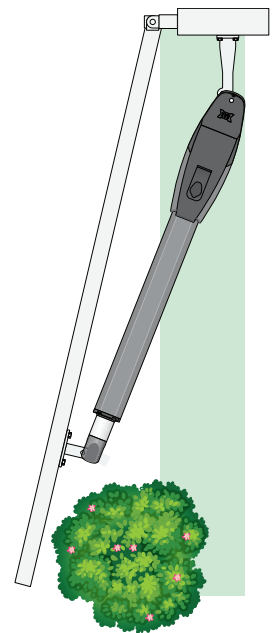


ASYMMETRIC SPEED CONTROL

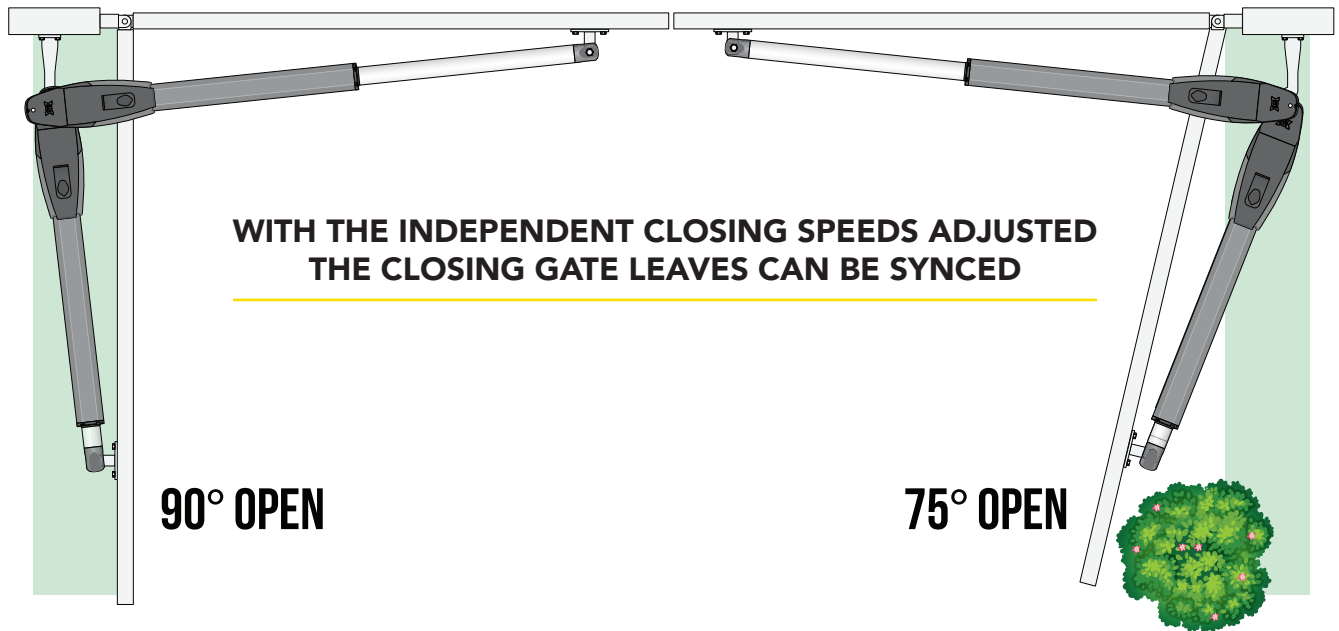


90° OPEN

OPENING ONE 90° AND THE OTHER IS 75°



75° OPEN



90° OPEN

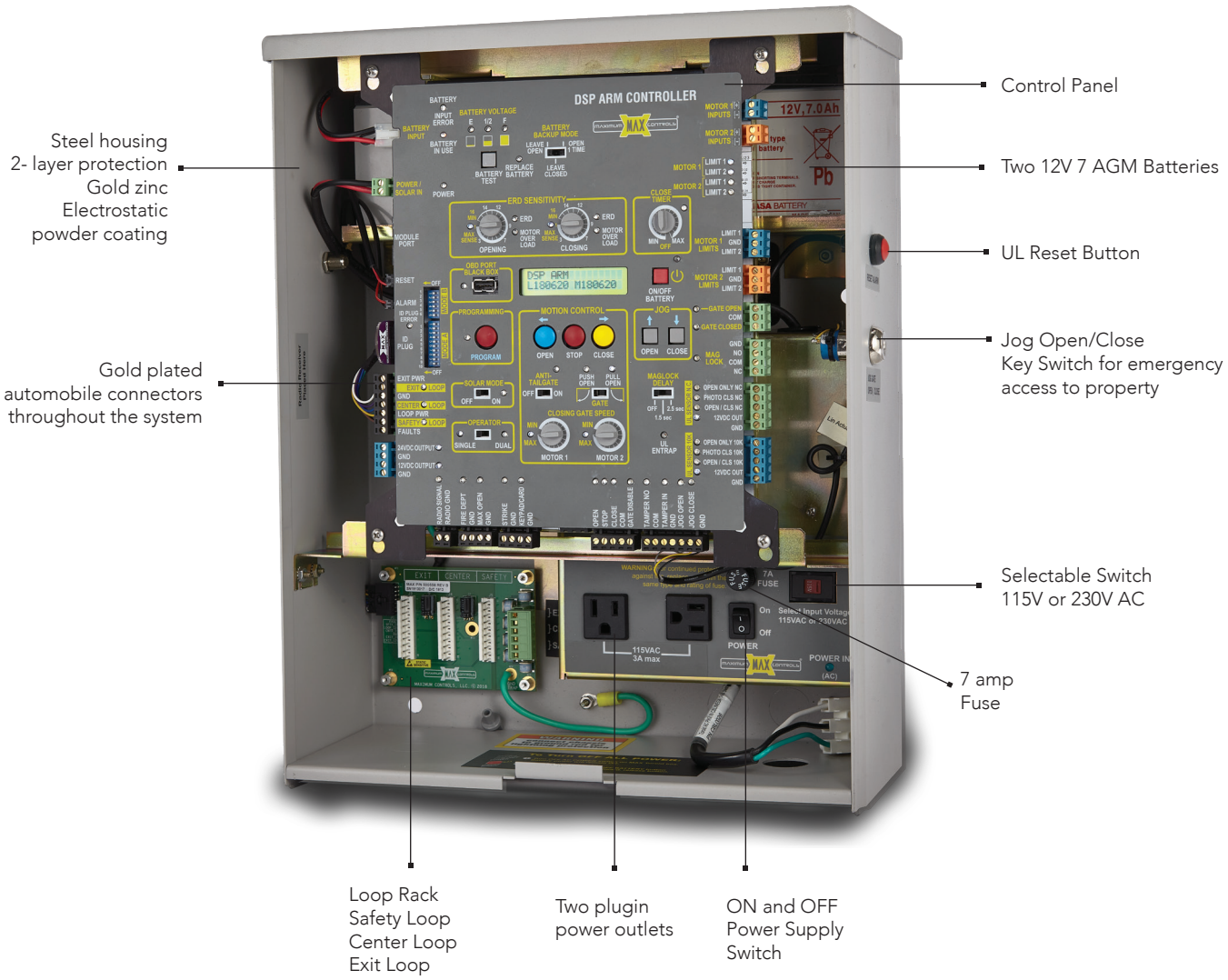
**WITH THE INDEPENDENT CLOSING SPEEDS ADJUSTED
THE CLOSING GATE LEAVES CAN BE SYNCED**

75° OPEN

For asymmetric installations the two independent closing speeds can be adjusted to achieve a smooth closing sync. Whichever gate closes first, slow it down. This enables the installer to visually sync the closing cycle.

This feature is unique to Maximum Control's actuators

AC CONTROL BOX



Steel housing
2- layer protection
Gold zinc
Electrostatic
powder coating

Gold plated
automobile connectors
throughout the system

Loop Rack
Safety Loop
Center Loop
Exit Loop

Two plugin
power outlets

ON and OFF
Power Supply
Switch

Control Panel

Two 12V 7 AGM Batteries

UL Reset Button

Jog Open/Close
Key Switch for emergency
access to property

Selectable Switch
115V or 230V AC

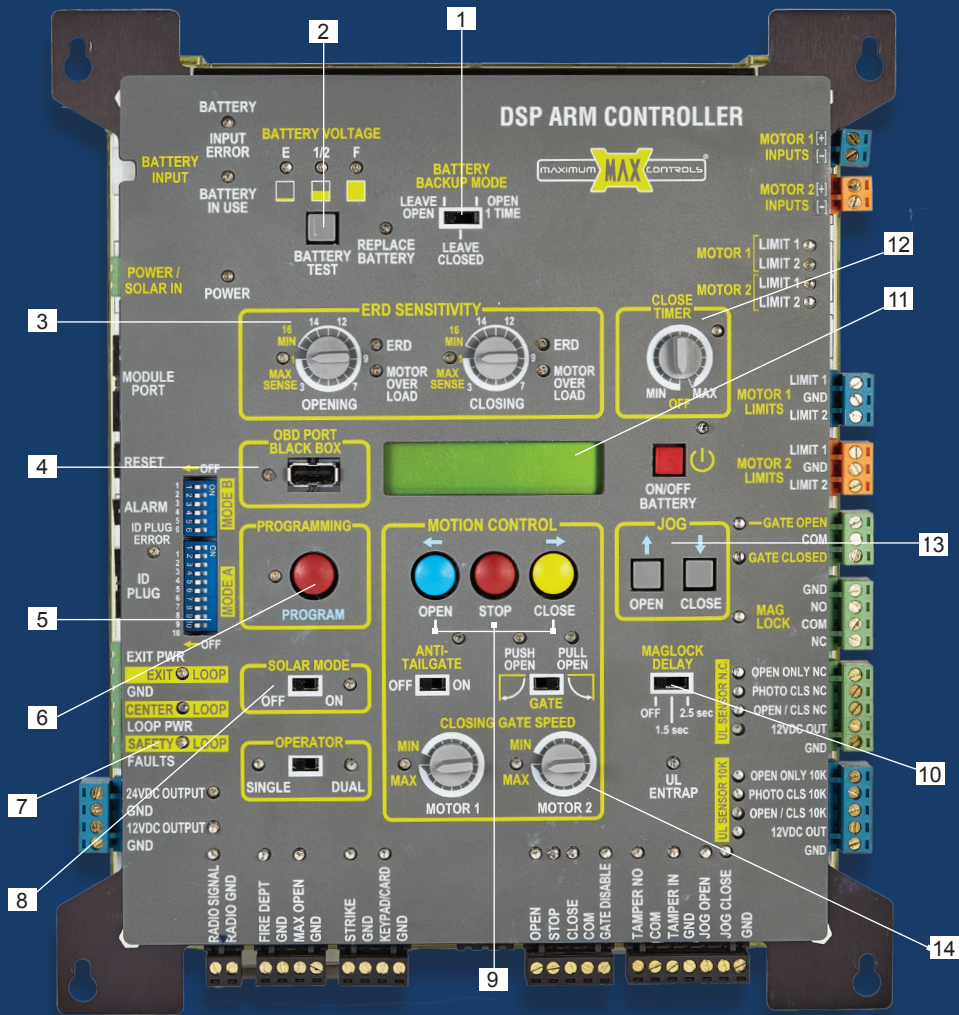
7 amp
Fuse

The AC Control Box features rugged metal construction that is gold zinc plated and powder coated. Each AC Control Box comes with an exterior UL reset button, a convenient jog key switch for emergency access or egress, a 10 amp power supply with two 115 VAC accessory outlets, two 7 amp batteries conveniently located behind the control panel, a loop rack and much more. A lockable steel cover finishes off this slick design.

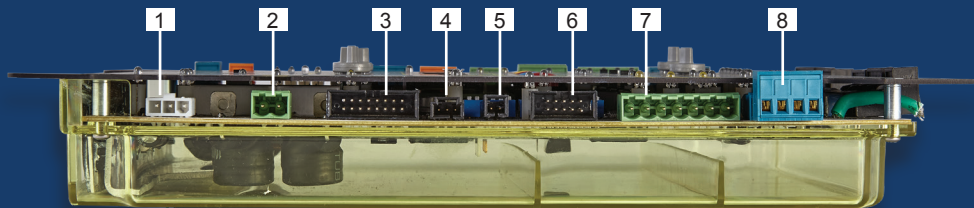
A convenient LCD display keeps you informed. Functional data and error messages are visible when an accessory failure or function is present. This makes troubleshooting and monitoring a breeze.

These many features can be explored in our downloadable installation manual available on max.us.com

CONTROL FEATURES AND CONNECTIONS



- | | | |
|-------------------------------|---------------------------|------------------------|
| 1. Battery Backup Mode Switch | 6. Program Button | 11. LCD Display |
| 2. Battery Test Switch | 7. Loop Status | 12. Close Timer Switch |
| 3. ERD Sensitivity | 8. Solar Mode Application | 13. Jog Open/Close |
| 4. OBD Port | 9. Motion Control Buttons | 14. Closing Gate Speed |
| 5. DIP Switches | 10. Maglock Delay | |



- | | |
|----------------------|---|
| 1. Battery Input | 5. UL Alarm |
| 2. Power/Solar Input | 6. ID Plug |
| 3. Module Port | 7. Loop Rack Input |
| 4. Reset | 8. 12VDC & 24VDC Limited Current Power Output |

MAX SOLAR CONTROL BOX

Steel housing
2-layer protection
Gold zinc
Electrostatic
Powder coating

Gold plated
Automobile connectors
through the system

SOLAR MODE
Switch to enable
low power draw for
solar mode

Loop Rack
OPTIONAL

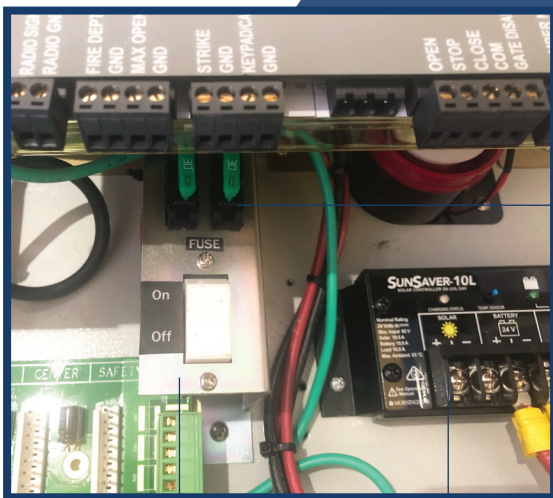
Control Panel

Two 12V 18 AH
(AGM Rechargeable Batteries)

UL Reset Button

Jog Switch
OPTIONAL

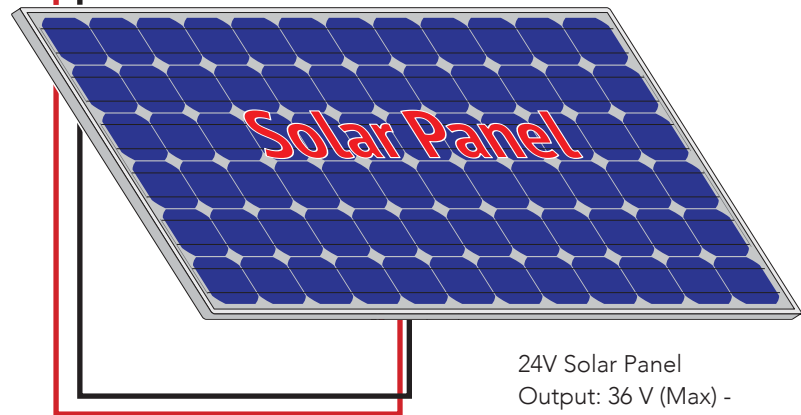
Solar Regulator
24V, 10A
(MORNING STAR)



ON and OFF
Power Supply Switch

Solar Regulator
24V, 10A
(MORNING STAR)

30A
FUSE



24V Solar Panel
Output: 36 V (Max) -
Open Circuit

Wire solar panel terminals to
solar regulator input
Caution: polarity matters



MAX KEYPAD

- Custom durable zinc die cast front door
- Audio help messaging
- LCD for greeting, help and other messages
- Back lit keypad & Light sensor
- Solar ready / low power operation management
- Side LEDs for goose neck applications – to increase nighttime visibility
- Other patent pending features

MAX KEYPAD PORTS:

- Power port 12 Vdc
- Wiegand Port
- Relay port
- Request to Exit (RTE) port
- Each port has indicator LEDs for troubleshooting
- Rotary switch to select device ID of keypad

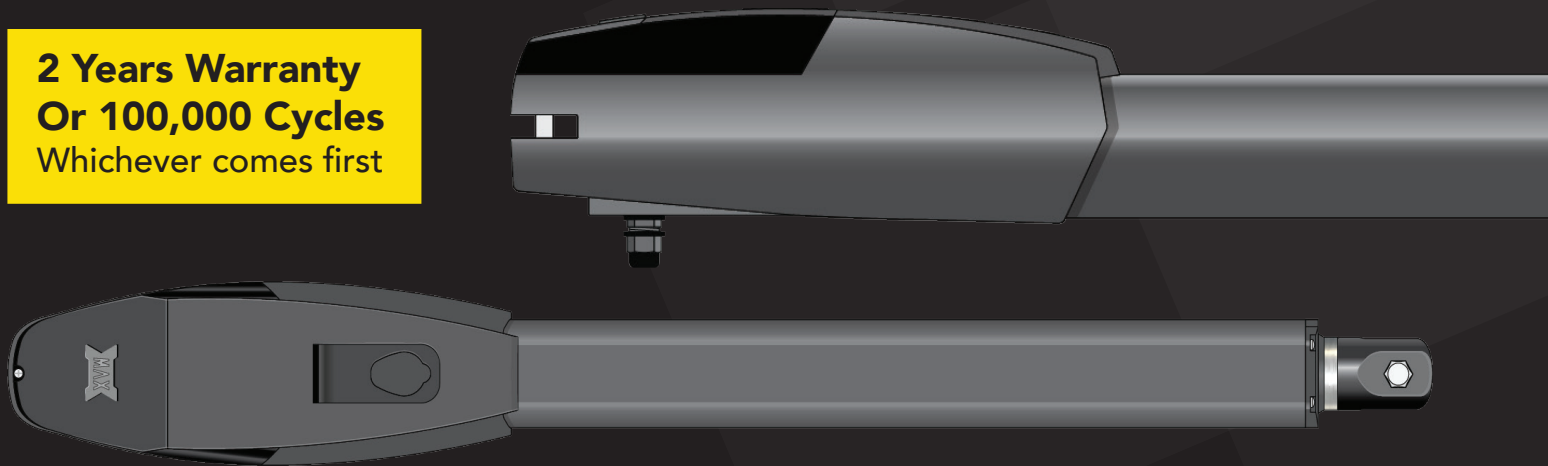


MAX CELL HUB

- Max Cell Hub provides cell connectivity to all Max PRO series pad mt operators and MAX linear actuators for app control
- AT&T or Verizon cell data service. To activate a sim card on our portal, simply choose data plan and credit card info
- Has RS485 comm port - supports up to 16 MAX Keypads, card readers & any other Wiegand devices such as Radio receiver, card reader, transponder
- Each Max Cell Hub has a unique IMEI # that is printed on its side. To setup a Gate Site in Max APP, this IMEI # is programmed.

Max Ultra Arm WARRANTY

**2 Years Warranty
Or 100,000 Cycles**
Whichever comes first



Maximum Controls LLC Warranty and Return Policy

Section I Coverage

- a. 2 years or 100,000 cycles whichever comes first on components
- b. 1 year on batteries

Section II Not Covered

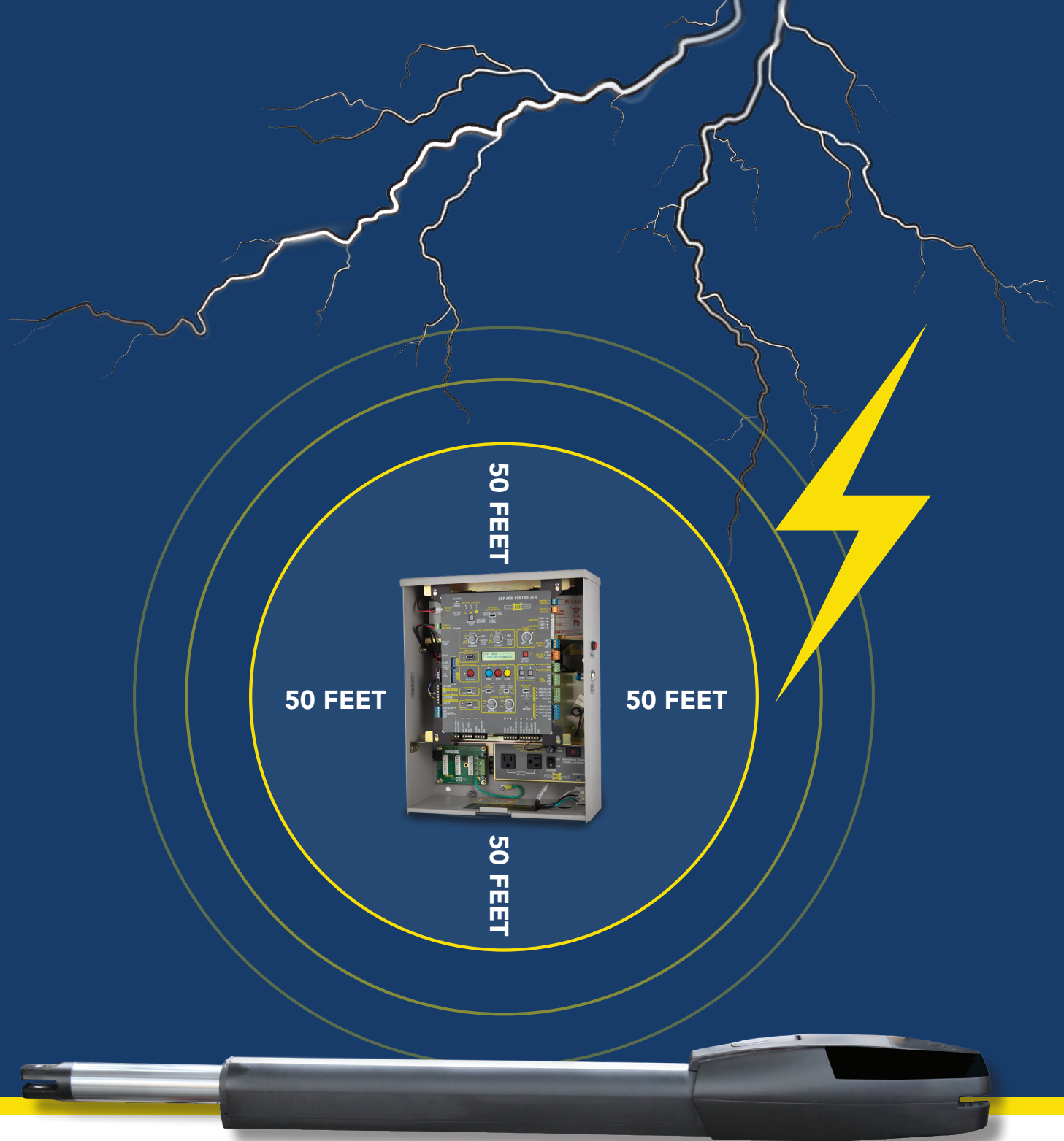
- a. Damages due to flooding
- b. Damages due to fire
- c. Damages due to negligence i.e. leaving the cover off in the rain, improper wiring of AC or peripheral systems
- d. Damages due to product misuse i.e. gate and operator combination mismatch
- e. Damages due to vandalism

Section III RMA Shipping Policy

- a. Maximum Controls LLC will pay for return shipping via standard ground UPS or USPS FOB CA on all RMA's within one year of Distributor's purchase
- b. Any form of "Expedited Shipping" on any RMA will be paid by Distributor

Section IV Product Returns

- a. Products must be in original, resalable condition with all warranty information, manuals, and original packaging.
- b. A re-stock fee of 10% will be charged on all returned products.
- c. All returned products must reference a Maximum Controls RMA number or it will be refused.
- d. Maximum Controls is not responsible for freight charges associated with returned merchandise.

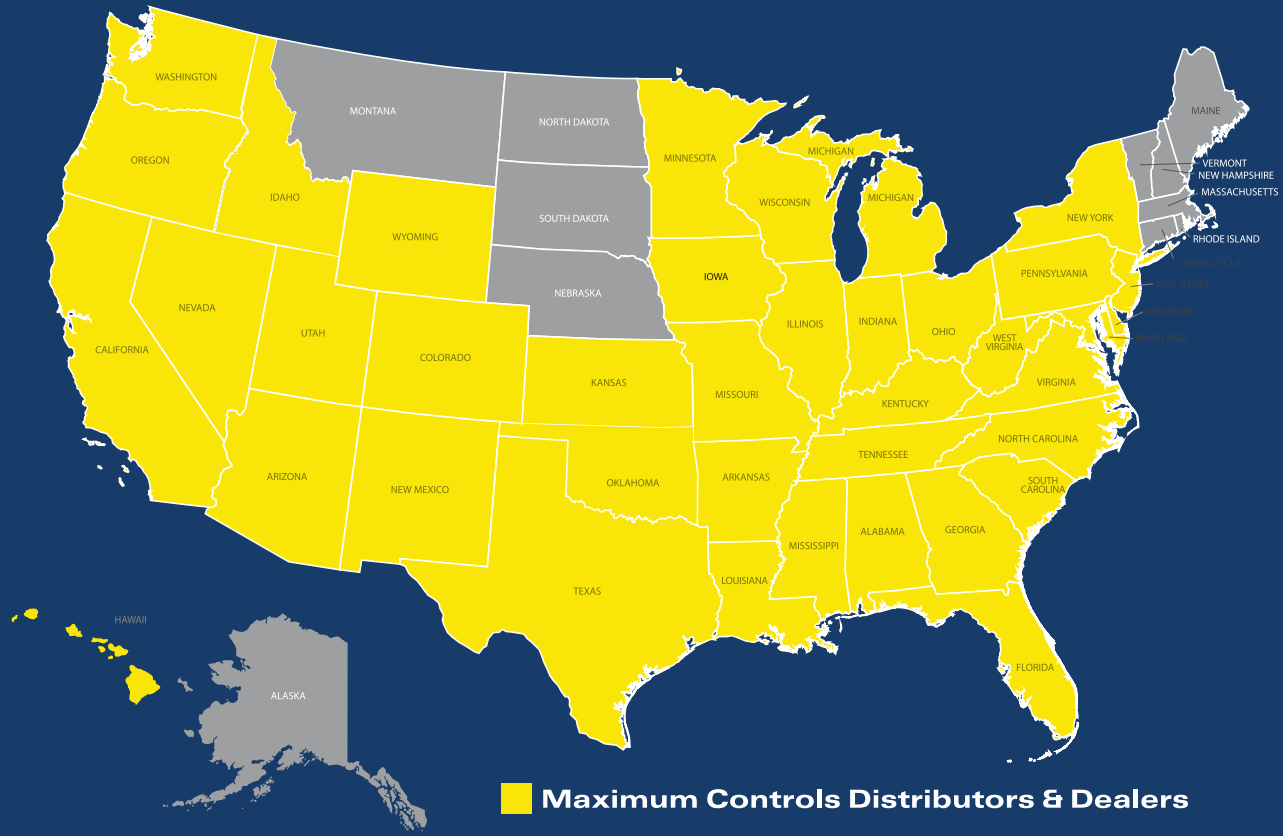


LIGHTNING PROTECTION

The Max Ultra Arm offers the most robust lightning protection available in the industry. The Max Ultra Arm protects all peripheral inputs, loop inputs, power inputs, relay outputs, and all communication lines (over 35 channels of protection) in 1/1,000,000,000 of a second. With special emphasis on power supply protection, the Max Ultra Arm is guaranteed to withstand any lightning hit more than 50 feet away. Truly protected like no other operator in the world.



www.Max.US.com



Maximum Controls LLC
949.699.0220
 10530 Lawson River Ave.
 Fountain Valley CA 92708
 USA

Independent Dealer or Distributor