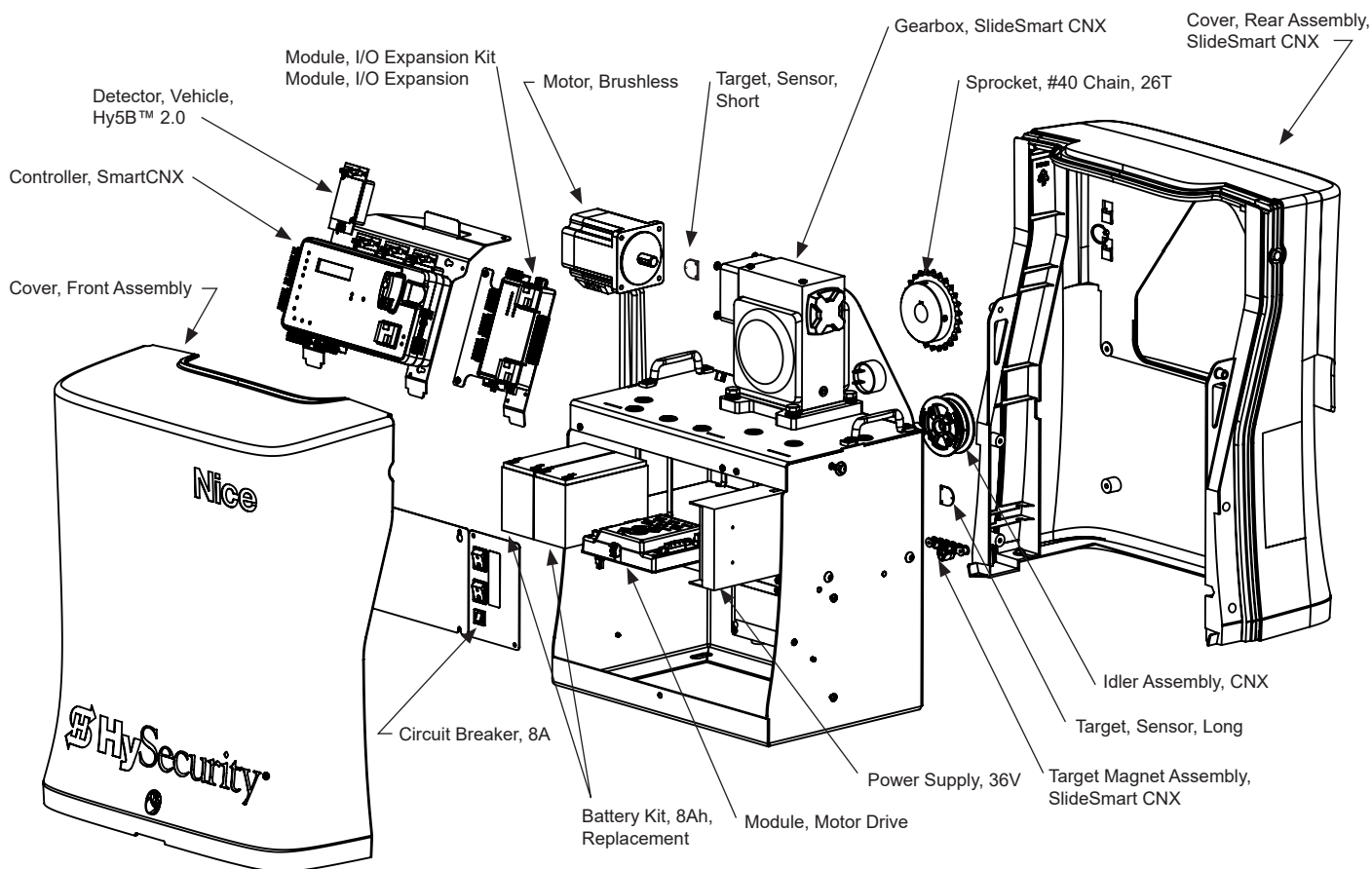




## SlideSmart CNX 15 Chassis, Mechanical & Electrical



This drawing is a representation and should be used for parts reference only.



# SlideSmart™ CNX

## SlideSmart CNX 15 Chassis, Mechanical & Electrical

Part Name	Part Number	SlideSmart CNX Models
Battery Kit, 8Ah, Replacement	MX002008	all
Circuit Breaker, 8A	MX4613	all
Controller, SmartCNX	MX4345	all
Cover, Front Assembly	MX4465	all
Cover, Rear Assembly, SlideSmart CNX	MX4470	all
Detector, Vehicle, Hy5B™ 2.0	MX4621	all
Gearbox, SlideSmart CNX	MX4625	all
Harness, HSP1 COM	MX4330-01	all
Idler Assembly, CNX	MX4280	all
Module, I/O Expansion	MX4347	all
Module, I/O Expansion Kit	MX4410	all
Module, Motor Drive	MX4285	all
Motor, Brushless	MX4617	all
Power Supply, 36V	MX4409	all
Sprocket, #40 Chain, 26T	MX4364	all
Target Magnet Assembly, SlideSmart CNX	MX4430	all
Target, Sensor, Long	MX4329-02	all
Target, Sensor, Short	MX4329-01	all