

**KINGI FRONTIER**

# TM-619

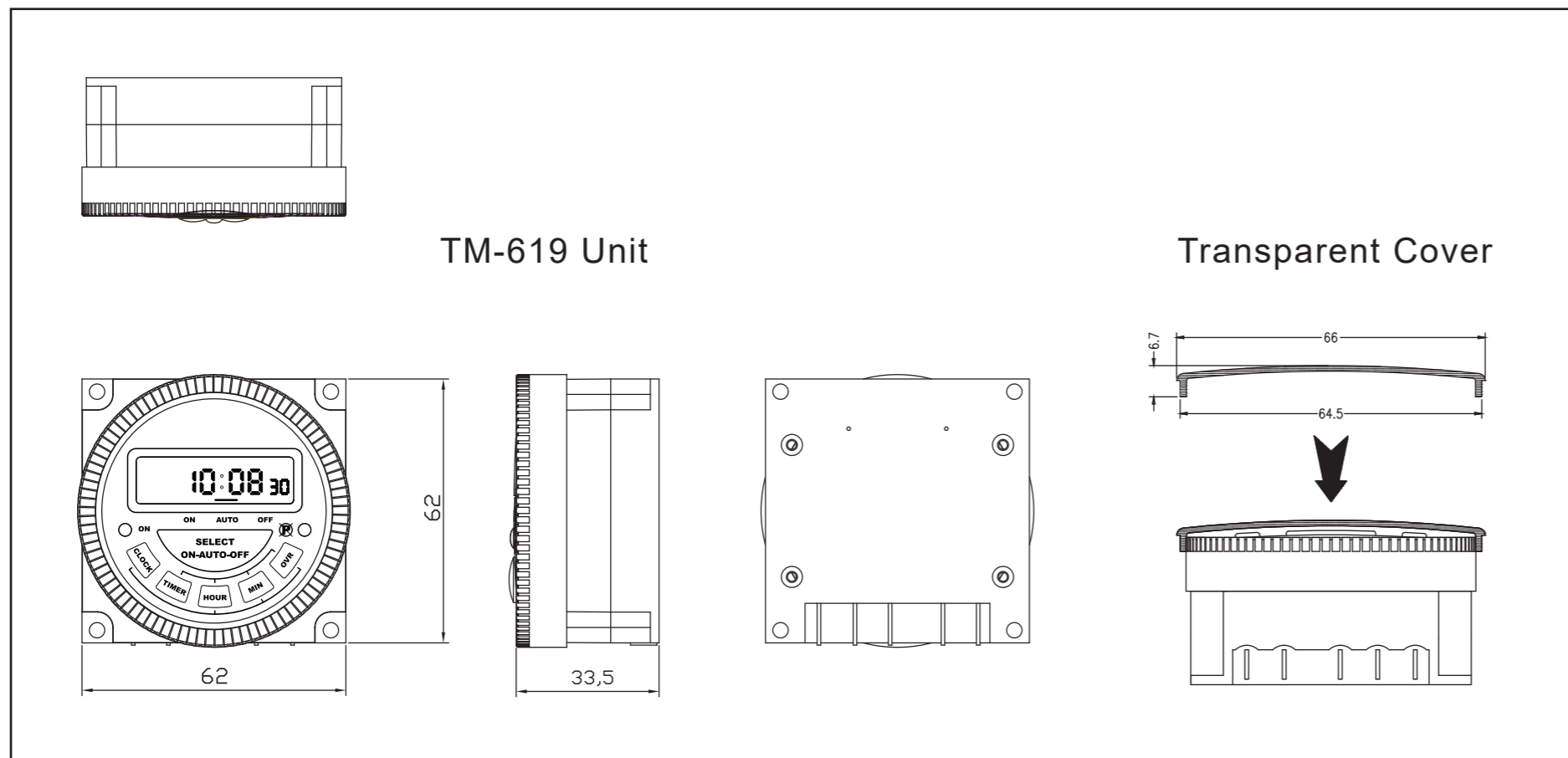
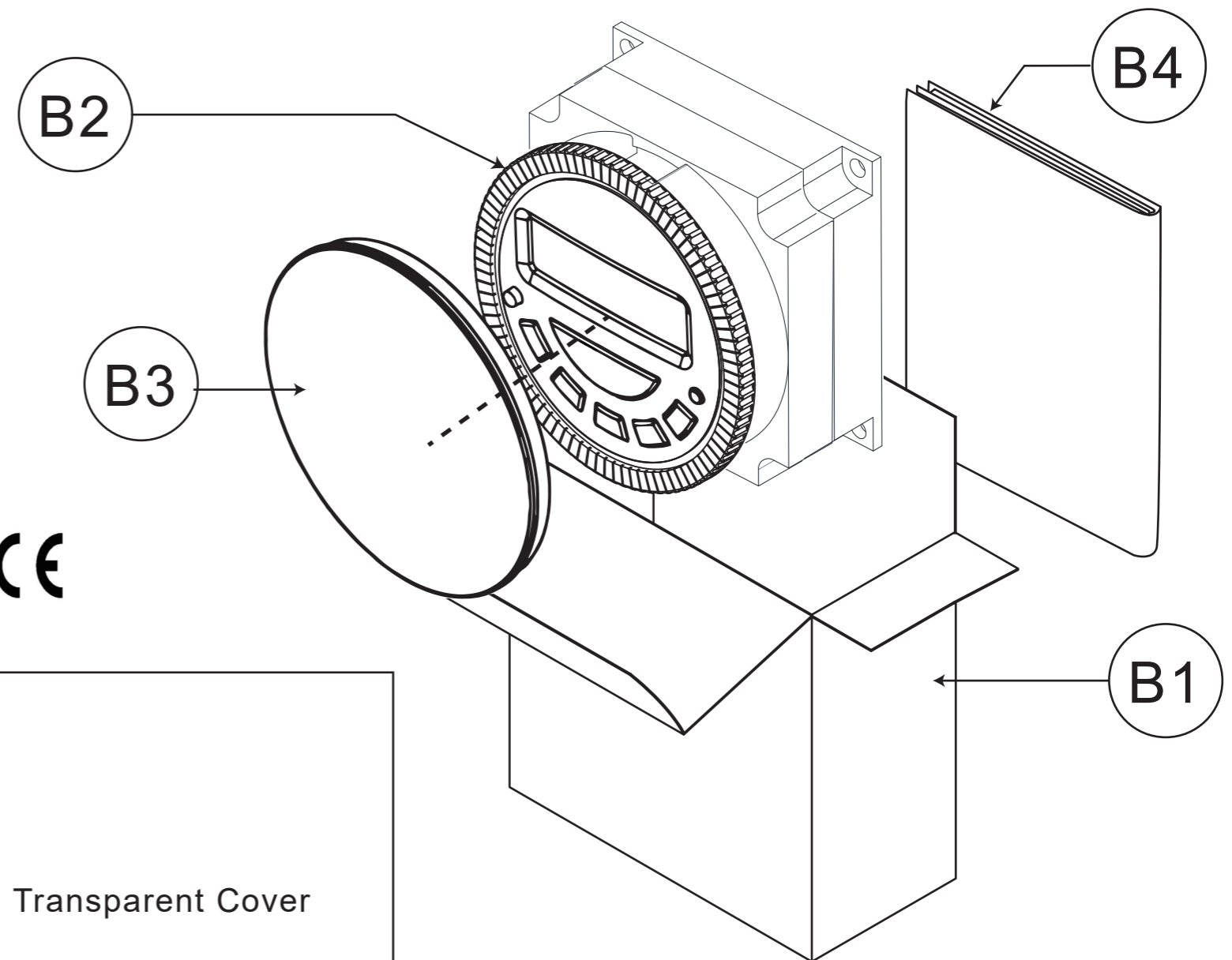
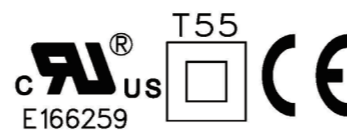
**Features :**

1. One Channel
2. 7D Programming Blocks
3. 8 On / 8 Off
4. Manual On / Off / Auto  
24/12 H Factor def. 24

**Specifications :**

Power supply: 110/240Vac  
12/24Vdc 50/60 Hz

Rating Voltage:  
16A/250V resistive, 8A/250V inductive  
16A/30VDC  
0.5HP/250V or 125V



Numbering	Part	Quantity
B1	White box	1
B2	TM-619 Unit	1
B3	Transparent Cover	1
B4	Manual	1