



# ZLR-UHF-12

Long range proximity card reader

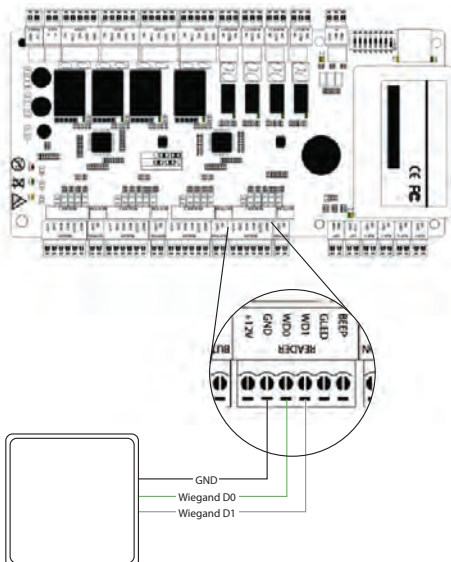


ZLR-UHF-12 is an outdoor IP66-rated long-range 900MHz proximity card reader designed specifically for ZKAccess proximity cards and stickers.

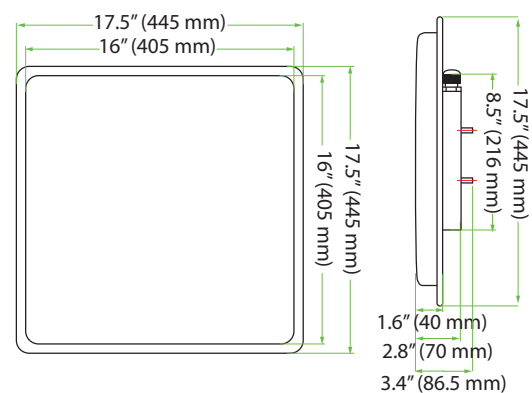
With its 40 feet read-range, ZLR-UHF-12 provides users convenient RFID authentication for many applications including door access, vehicular gate access and any application in which the user no longer needs to have their RFID credential held in close range to the RFID reader.

ZLR-UHF-12 has a built-in Wiegand-Out port which can be connected to most any access control panel (including ZKAccess C3 and InBio door controllers).

## CONFIGURATION



## DIMENSIONS



# SPECIFICATIONS

---

**Technology** Proximity

**Credential** ZKAccess cards and stickers

**Frequency** 902Mhz - 928Mhz and 865MHz - 868MHz

**Range** Up to 40 feet

**Working Mode** Always read (Default)/ Trigger read

**I/O Interface** Supports external trigger

**Material** Die-casting aluminum shell, Antenna panel with engineering plastics

**Color** White

**Indoor & Outdoor Installation** Electronics sealed in a weather resistant epoxy potting

**Keypad** N/A

**Communication Interface** Wiegand 26 (Default) / Wiegand 34, USP

**Power Supply** 9 to 12V DC

**Current** < 3 W (RF output 26dBm, multiple tags)

**IP Rating** 66

**Operating Temperature** -4°F to 140°F

**Operating Humidity** 15% to 90% relative humidity, non-condensing

**Dimensions (HxWxD)** 17.5 x 17.5 x 2.8 inches

**Certifications** FCC, CE

---



1600 Union Hill Rd., Alpharetta GA 30005

Phone: (862) 505 - 2101 Fax: (862) 204 - 5906 sales@zktecousa.com www.zktecousa.com



© Copyright 2019. ZKTeco Inc. ZKTeco Logo and ZKTeco USA Logo have registered trademarks of ZKTeco or a related company.

All other product and company names mentioned are used for identification purposes only and may be trademarks of their respective owners. All specifications are subject to change without notice. All rights reserved.