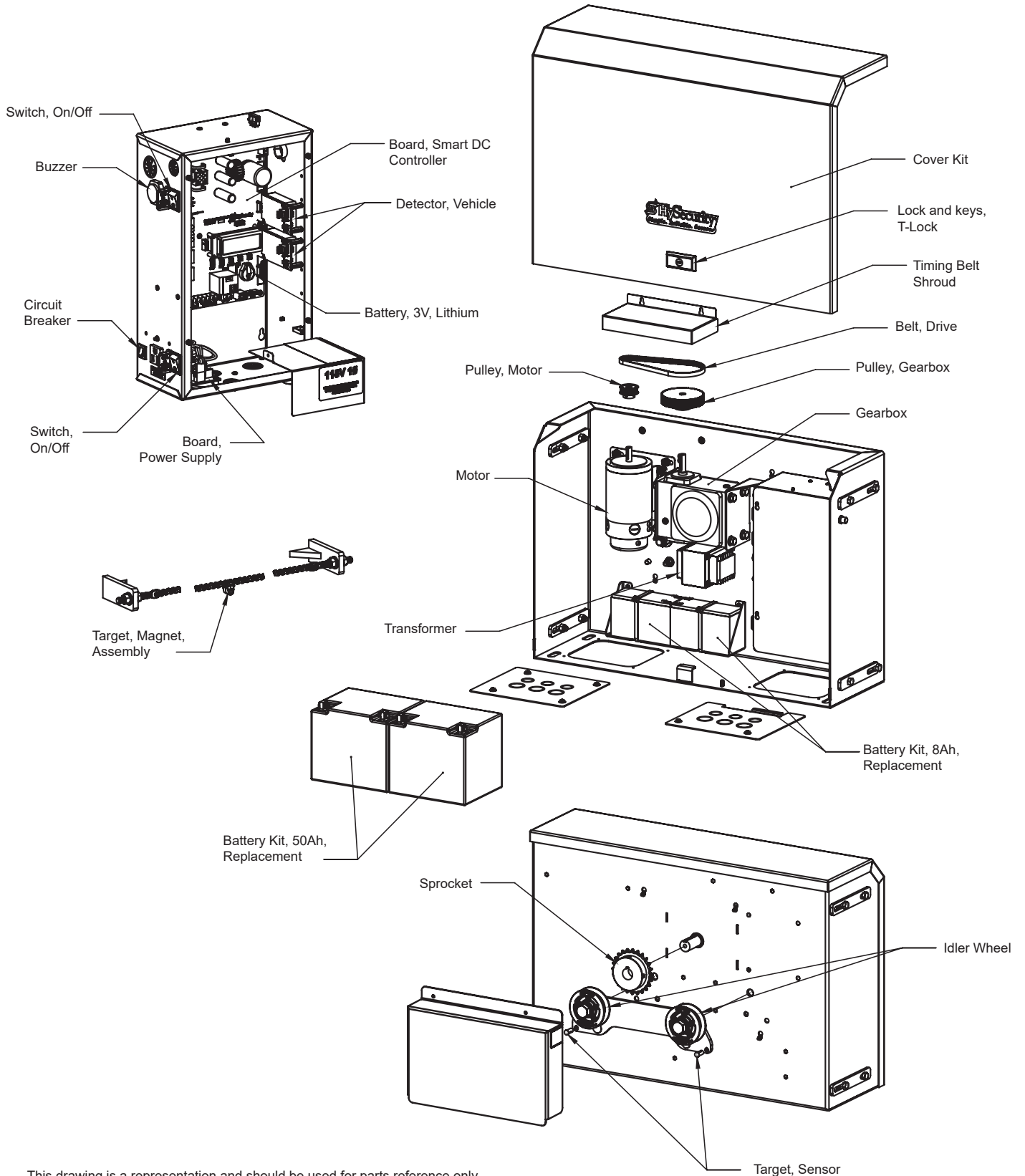




### HD15F, HD25, HD30 Chassis, Mechanical & Electrical



This drawing is a representation and should be used for parts reference only.



### HD15F, HD25, HD30 Chassis, Mechanical & Electrical

Part Name	Part Number	SlideSmart HD Models
Battery Kit, 50Ah, Replacement	MX002013	all
Battery Kit, 8Ah, Replacement	MX002008	all
Battery, 3V, Lithium	MX000346	all
Belt, Drive, SlideSmart DC 15, HD25/30	MX002106	HD25, HD30
Board, Power Supply, 115/230VAC	MX001766	all
Board, Smart DC Controller	MX3037-0	all
Buzzer, Piezo	MX001036	all
Circuit Breaker, 5A	MX3796	all
Conversion Kit, HD30 to HD15F	MX4850	HD30
Cover Kit, SlideSmart HD	MX4306	all
Detector, Vehicle, Hy5B™	MX4125	all
Gearbox, SlideSmart DC	MX002210	all
Idler Wheel, #40 Roller Chain Guide	MX4847	all
Lock and keys, T-Lock	MX000296	all
Motor with sensor, 24VDC, 750W	MX002573	HD15F, HD30
Motor, Electric, 24VDC	MX001995	HD25
Pulley, Gearbox, 60T, 15mm	MX002076	HD25, HD30
Pulley, Motor, 24T, 9 mm	MX001403	HD25, HD30
Reset Switch, Internal	MX002124	all
Sprocket, #40 Roller Chain, 24T	MX4369	HD25, HD30
Sprocket, #40 Roller Chain, 30T	MX002211	HD15F, HD25, HD30
Switch, On/Off	MX001761	all
Target, Magnet, Assembly	MX002087	all
Target, Sensor	MX002085	all
Timing Belt Shroud, SlideSmart HD	MX4311	all
Transformer, 115/208/230VAC	MX002798	all